

The Enclosed Document Is Provided For Your Convenience.

Please Email ALL Questions:

[MailTo:ContractAdministration@TampaGov.net](mailto:ContractAdministration@TampaGov.net)

Please Let Us Know If You Plan To Bid

City of Tampa
Contract Administration Department
306 E. Jackson St. #280A4N
Tampa, FL 33602
(813)274-8456

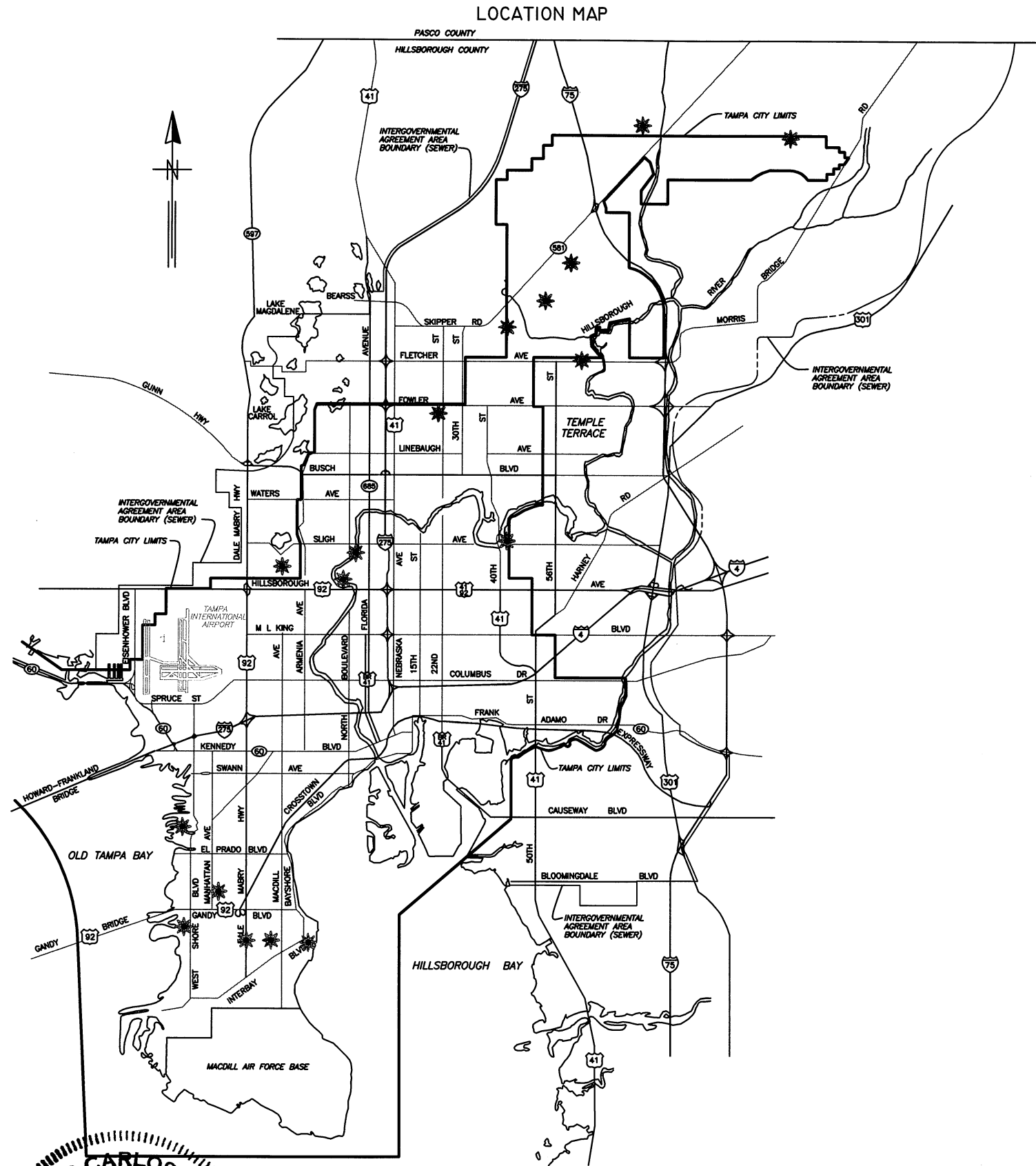
CITY of TAMPA



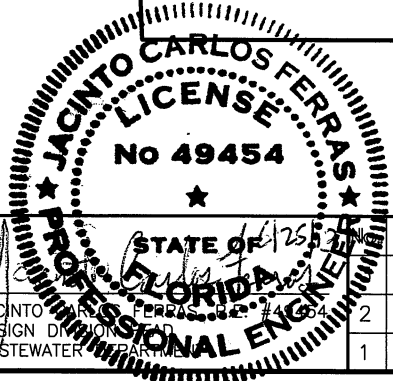
WASTEWATER DEPARTMENT

PLANS FOR MISCELLANEOUS PUMPING STATION REPAIRS

CONTRACT No.
13-C-00016



* = PROJECT LOCATION
(17 PUMPING STATIONS)



User: ssBk Drawing Name: K:\WW_Projects\2012\2012_5935_Various Pumping Station Improvements\DWG\notes and DETAILS.dwg Layout - Jun 25, 2013 - 9:32am CTB - WW.CTB

DATE	REVISIONS
2	
1	

DES: V.T.
DRN: M.R.L.
CKD:
DATE:

CITY of TAMPA
WASTEWATER DEPARTMENT

MISCELLANEOUS PUMPING STATION REPAIRS
COVER SHEET

W.O. 5935
SHEET
1
OF 61

SHERWOOD HEIGHTS P.S.
2600 E. 11TH AVE.

BURKE P.S.
2936 BURKE ST.

EPPS PARK P.S.
317 W. NORTH ST.

RIVER TERRACE P.S.
5700 N. RIVER TERRACE

SUNSET PARK P.S.
4808 S. SUNSET BLVD.

PRICE P.S.
4718 PRICE AVE.

STERLING P.S.
5315 STERLING AVE.

TYSON P.S.
3305 TYSON AVE.

INTERBAY P.S.
5501 INTERBAY

ARBOR GREENE P.S.
10219 ESTUARY DR.

RICHMOND PLACE P.S.
18211 RICHMOND PLACE DR.

TAMPA PALMS P.S.
5803 TAMPA PALMS BLVD.

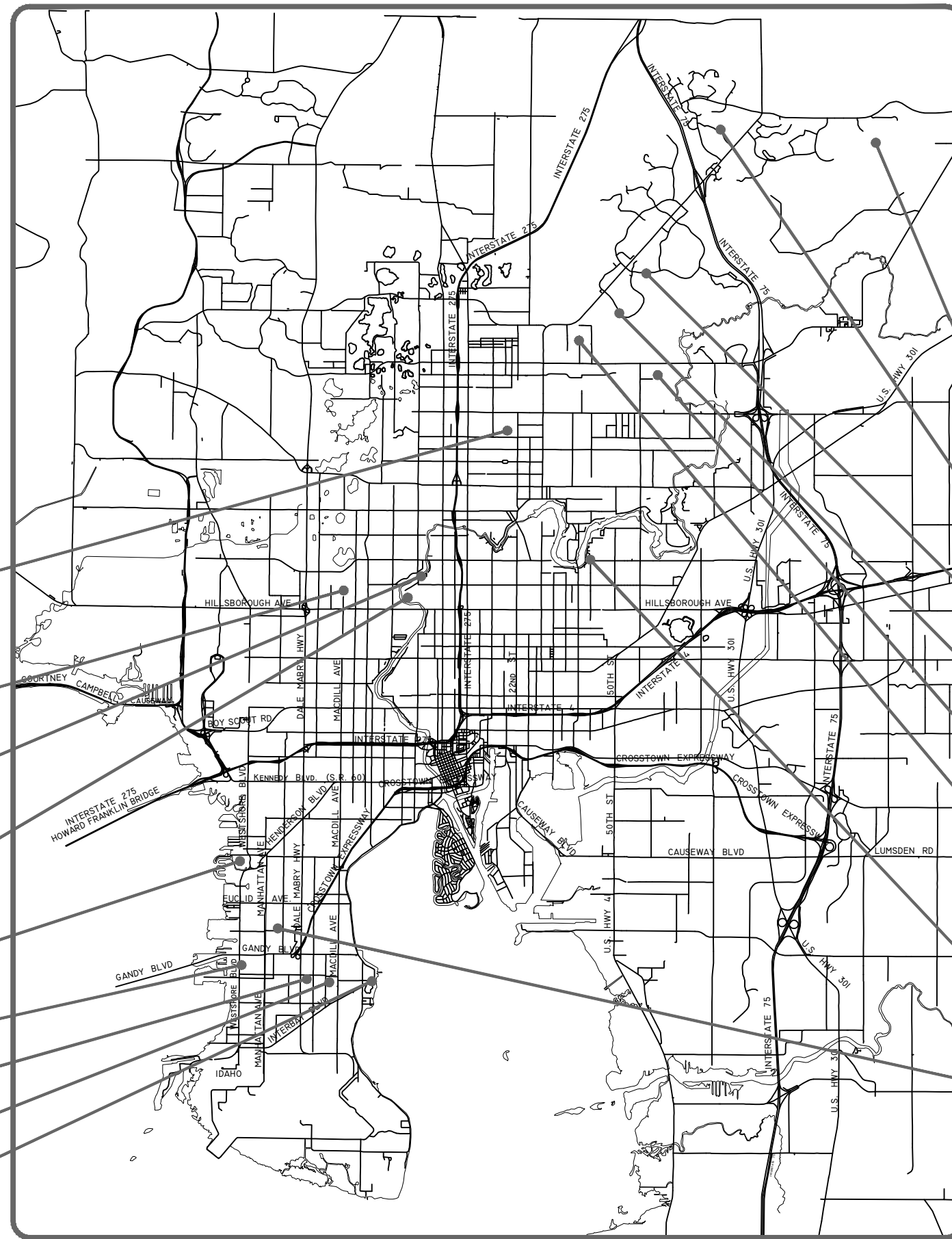
AMBERLY P.S.
15401 I/7 AMBERLY DR.

WILDWOOD ACRES P.S.
(WOODCREST P.S.)
5913 JENNY DR.

UNIVERSITY WOODS P.S.
14220 N. 42ND ST.

SEMINOLE P.S.
1901 E. CRENSHAW ST.

LAWN P.S.
4114 LAWN AVE.



User: ss8k Drawing Name: K:\WW_Projects\2012\2012_5935_Various Pumping Station Improvements\DWG\NOTES AND DETAILS.dwg Layout: Jun 25, 2013 - 8:38am CTB - WM.CTB

JACINTO CARLOS FERRAS, P.E. #49454
DESIGN DIVISION HEAD
WASTEWATER DEPARTMENT

No.	DATE	REVISIONS
3		
2		
1		

DES: V.T.
DRN: M.R.L.
CKD:
DATE:

CITY of TAMPA
WASTEWATER DEPARTMENT

MISCELLANEOUS PUMPING STATION REPAIRS
PUMP STATION MAP

W.O. 5935
SHEET
2
OF 61

GENERAL NOTES:

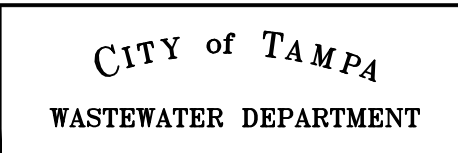
1. EXISTING DIMENSIONS ARE BASED ON THE BEST INFORMATION AVAILABLE. TRUE DIMENSIONS SHALL BE DETERMINED IN THE FIELD BY THE CONTRACTOR.
2. SALVAGEABLE MATERIAL AS DETERMINED BY TREATMENT PLANT PERSONNEL SHALL BE DELIVERED TO THE CITY OF TAMPA'S HOWARD F. CURREN AWTP AT 2700 MARITIME BOULEVARD. NON-SALVAGEABLE MATERIALS ARE TO BE REMOVED FROM FROM THE SITE AND PROPERLY DISPOSED OF AT THE CONTRACTORS EXPENSE. IN GENERAL, ALL ITEMS CONSTRUCTED OF METAL SHALL REMAIN THE PROPERTY OF THE CITY AND SHALL BE DELIVERED TO THE TREATMENT PLANT.
3. ALL HARDWARE SHALL BE 316 STAINLESS STEEL.
4. CONTRACTOR SHALL COORDINATE ALL CONSTRUCTION ACTIVITIES WITH THE PUMP STATION OPERATOR, VIA THE CONTRACT ADMINISTRATION DEPARTMENT PERSONNEL.
5. PLUG VALVES SHALL BE DEZURIK, 100% FULL PORT ECCENTRIC PLUG VALVES (PEF) OR APPROVED EQUAL. THE CITY WILL PROVIDE 12-6" DEZURIK PLUG VALVES (FL-FL). IT IS CONTRACTOR RESPONSIBILITY TO COORDINATE PICK-UP FROM THE TREATMENT PLANT.
6. CHECK VALVES SHALL BE REPLACED USING APCO SERIES 100 RUBBER FLAP CHECK VALVES. THIS ITEM IS STANDARDIZED AT THIS FACILITY AND NO "OR EQUAL" ITEMS WILL BE CONSIDERED.
7. ALL METAL PIPE, FITTINGS, VALVES, ETC. SHALL RECIEVE:
 - A) SHOP COAT - ONE COAT, 4-6 MILS (DRY) TNE MEC N140-1211 EPOXY PRIMER.
 - B) FIELD COAT - ONE COAT, 5-7 MILS (DRY) Tnemec Series 446 Perma-Shield MCU
 - C) FIELD COAT
 - i. ABOVE GRADE: ONE COAT, 4-6 MILS (DRY) TNE MEC 1074U ENDURASHIELD (WITH FACTORY ADDED UV BLOCKER)
 - ii. BELOW GRADE: ONE COAT, 5-7 MILS (DRY) TNE MEC SERIES 446 PERMA-SHIELD MCU
8. PIPE SUPPORTS SHALL BE CONSTRUCTED AS SHOWN ON THE PIPE SUPPORT DETAIL. (SEE DETAIL SHEET)
9. EXISTING DISCHARGE PIPES ARE TO BE REPLACED WITH HDPE (PE4710), SDR11, GREEN STRIPE, AND DIPS OD. HDPE JOINTS SHALL BE BUTT FUSED OR FLANGED WITH 316 SS BACKUP RINGS. HDPE ELECTROFUSION JOINTS WILL BE ALLOWED, BUT ONLY IN THE WET WELL WITHIN 5 FEET FROM THE BOTTOM OF THE TOP SLAB.
10. SHOP DRAWINGS SHALL BE SUBMITTED AND APPROVED BY THE CITY FOR PROPOSED ITEMS. ALL SUBMITTALS AND SHOP DRAWINGS SHALL BE ORIGINALS OR HIGH QUALITY COPIES (EASILY READABLE). NO FAXED SHEETS OR POOR QUALITY COPIES WILL BE ACCEPTED FOR SUBMITTAL REVIEW.
11. AT PIPE PENETRATIONS THROUGH WET WELL, CONTRACTOR SHALL FASTEN LINER TO PROPOSED HDPE PIPE USING 316 STAINLESS STEEL STRAPS OR OTHER METHOD AS APPROVED BY THE ENGINEER (SEE DETAIL SHEET).
12. AFTER WET WELLS ARE DEWATERED, THE CONTRACTOR SHALL CLEAN WET WELLS OF ALL DEBRIS. DEBRIS MAY BE DELIVERED AND DISPOSED OF AT THE CITY OF TAMPA HOWARD F. CURREN AWTP, 2700 MARITIME BOULEVARD.
13. OSHA STANDARD SAFETY EQUIPMENT SUCH AS SAFETY HARNESSSES, GAS MONITORS, LOWER EXPLOSIVE LIMIT (LEL) DETECTORS, BREATHING APPARATUS, ETC. SHALL BE UTILIZED WHERE THE WORK DICTATES THEIR USE (SEE SAFETY SPECIFIC PROVISION).
14. DURING THE REHABILITATION PROCESS, THE STRUCTURE SHALL BE ADEQUATELY VENTILATED AND HYDROGEN SULFIDE LEVELS SHALL BE CONTINUOUSLY MONITORED. THE CONTRACTOR MAY ALSO UTILIZE FORCED AIR.
15. TESTING OF THE NEW DISCHARGE PIPES WILL BE ACCOMPLISHED BY OPERATING EACH PUMP FOR A MINIMUM 2 HOUR DURATION AND OBSERVING FOR ANY LEAKS. ANY MANUAL PUMP OPERATION OR SWITCHING PUMPS MUST BE PERFORMED BY CITY PERSONNEL.
16. NORMAL WORKING HOURS SHALL BE WEEKDAYS FROM 7:30 AM TO 4 PM UNLESS OTHERWISE APPROVED BY THE ENGINEER/INSPECTOR.
17. ALL DUCTILE IRON PIPE AND FITTINGS SHALL BE LINED USING PROTECTO 401 EPOXY.
18. DISTURBANCE TO ANY PROPERTY, PUBLIC OR PRIVATE, WITHIN THE RIGHT-OF-WAY SHALL BE RESTORED TO ORIGINAL OR BETTER CONDITION. ALL DISTURBED OR DAMAGED PLANTS OR TREES TO BE REPLACED IN KIND.
19. CONTRACTOR SHALL SUPPLY (2) SOUND ATTENUATED DIESEL BY-PASS PUMPS (1 PRIMARY AND 1 BACKUP), EACH CAPABLE OF DELIVERING THE REQUIRED FLOW RATE AT GIVEN TDH (SEE TABLE) PLUS ANY LOSSES PRODUCED IN THE TEMPORARY BY-PASS PIPING (SEE PLAN SHEET FOR SUCTION AND DISCHARGE LOCATIONS). ELECTRIC PUMP(S) MAY BE UTILIZED IN LIEU OF DIESEL PUMP(S). IT'S THE CONTRACTOR'S RESPONSIBILITY TO COORDINATE THE TEMPORARY ELECTRICAL SERVICE WITH TAMPA ELECTRIC COMPANY (TECO) AND PAY ALL ASSOCIATED COSTS. CONTRACTOR SHALL SUBMIT BYPASS PUMPING PLAN TO THE ENGINEER FOR APPROVAL FOR EACH PUMPING STATION.
20. THE CONTRACTOR MUST INSTALL ALL COMPONENTS NECESSARY FOR BYPASS WITHIN A SHUTDOWN WINDOW OF 2 HOURS DURING LOW FLOW PERIOD (I.E. NIGHT). FLOW THROUGH PLUG INSTALLATION MAY REQUIRE INSTALLATION OF A TEMPORARY UPSTREAM PLUG.
21. CONCRETE SLAB SHALL BE 6-INCH THICK, 4,000 PSI (28 DAYS) CONCRETE AND RE-INFORCED WITH WIRE MESH (6 GAUGE 4"x4" WWF).
22. FIBERGLASS MANHOLE SHALL BE RATED FOR H-20 TRAFFIC LOADING AND MANUFACTURED IN ACCORDANCE WITH ASTM D-3753.
23. TAPPING SADDLES SHALL BE EPOXY LINED STEEL AND GATE (TAPPING) VALVES SHALL BE SERIES 2500 RESILIENT WEDGE GATE VALVES AS MANUFACTURED BY AMERICAN OR APPROVED EQUAL.
24. THERE ARE MULTIPLE LOCATIONS WHERE THE EXISTING CONCRETE SUPPORTS ARE TO REMAIN AND THE PIPE, VALVE OR FITTINGS THAT IT SUPPORTS WILL BE REPLACED. CONTRACTOR SHALL MODIFY THESE SUPPORTS AS NECESSARY TO SUIT NEW PIPE, VALVE OR FITTING (I.E. CHIPPING CONCRETE, NON-SHRINK GROUT APPLICATION, ETC.).
25. ALUMINUM ACCESS COVER SHALL BE HALLIDAY OR APPROVED EQUAL. ACCESS COVER SHALL HAVE STAINLESS STEEL HARDWARE AND SHALL BE RATED FOR A LIVE LOAD OF 150 PSF.
26. ALL BACKFILL SHALL BE COMPACTED TO 98% MODIFIED PROCTOR.
27. FLOWABLE FILL SHALL BE AN "EXCAVATABLE" TYPE AND PLACED IN ACCORDANCE WITH FDOT SPECIFICATION SECTION 121.
28. CONTRACTOR SHALL FURNISH AND INSTALL ONE FLOW METER AT WILDWOOD ACRES PUMPING STATION. CONTRACTOR SHALL INSTALL new FLYGT pumps AND PUMP BASES at River Terrace and Tyson PS(S), which will be furnished by the City. The electrical connections to the flow meter and new pumps will be performed by City forces.
29. Contractor will be responsible for the removal and reinstallation of the existing pumps. City forces will perform the necessary electrical disconnections and reconnections. Contractor shall provide the City a minimum 2 days notice of when this work is required.
30. Contractor is responsible for securing all equipment and materials that are to be reused at each PUMPING STATION location (I.E. pumps, brackets, etc.). The contractor shall replace any loss or damageD equipment that is to be reused at his expense and no payment shall be made for such.
31. CONTRACTOR SHALL HAVE ALL BYPASS EQUIPMENT AND MATERIALS BEFORE BEGINNING BYPASS OPERATIONS AT THE PUMPING STATION. A 72 HOURS NOTICE IS REQUIRED, PRIOR TO start BYPASS OPERATION.
32. SOME PUMPING STATION(S) HAVE CHEMICAL FEED FOR ODOR CONTROL. THE CHEMICAL FEED DISCHARGE LOCATIONS WILL NEED TO BE TEMPORARY RELOCATED DURING THE BYPASS OPERATION AND RESTORED AFTER COMPLETION. CONTRACTOR SHALL COORDINATE THIS WORK WITH THE CITY.

INDEX	
SHEET NUMBER	DESCRIPTION
1	COVER SHEET
2	PUMP STATION MAP
3	NOTES AND INDEX
4	SUMMARY
5 - 7	AMBERLY PUMP STATION
8 - 10	ARBOR GREEN PUMP STATION
11 - 13	BURKE STREET PUMP STATION
14 - 16	EPPS PARK PUMP STATION
17 - 19	INTERBAY PUMP STATION
20 - 24	LAWN PUMP STATION
25 - 27	PRICE PUMP STATION
28 - 30	RICHMOND PLACE PUMP STATION
31 - 33	RIVER TERRACE PUMP STATION
34 - 36	SEMINOLE PUMP STATION
37 - 39	SHERWOOD HEIGHTS PUMP STATION
40 - 42	STERLING PUMP STATION
43 - 45	SUNSET PARK PUMP STATION
46 - 48	TAMPA PALMS PUMP STATION
49 - 51	TYSON PUMP STATION
52 - 54	UNIVERSITY WOODS PUMP STATION
55 - 57	WILDWOOD ACRES PUMP STATION
58 - 61	PUMP STATION DETAILS

User: ss8k Drawing Name: K:\WWL\Projects\2012\2012_5935_Various Pumping Station Improvements\DWG\NOTES AND DETAILS.dwg Layout: Jun 25, 2013 - 8:38am CTB - WM.CTB

No.	DATE	REVISIONS
3		
2		
1		

DES: V.T.
 DRN: M.R.L.
 CKD:
 DATE:



MISCELLANEOUS PUMPING STATION REPAIRS
 NOTES AND INDEX

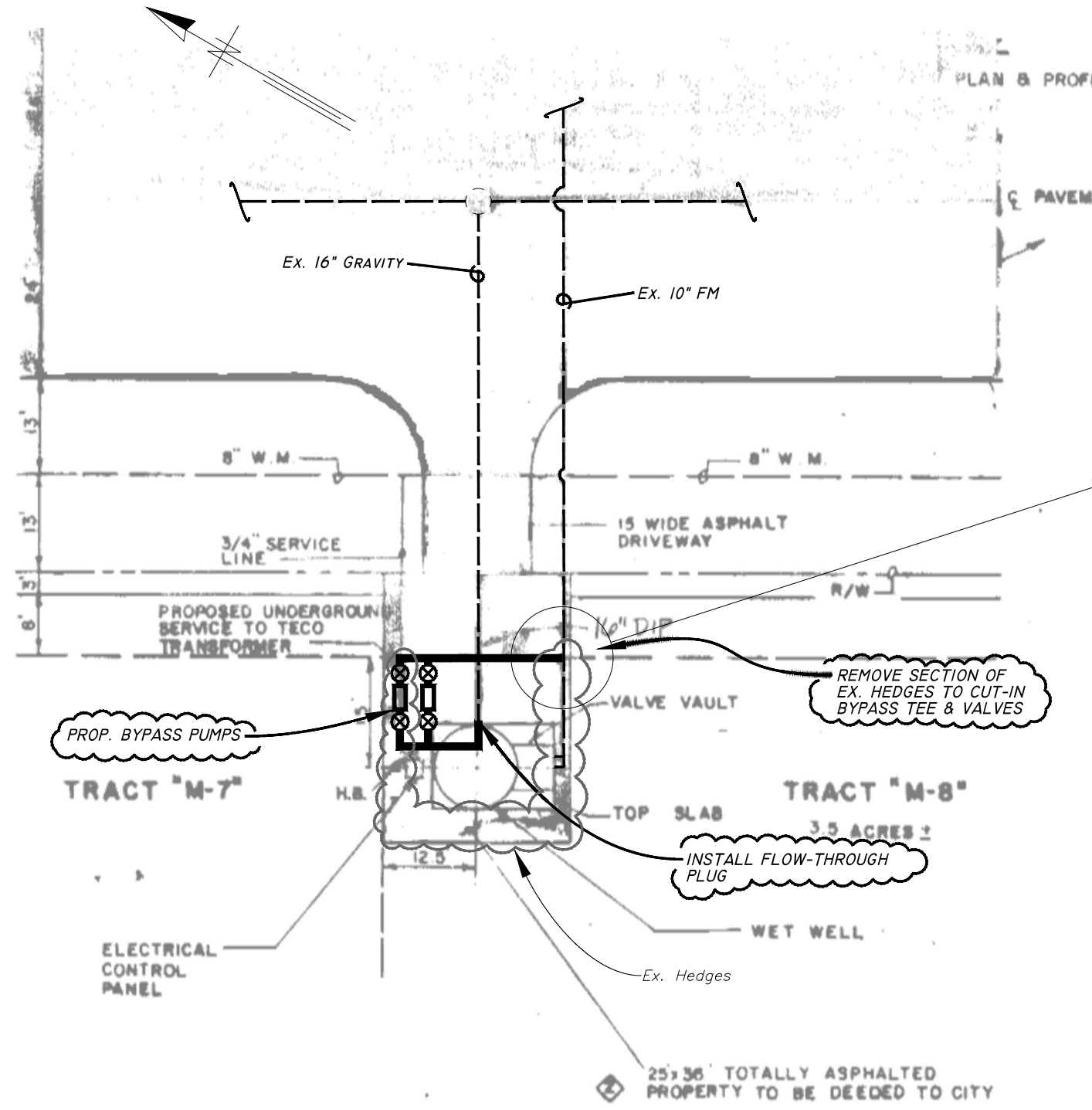
Pump Station	Req'd Bypass Flow Rate (gpm)	Total Dynamic Head (ft)	Base Size (in)	Riser Size (in)	Valve Size (in)	Wetwell Bottom Elevation (ft)	Center Pipe Discharge of Elevation (ft)	Existing By-Pass Tee (in x in)	Pump Model	Force Main Size (in)	Proposed Valve Assembly Location	ITEMS*
Amberly	800	73	6	8	8	13.32	32.00	8x8	Flygt: 3152.181	10	Vault	Check Valves, Plug Valves, Risers, Pump Bases, Bypass Tee, Guide Rails, Upper and Intermediate Brackets
Arbor Greene	500	120	4	6	6	23.80	45.00	6x6	Fairbanks & Morse: 5433MV	8	Vault	Check Valves, Plug Valves, Risers, Pump Bases, Bypass Tee, Guide Rails, Upper and Intermediate Brackets
Burke	2300	129	8	10	10	16.00	35.54	8x6	KSB: 200/400/456	10	N/A	Risers, Pump Bases, Guide Rails, Upper and Intermediate Brackets
Epps Park	300	36	4	4	4	-5.16	1.30	4x4	Flygt: CP3102	6	Vault	Risers, Pump Bases, Check Valves, Plug Valves, bypass Tee, Guide Rails, Upper and Intermediate Brackets
Interbay	300	46	4	4	4	-13.12	6.01	4x4	Flygt: NP3102.185	6	Vault	Risers, Pump Bases, check valves, plug valves, bypass Tee, Guide Rails, Upper and Intermediate Brackets
Lawn	500	58	6	6	6	-3.77	5.35	6x6	KSB: KRTUF100-250/114	6	Above Ground	Check Valves, Plug Valves, Risers, Pump Bases, Bypass Tee, Replace bubbler tube & flange, Coat Wet Well, Guide Rails, Upper and Intermediate Brackets; Fill existing valve vault and install drain (see detail sheet)
Price	300	38	4	4	4	-12.51	2.67	4x4	Flygt: 3101	6	Above Ground	Risers, Pump Bases, Check Valves, Plug Valves, Bypass Tee, Guide Rails, Upper and Intermediate Brackets; Remove ex. vault cover & frame; Fill in ex. Valve vault and install drain(see detail sheet)
Richmond Place	700	160	6	8	8	18.46	44.88	8x8	ABS: AFP1501-M630/4	10	Vault	Check Valves, Plug Valves, Risers, Pump Bases, proposed Bypass Tee just outside of valve vault, Guide Rails, Upper and Intermediate Brackets
River Terrace	300	58	(new)** 4	4	4	-14.70	3.27	4x4	(new)** Flygt: CP3127.181	6	Vault	Risers, Check Valves, Plug Valves, Bypass Tee, Guide Rails, Upper and Intermediate Brackets; City provide new Flygt pumps and Pump Bases
Seminole	100	15	4	4	4	-3.05	10.55	4x4	Flygt: 3085	4	N/A	Risers, Pump Bases, Guide Rails, Upper and Intermediate Brackets
Sherwood Heights	350	80	6	6	6	14.77	25.72	6x6	Flygt: C3152.181	6	N/A	Risers, Pump Bases, Safety Rail, Concrete slope in wet well, Guide Rails, Upper and Intermediate Brackets
Sterling	200	12	4	4	4	-0.59	10.45	4x4	Flygt: 3085	6	Above Ground	Risers, Pump Bases, Check Valves, Plug Valves, Bypass Tee, Coat Wet Well, Chain Link Fence, Guide Rails, Upper and Intermediate Brackets; Fill in ex. valve vault and install drain (see detail sheet)
Sunset Park	500	32	6	6	6	-12.47	2.69	6x6	Flygt: 3127	6	Vault	Risers, Pump Bases, Check Valves, Plug Valves, Valve support, Bypass Tee, Guide Rails, Upper and Intermediate Brackets
Tampa Palms	880	56	8	8	8	11.46	35.00	8x8	Flygt: C3152.181	8	Vault	Check Valves, Plug Valves, Risers, Pump Bases, Fix section of T-Lock in Wet Well, Guide Rails, Upper and Intermediate Brackets
Tyson	300	21	4	6	6	0.03	9.41	6x6	(new)** Flygt: NP3102.181	6	Vault	Risers, Check Valves, Plug Valves, Bypass Tee, Guide Rails, Upper and Intermediate Brackets; City provide new Flygt pumps and Pump Bases.
University Woods	300	72	4	6	6	26.80	39.75	6x6	Flygt: 3126	6	Vault	Check Valves, Plug Valves, Risers, Pump Bases, Bypass Tee, Replace existing valve vault covers, Guide Rails, Upper and Intermediate Brackets
Wildwood Acres (Woodcrest)	300	97	6	6	6	18.65	29.05	6x6	Flygt: CP3152.181	6	Above Ground	Check Valves, Plug Valves, Risers, Pump Bases, Bypass Tee, Magnetic Flow Meter, Guide Rails, Upper and Intermediate Brackets; Fill in ex. valve vault and install drain (see detail sheet)

*REFER TO PLANS FOR COMPLETE SCOPE OF PROPOSED WORK

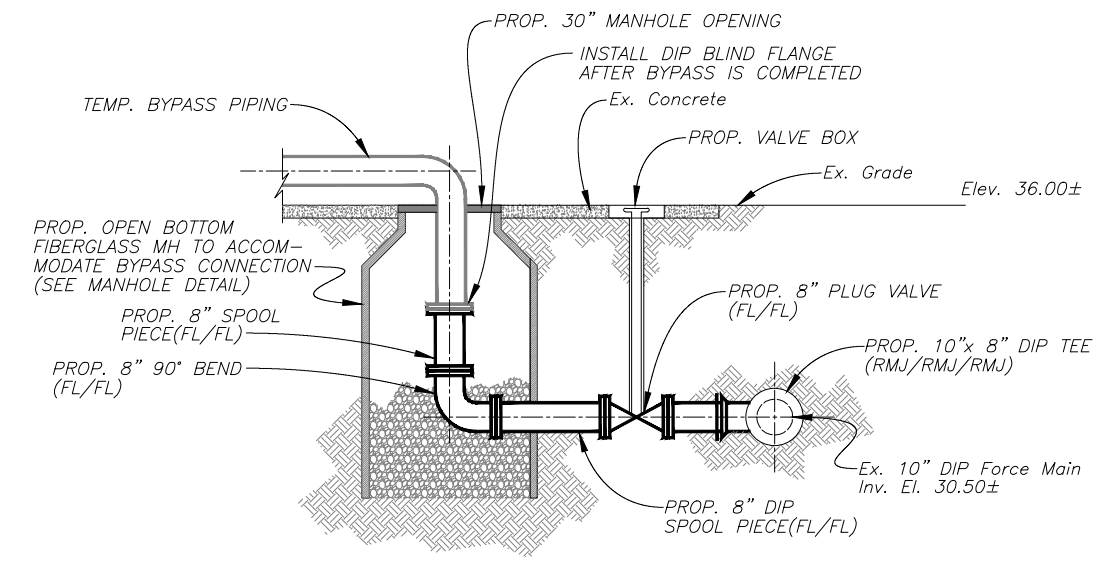
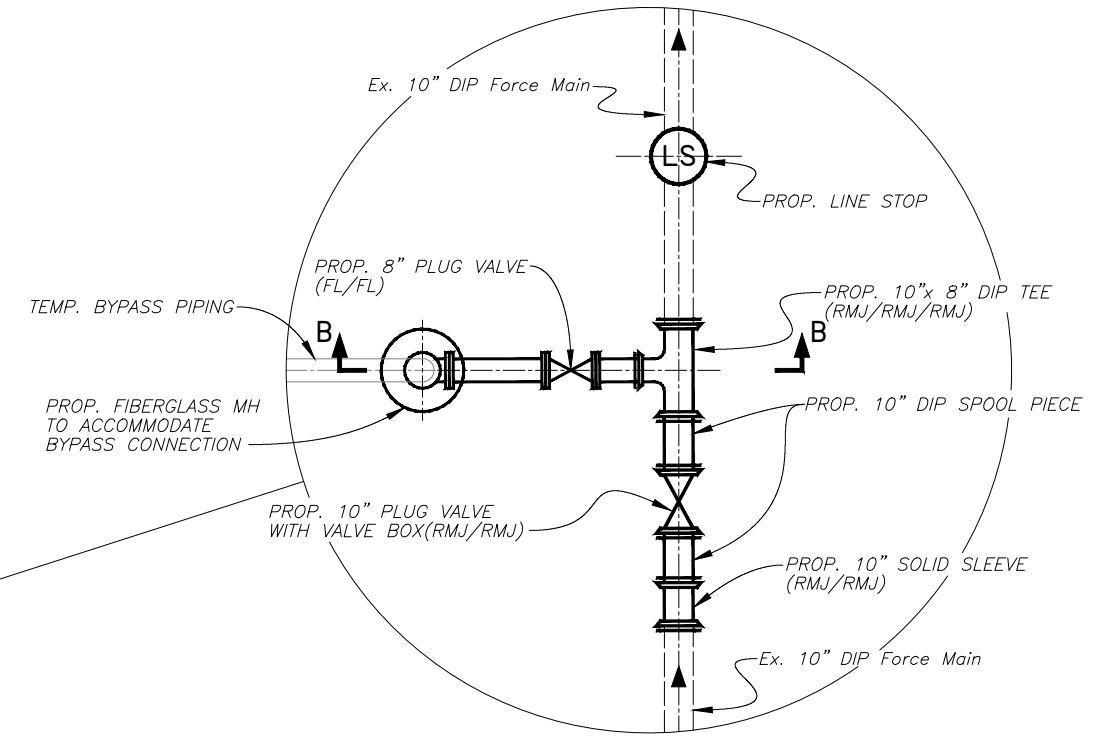
** CITY TO FURNISH NEW PUMPS AND BASES

User: ss8k Drawing Name: K:\WW_Projects\2012\5935_Various Pumping Station Improvements\DWG\NOTES AND DETAILS.dwg Layout: Jun 25, 2013 - 8:38am CTB - WW.CTB

JACINTO CARLOS FERRAS, P.E. #49454 DESIGN DIVISION HEAD WASTEWATER DEPARTMENT	No.	DATE	REVISIONS	DES: V.T.	CITY of TAMPA WASTEWATER DEPARTMENT	MISCELLANEOUS PUMPING STATION REPAIRS SUMMARY	W.O. 5935
	3			DRN: M.R.L.			SHEET
	2			CKD:			4
	1			DATE:			OF 61



SITE PLAN
NOT TO SCALE



SECTION B-B
NOT TO SCALE

User: ss6k Drawing Name: K:\MW_Projects\2012\2012_5935_Various Pumping Station Improvements\DWG\5935-Amberly P.S.dwg Layout- Jun 21, 2013 - 3:55pm

No.	DATE	REVISIONS
3		
2		
1		

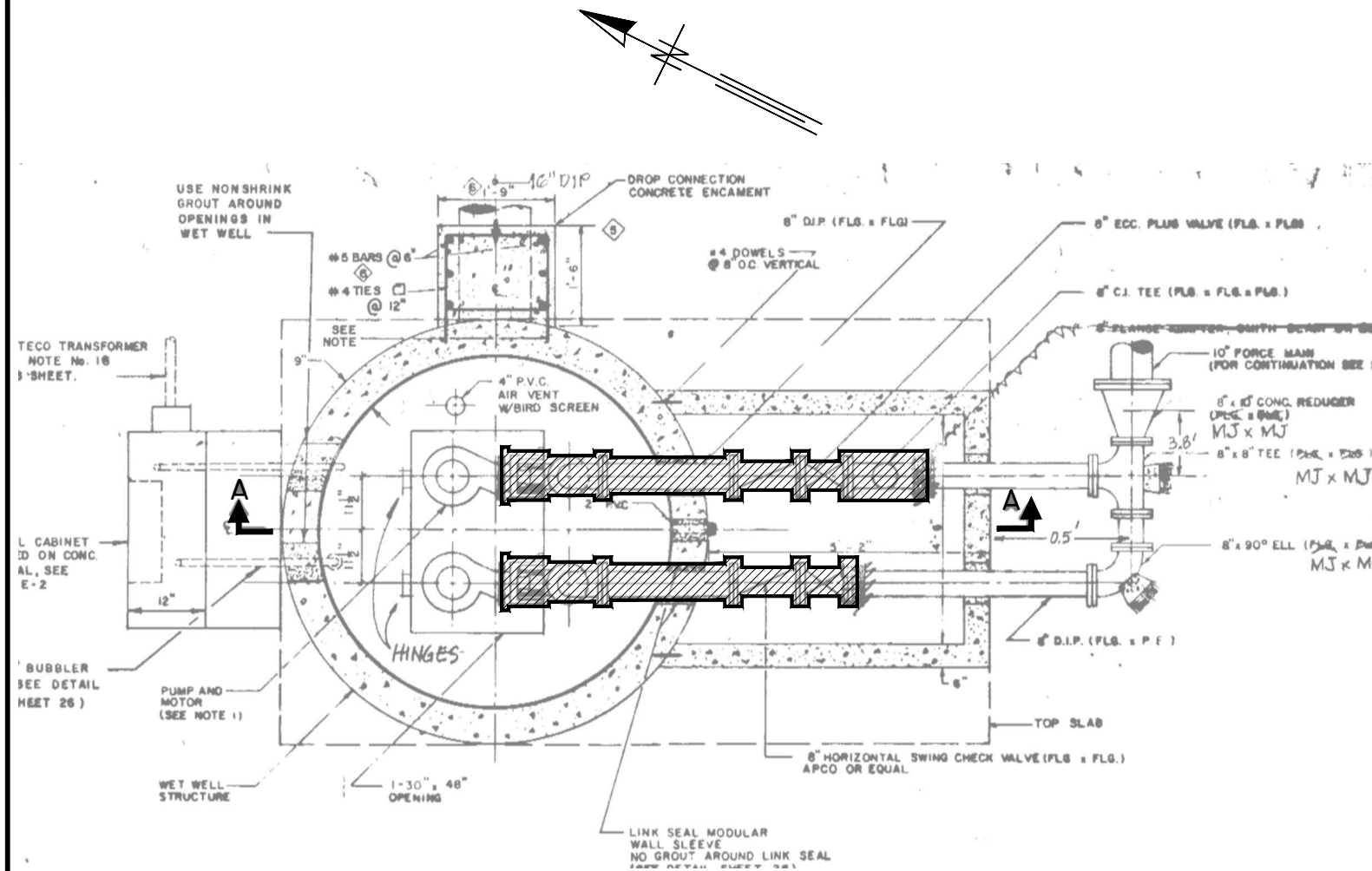
DES: V.T.
DRN: BB
CKD:
DATE:

CITY of TAMPA
WASTEWATER DEPARTMENT

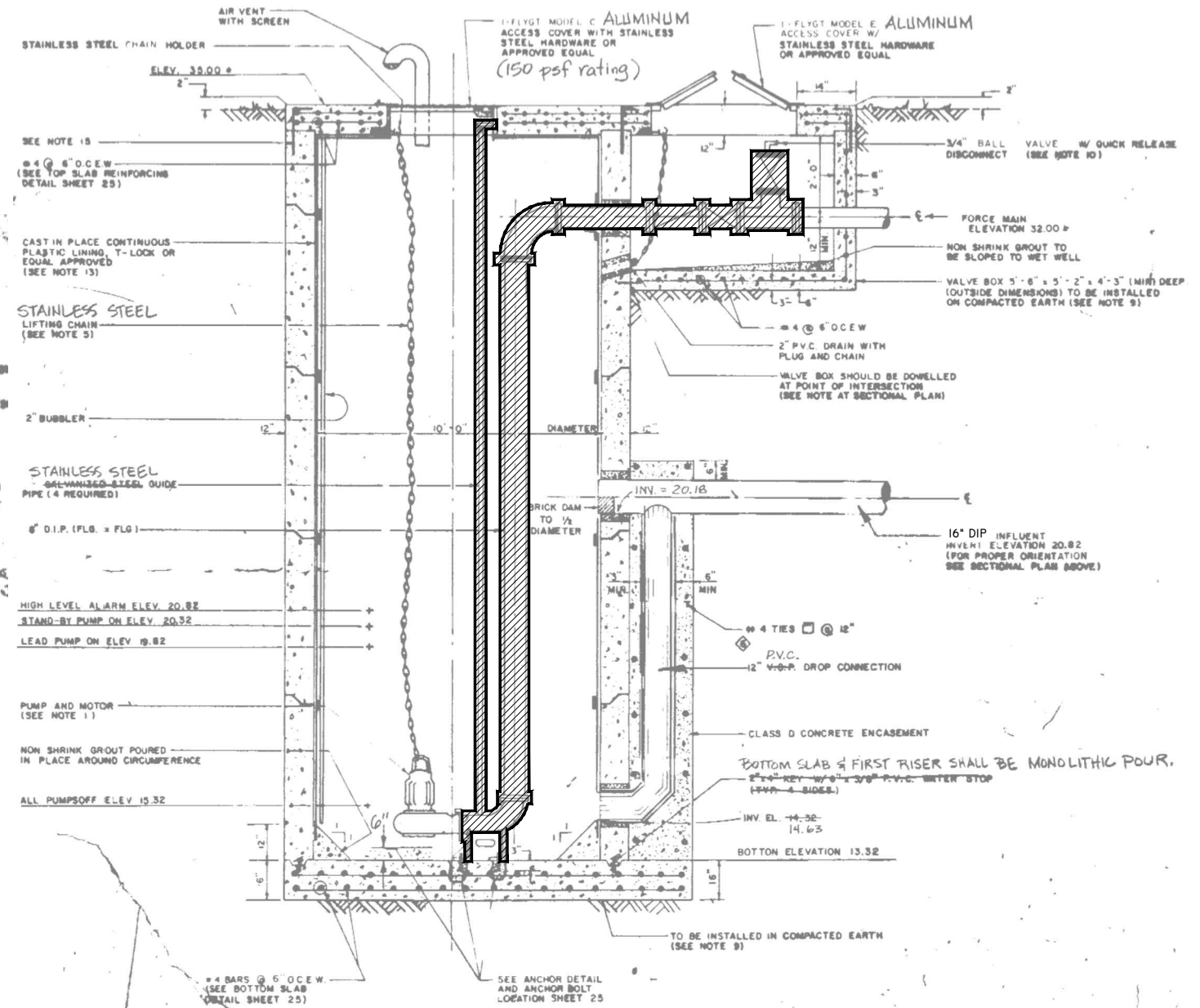
MISCELLANEOUS PUMPING STATION REPAIRS
AMBERLY PUMPING STATION - SITE PLAN

W.O. 5935
SHEET
5
OF 61

HATCHED AREAS ON THIS SHEET INDICATE PIPING FITTINGS AND VALVES TO BE REMOVED



SECTIONAL PLAN
NOT TO SCALE



SECTION A-A
NOT TO SCALE

User: ss8k Drawing Name: K:\MW_Projects\2012_5935_Various Pumping Station Improvements\DWG\5935-Amberly P.S.dwg Layout- Jun 21, 2013 - 3:35pm

No.	DATE	REVISIONS
3		
2		
1		

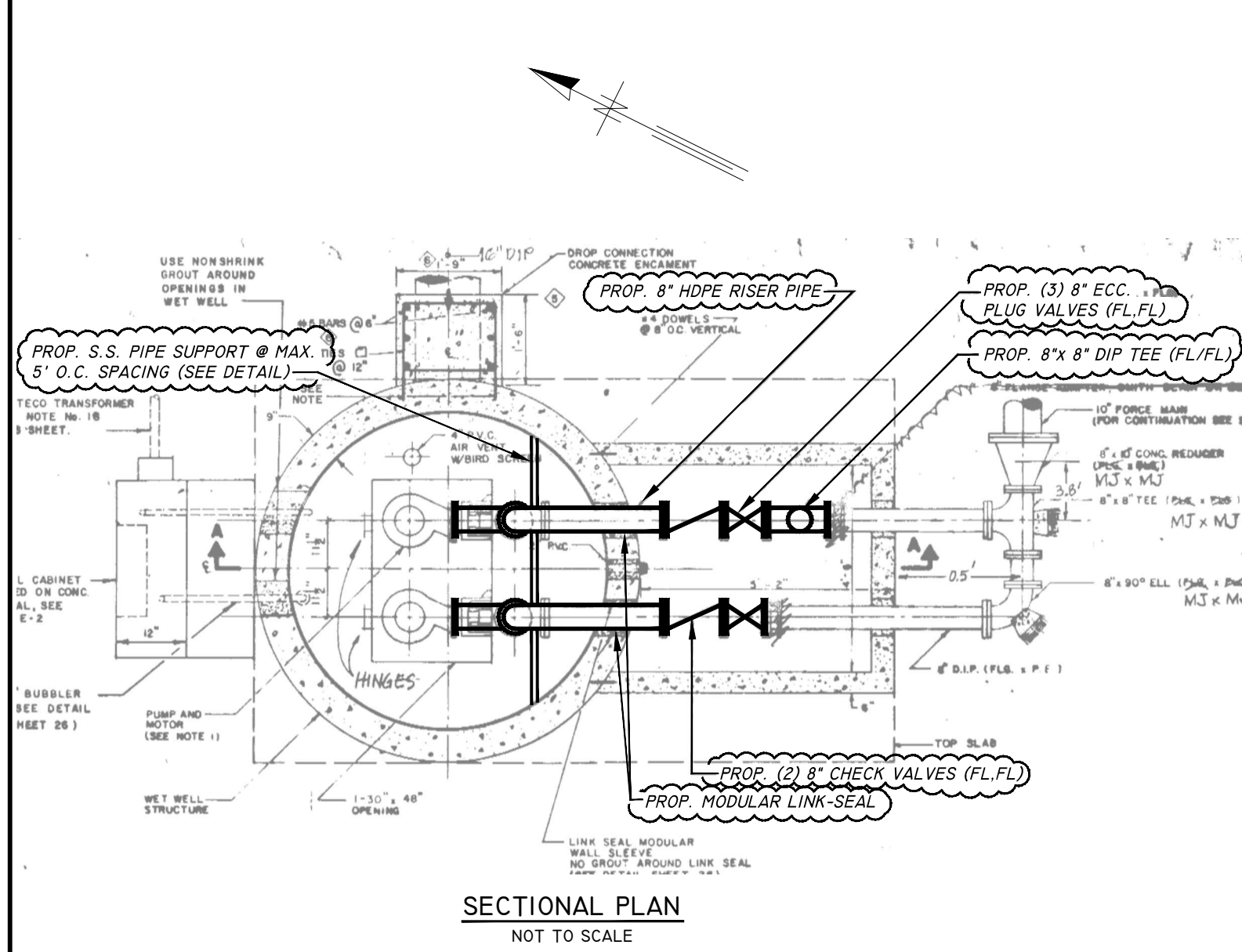
DES: V.T.
DRN: BB
CKD:
DATE:

CITY of TAMPA
WASTEWATER DEPARTMENT

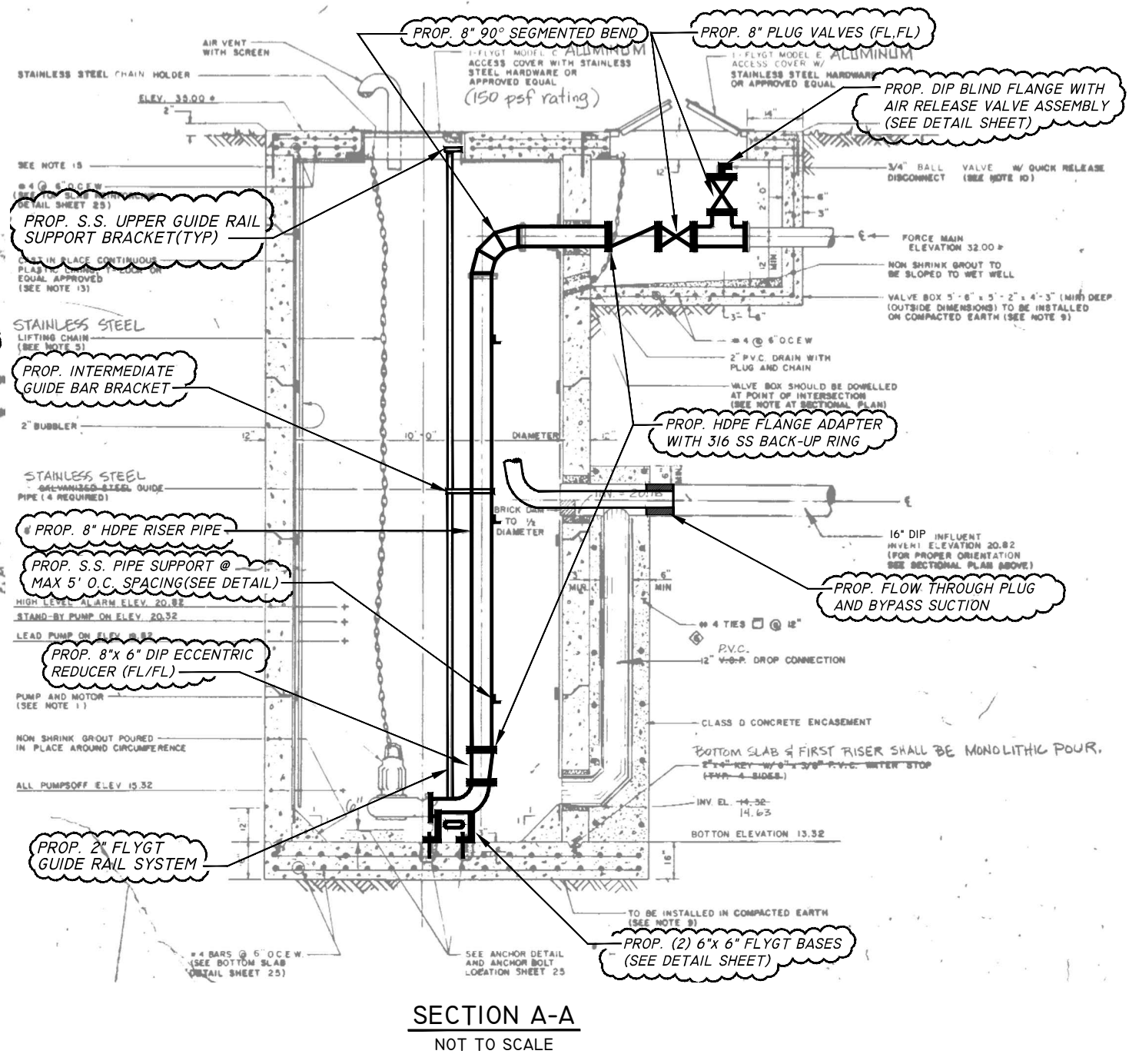
MISCELLANEOUS PUMPING STATION REPAIRS
AMBERLY PUMPING STATION - DEMO PLAN & SECTION

W.O. 5935
SHEET
6
OF 61

User: ss6k Drawing Name: K:\MW_Projects\2012_5935_Various Pumping Station Improvements\DWG\5935-Amberly P.S.dwg Layout- Jun 21, 2013 - 3:35pm



SECTIONAL PLAN
NOT TO SCALE



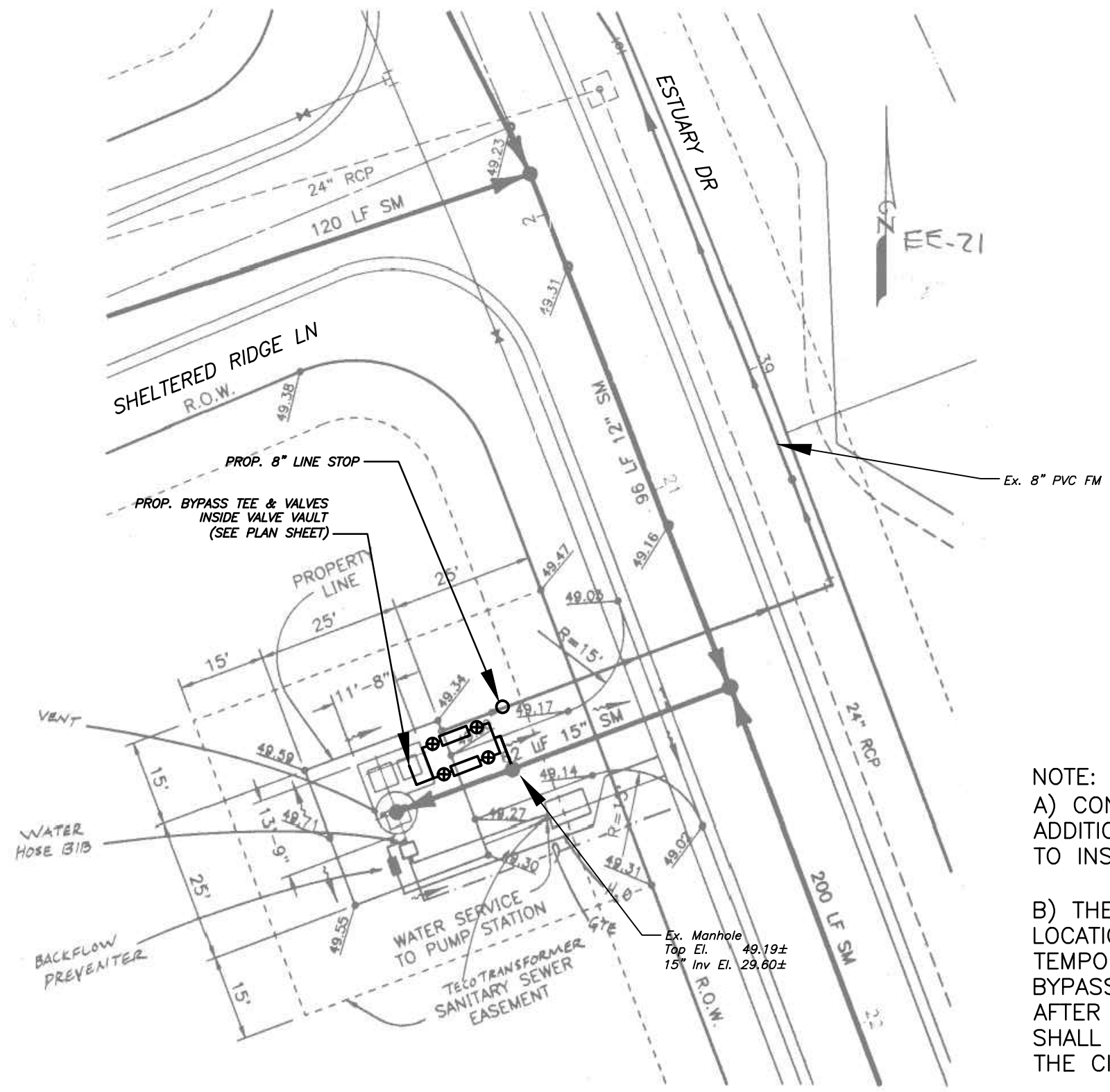
SECTION A-A
NOT TO SCALE

No.	DATE	REVISIONS
3		
2		
1		

DES: V.T.
DRN: BB
CKD:
DATE:

CITY of TAMPA
WASTEWATER DEPARTMENT

MISCELLANEOUS PUMPING STATION REPAIRS
AMBERLY PUMPING STATION - PROP. PLAN & SECTION

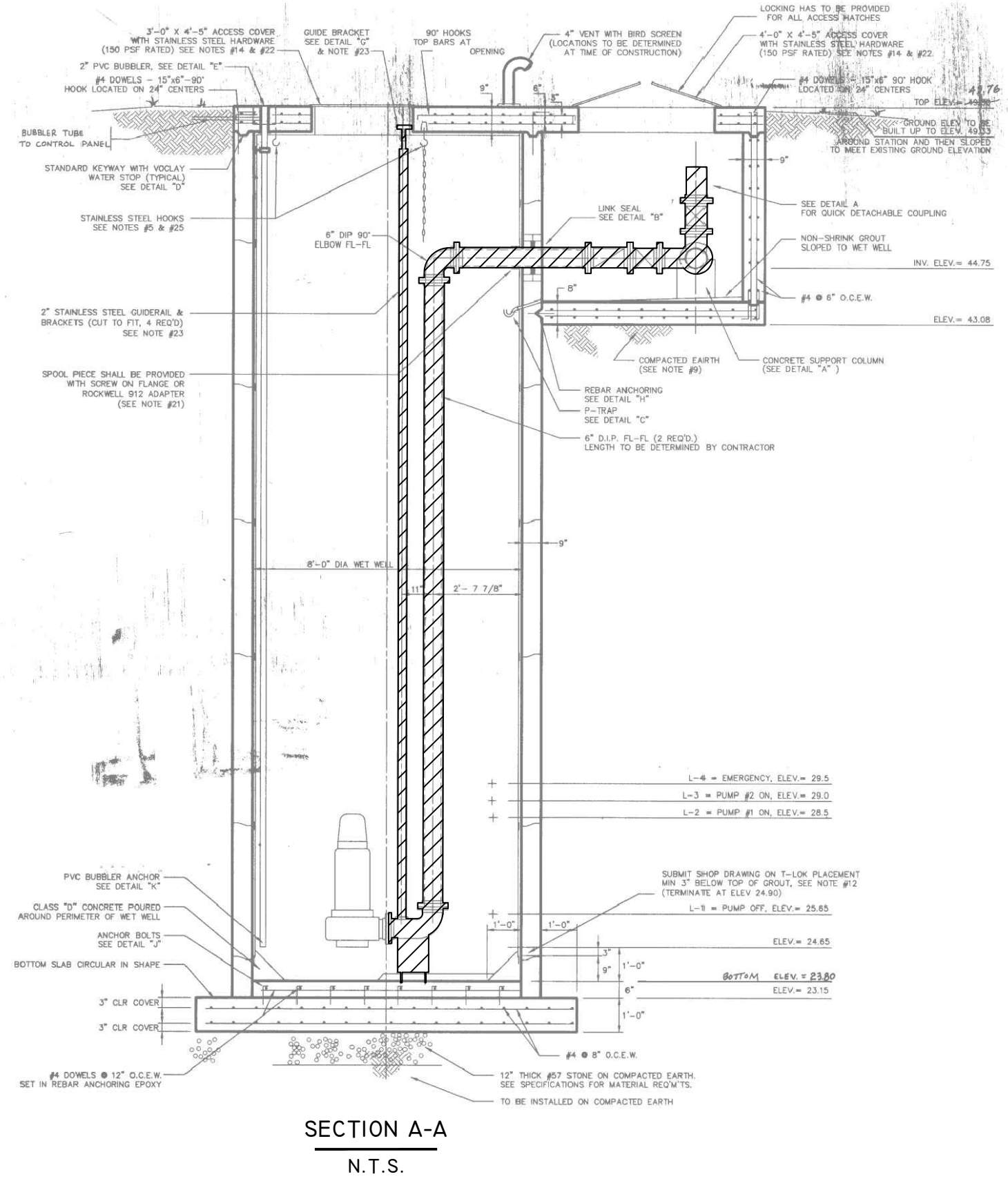
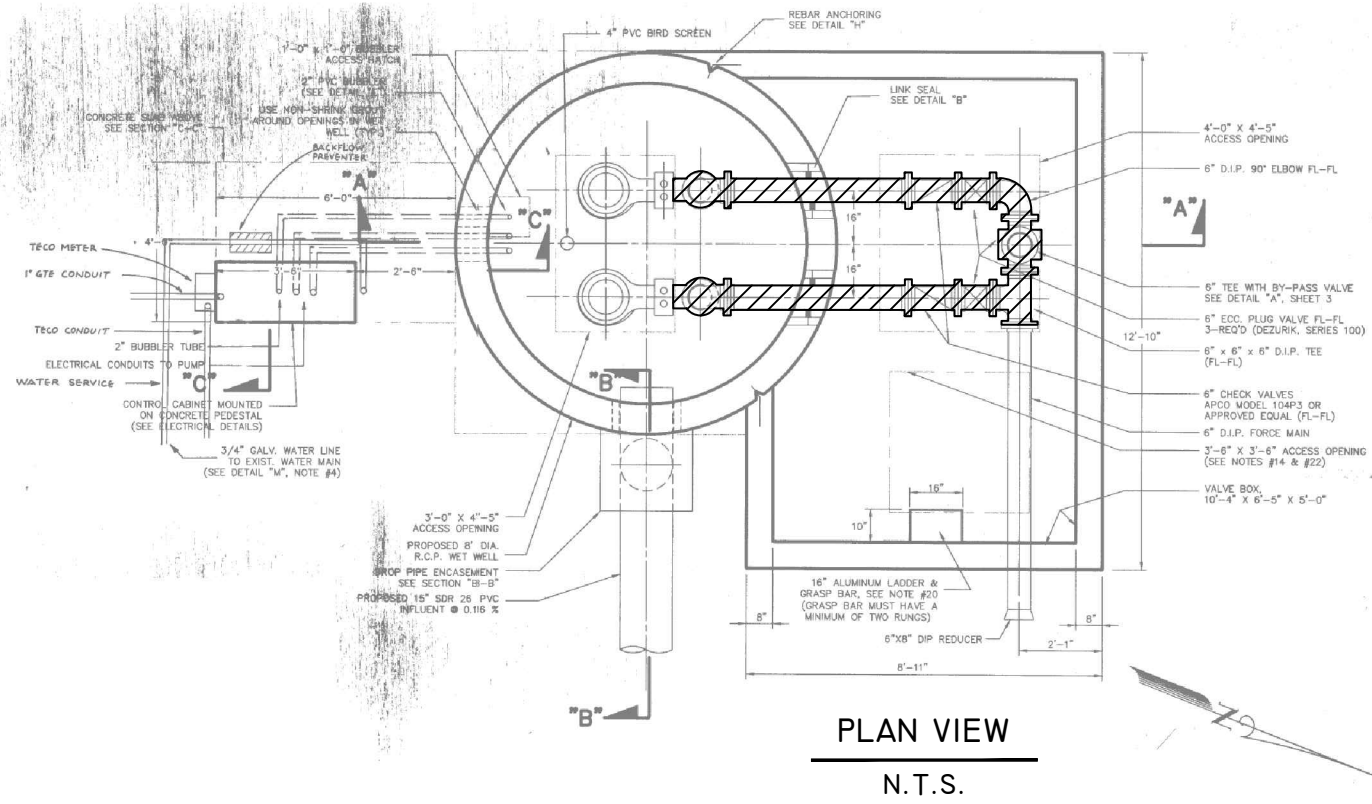


NOTE:
 A) CONTRACTOR SHALL PROVIDE AN ADDITIONAL DAY OF BYPASS FOR CITY TO INSTALL NEW RAIL ADAPTORS.
 B) THE CHEMICAL FEED DISCHARGE LOCATION WILL NEED TO BE TEMPORARILY RELOCATED DURING THE BYPASS OPERATION AND RESTORED AFTER COMPLETION. CONTRACTOR SHALL COORDINATE THIS WORK WITH THE CITY.

User: ss8k Drawing Name: K:\WW_Projects\2012\2012_5935_Various Pumping Station Improvements\DWG\arbor green.dwg Layout- Jun 25, 2013 - 8:41am CTB - WM.CTB

JACINTO CARLOS FERRAS, P.E. #49454 DESIGN DIVISION HEAD WASTEWATER DEPARTMENT	No.	DATE	REVISIONS	DES: V.T.	CITY of TAMPA WASTEWATER DEPARTMENT	MISCELLANEOUS PUMPING STATION REPAIRS ARBOR GREEN PUMPING	W.O. 5935
	3			DRN: M.R.L.			SHEET
	2			CKD:			8
	1			DATE:			OF 61

 HATCHED AREAS ON THIS SHEET INDICATE PIPING FITTINGS AND VALVES TO BE REMOVED



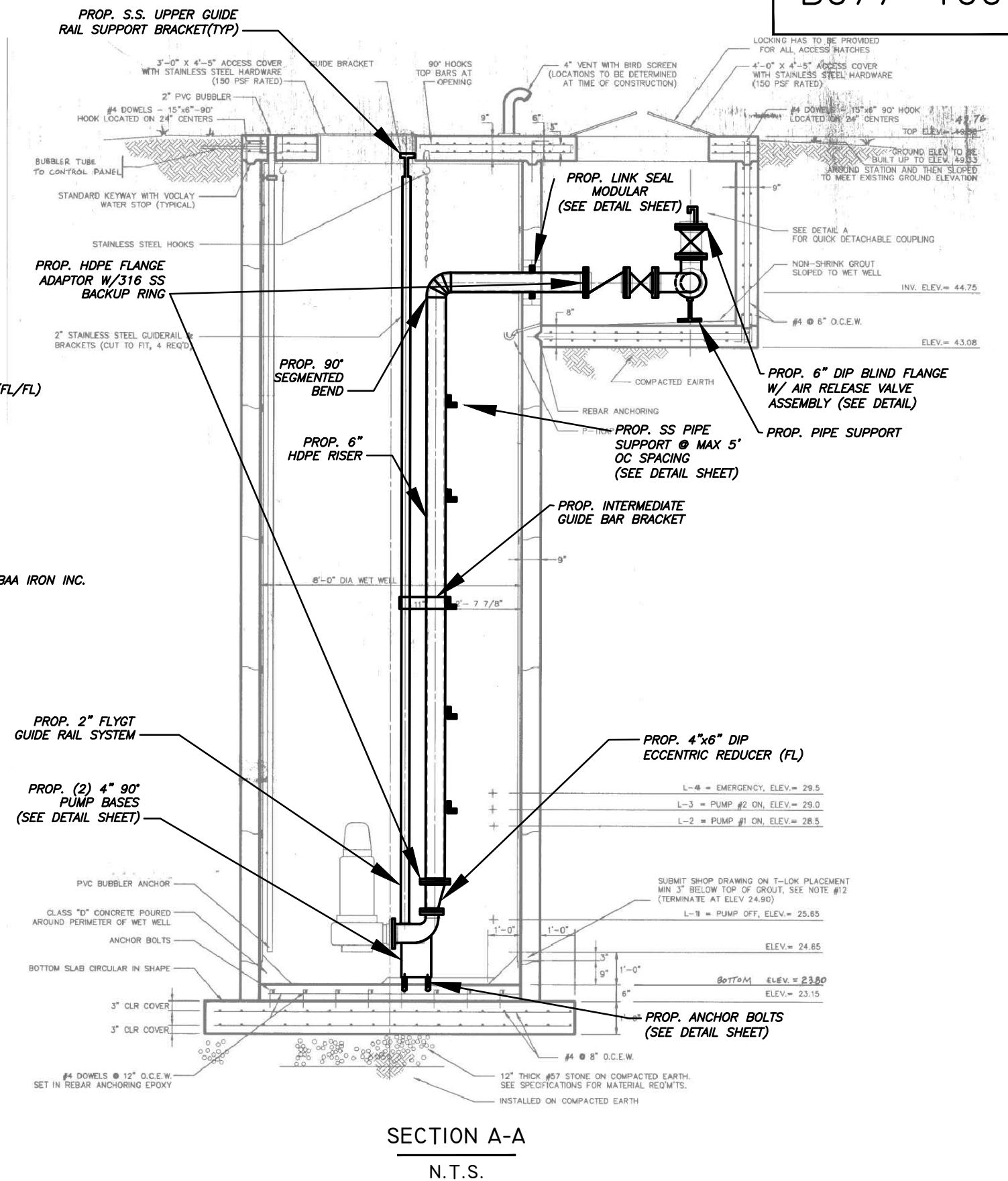
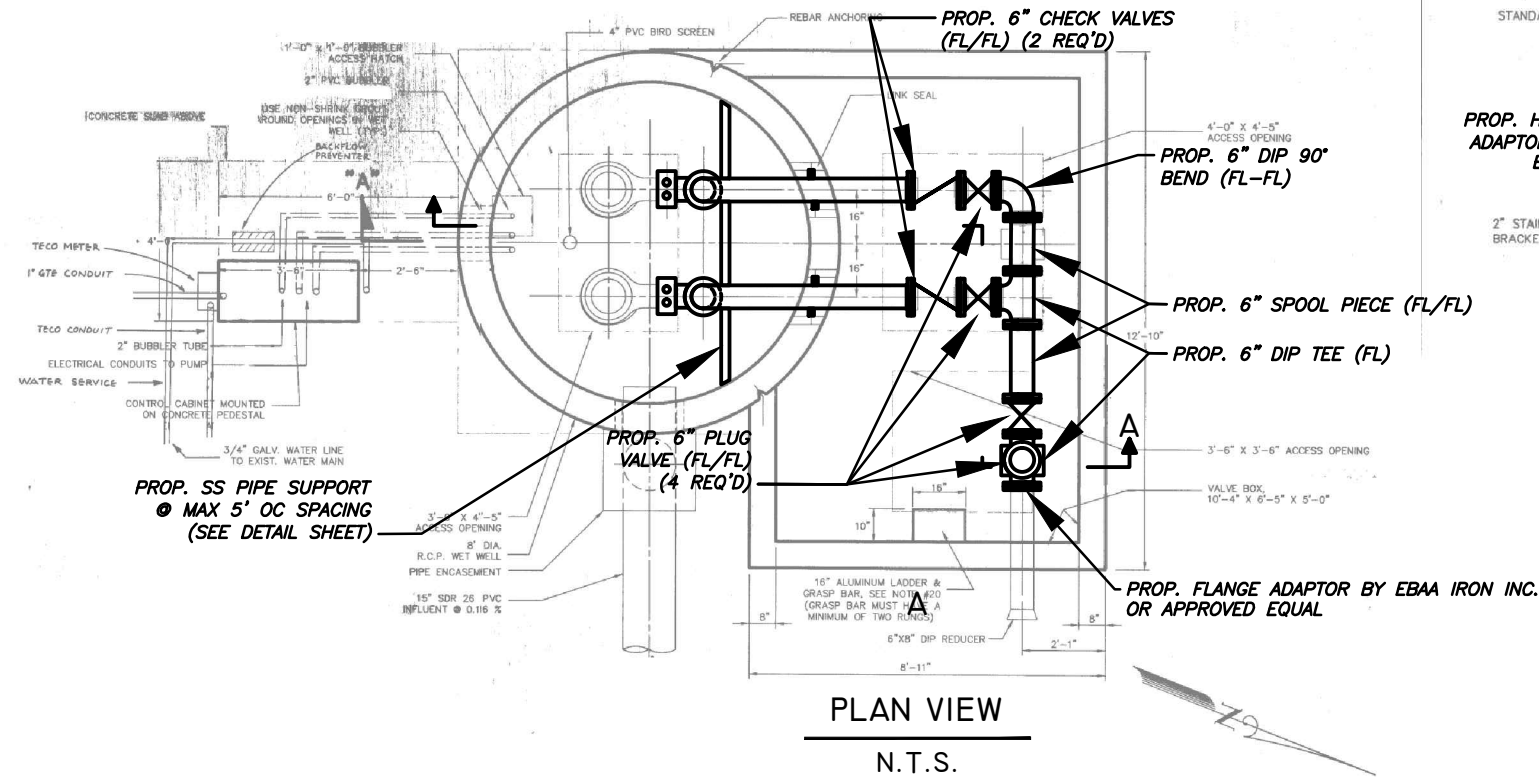
User: ss8k Drawing Name: K:\WW_Projects\2012\5935_Various Pumping Station Improvements\DWG\arbor green.dwg Layout: Jun 25, 2013 - 8:41am CTB - WW.CTB

No.	DATE	REVISIONS
3		
2		
1		

DES: V.T.
DRN: M.R.L.
CKD:
DATE:

CITY of TAMPA
WASTEWATER DEPARTMENT

MISCELLANEOUS PUMPING STATION REPAIRS
ARBOR GREEN PUMPING STATION - DEMOLITION



User: ss8k Drawing Name: K:\WW_Projects\2012\2012_5935_Various Pumping Station Improvements\DWG\arbor green.dwg Layout- Jun 25, 2013 - 8:41am CTB - WW.CTB

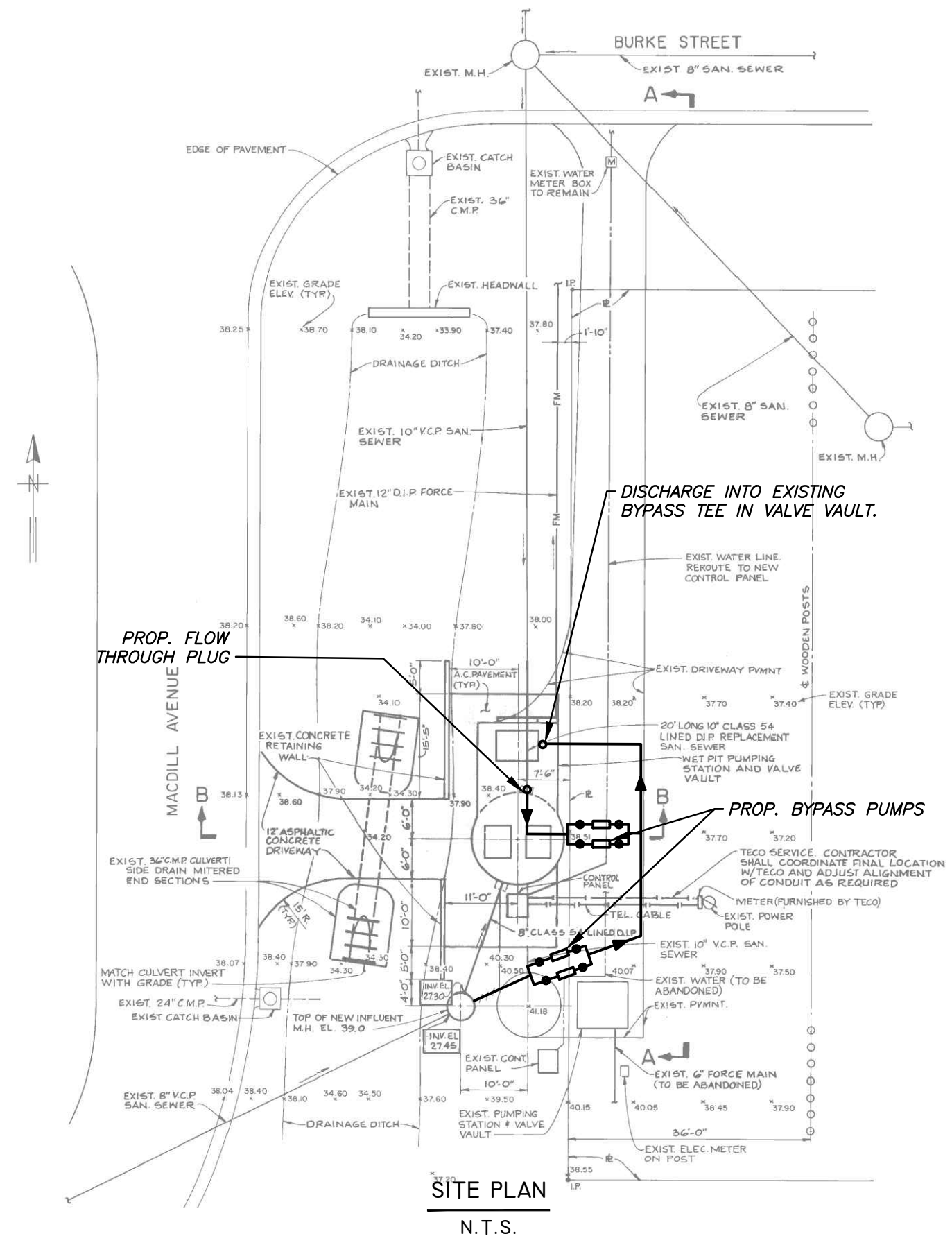
No.	DATE	REVISIONS
3		
2		
1		

DES: V.T.
DRN: M.R.L.
CKD:
DATE:

CITY of TAMPA
WASTEWATER DEPARTMENT

MISCELLANEOUS PUMPING STATION REPAIRS
ARBOR GREEN PUMPING STATION - PROPOSED

W.O. 5935
SHEET
10
OF 61



SITE PLAN
N.T.S.

DISCHARGE INTO EXISTING BYPASS TEE IN VALVE VAULT.

PROP. FLOW THROUGH PLUG

PROP. BYPASS PUMPS

NOTE:
 A) CONTRACTOR SHALL PROVIDE AN ADDITIONAL DAY OF BYPASS FOR CITY TO INSTALL NEW RAIL ADAPTORS.
 B) THE CHEMICAL FEED DISCHARGE LOCATION WILL NEED TO BE TEMPORARILY RELOCATED DURING THE BYPASS OPERATION AND RESTORED AFTER COMPLETION. CONTRACTOR SHALL COORDINATE THIS WORK WITH THE CITY.

User: ss8k Drawing Name: K:\WW_Projects\2012\2012_5935_Various Pumping Station Improvements\DWG\BURKE STREET.dwg Layout: Jun 25, 2013 - 8:38am CTB - WWC.TB

JACINTO CARLOS FERRAS, P.E. #49454 DESIGN DIVISION HEAD WASTEWATER DEPARTMENT	
---	--

No.	DATE	REVISIONS
3		
2		
1		

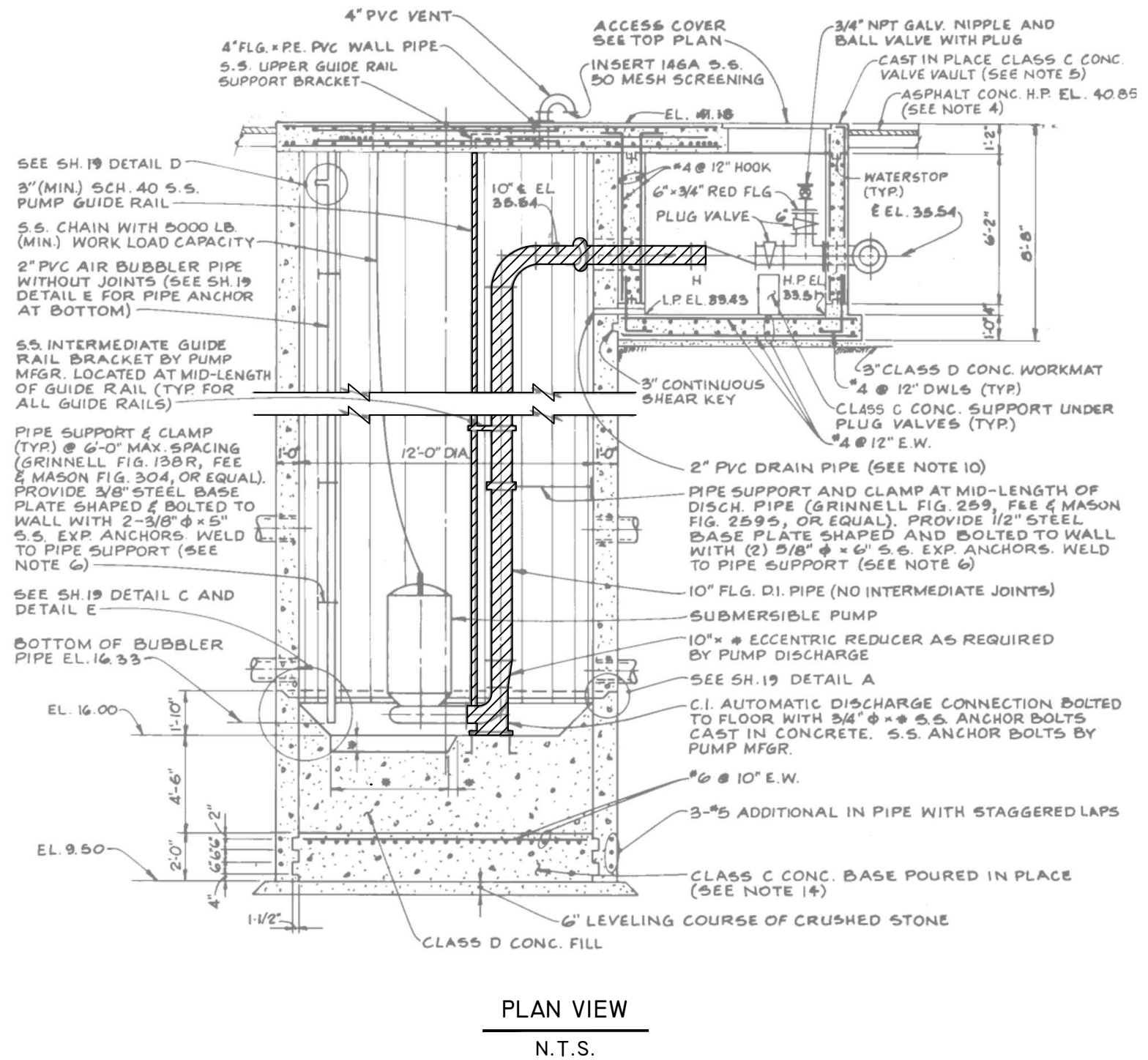
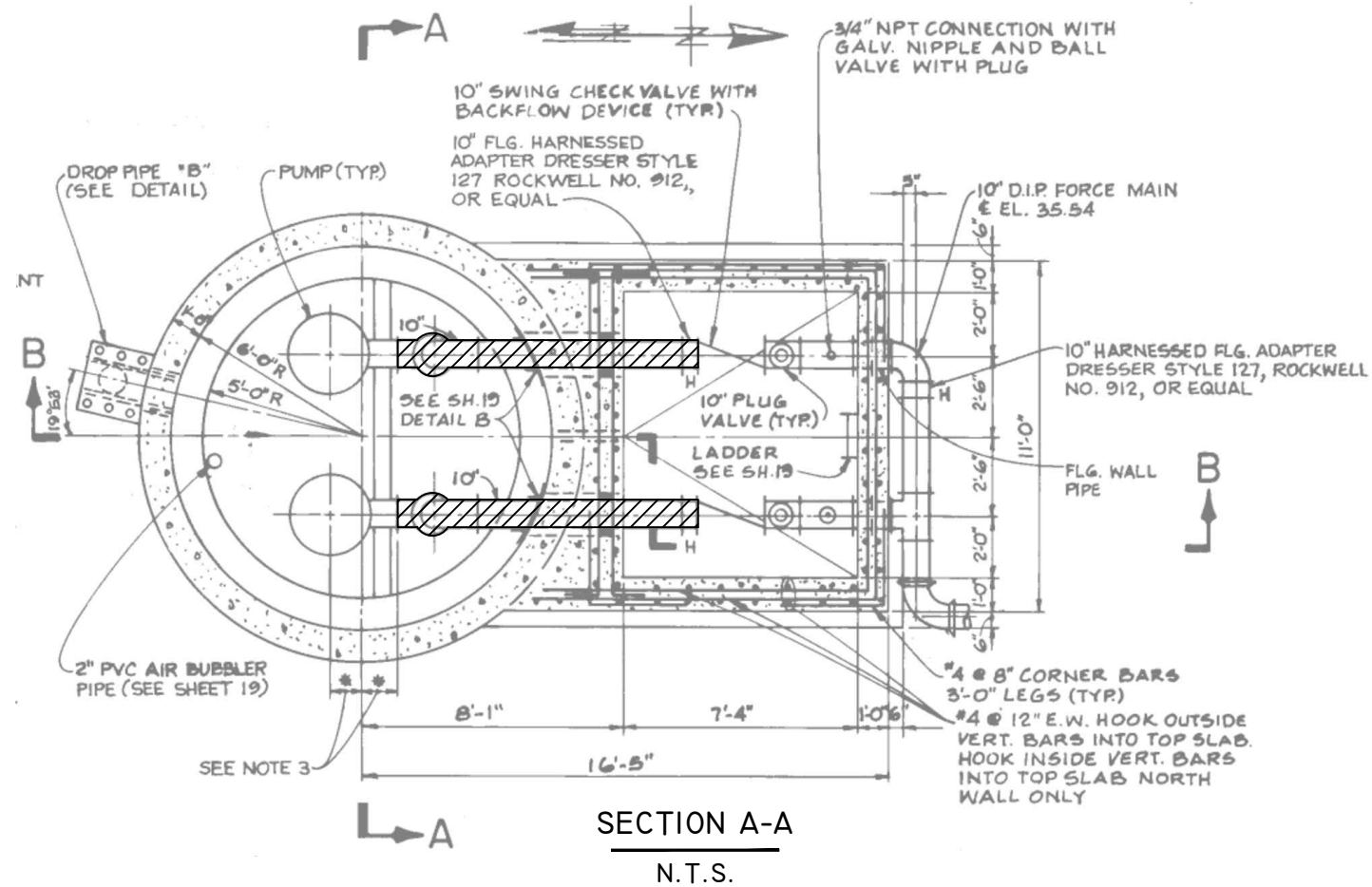
DES: V.T.
 DRN: M.R.L.
 CKD:
 DATE:

CITY of TAMPA
WASTEWATER DEPARTMENT

MISCELLANEOUS PUMPING STATION REPAIRS
BURKE STREET PUMPING STATION - SITE PLAN

W.O. 5935
 SHEET
 11
 OF 61

 HATCHED AREAS ON THIS SHEET INDICATE PIPING FITTINGS AND VALVES TO BE REMOVED



User: ss8k Drawing Name: K:\WW_Projects\2012\2012_5935_Various Pumping Station Improvements\DWG\BURKE STREET.dwg Layout: Jun 25, 2013 - 8:38am CTB - WW.CTB

No.	DATE	REVISIONS
3		
2		
1		

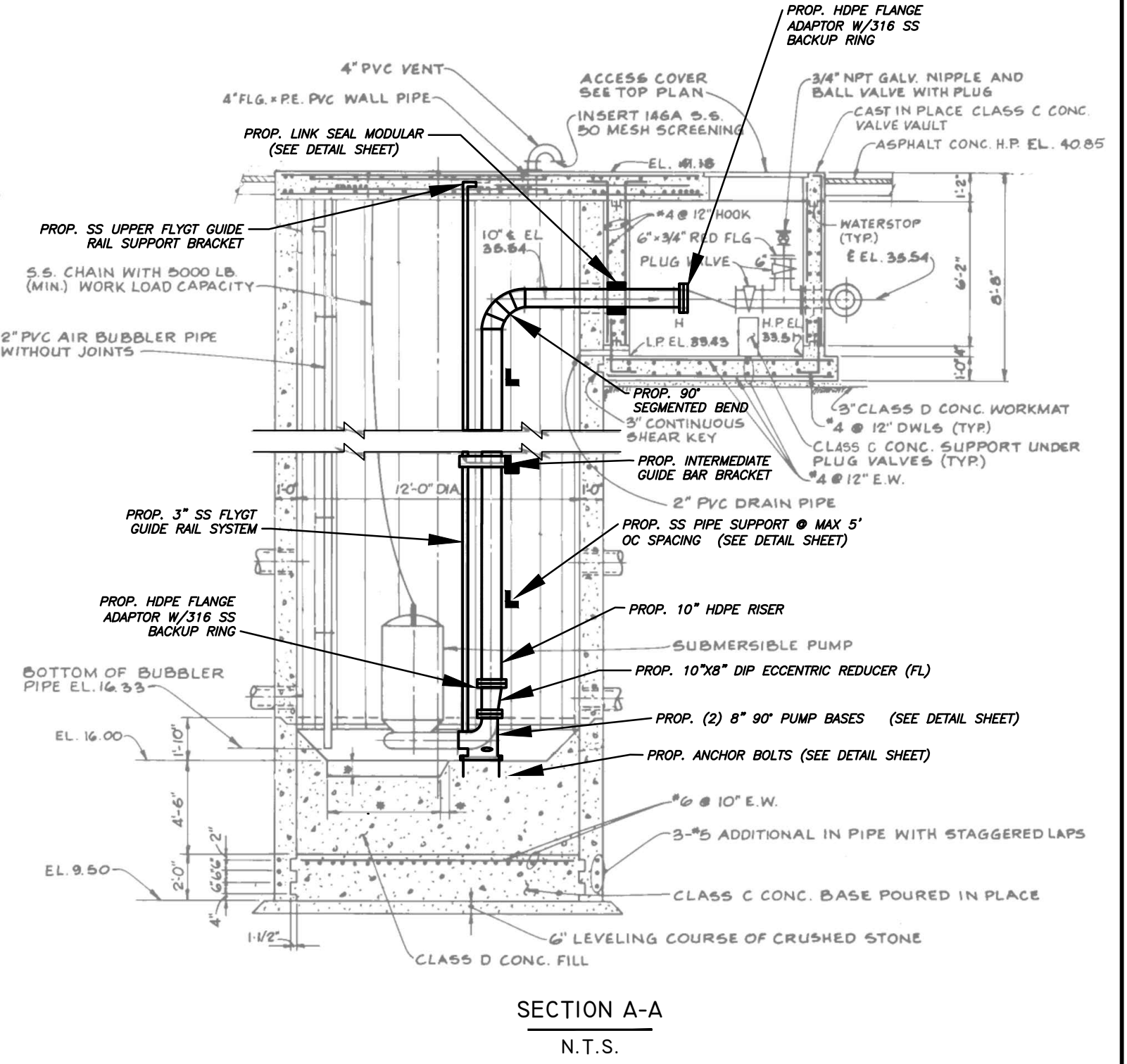
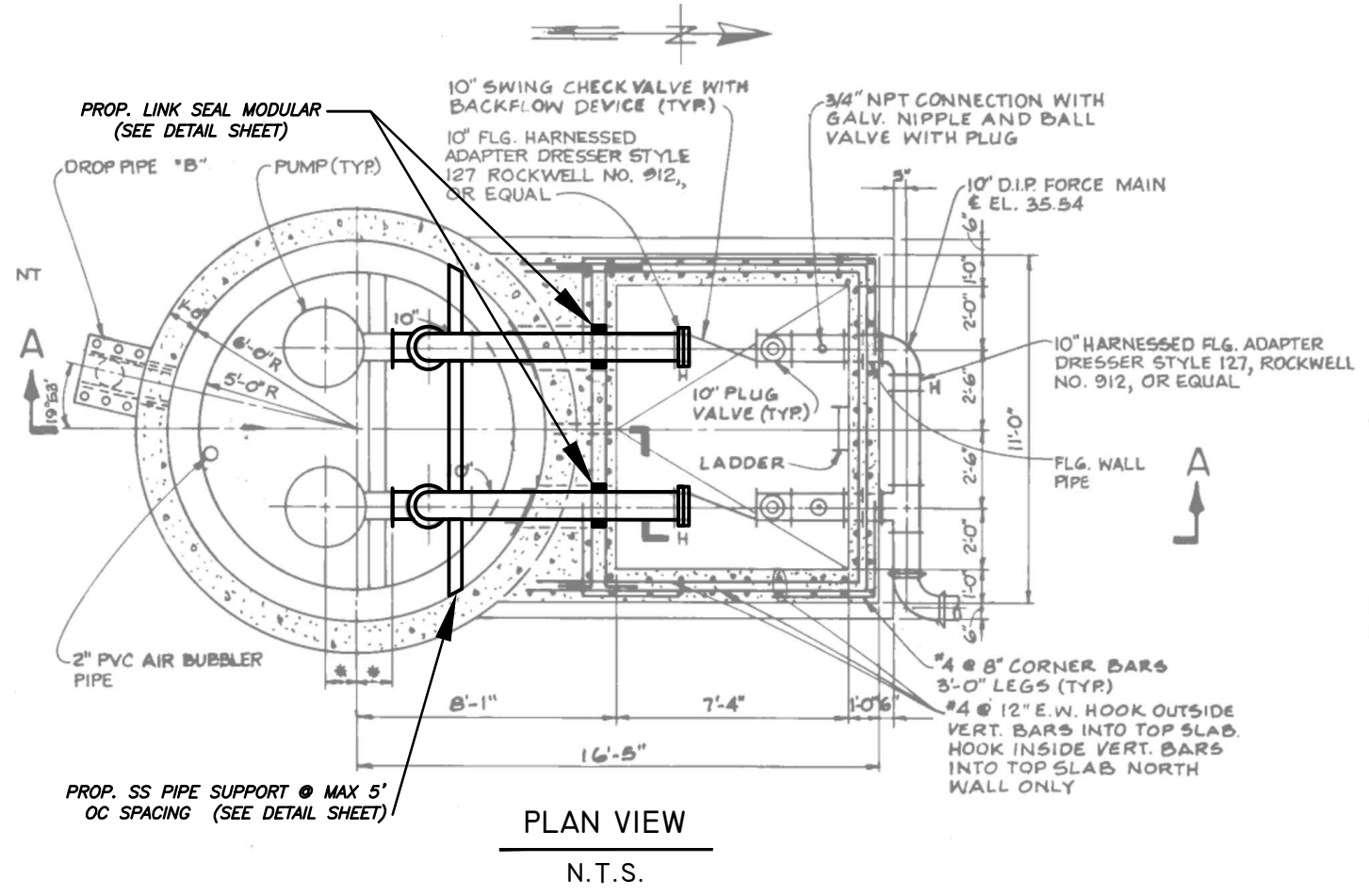
DES: V.T.
DRN: M.R.L.
CKD:
DATE:

CITY of TAMPA
WASTEWATER DEPARTMENT

MISCELLANEOUS PUMPING STATION REPAIRS
BURKE STREET PUMPING STATION - DEMOLITION

W.O. 5935
SHEET
12
OF 61

JACINTO CARLOS FERRAS, P.E. #49454
DESIGN DIVISION HEAD
WASTEWATER DEPARTMENT



User: ss8k Drawing Name: K:\WW_Projects\2012\2012_5935_Various Pumping Station Improvements\DWG\BURKE STREET.dwg Layout: Jun 25, 2013 - 8:38am CTB - WM.CTB

No.	DATE	REVISIONS
3		
2		
1		

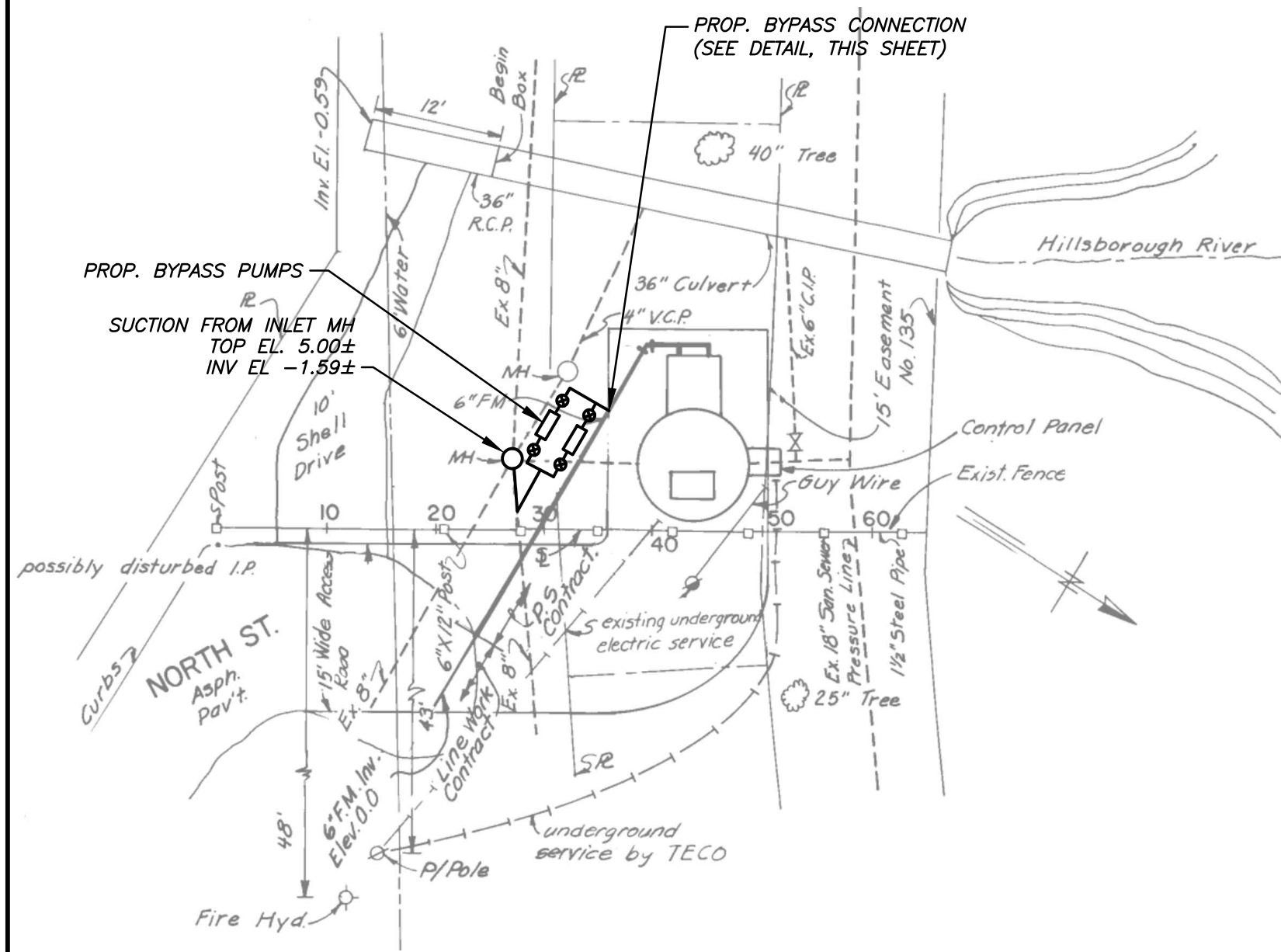
DES: V.T.
DRN: M.R.L.
CKD:
DATE:

CITY of TAMPA
WASTEWATER DEPARTMENT

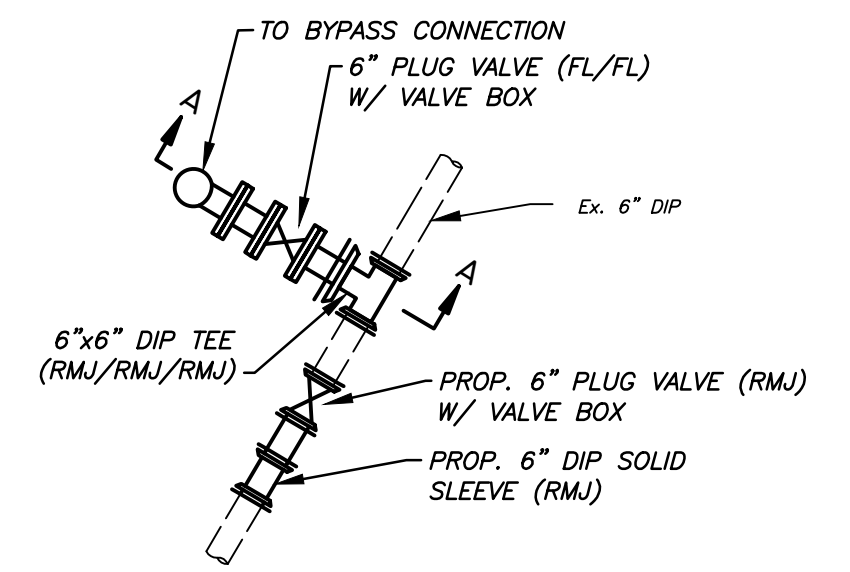
MISCELLANEOUS PUMPING STATION REPAIRS
BURKE STREET PUMPING STATION - PROPOSED

W.O. 5935
SHEET
13
OF 61

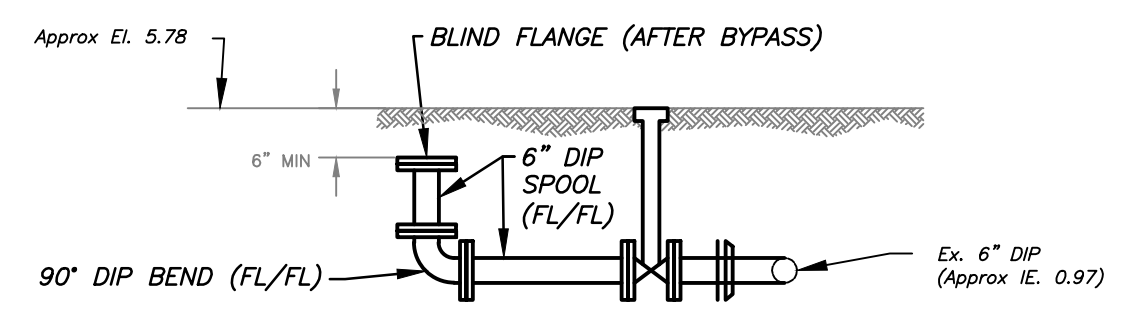
JACINTO CARLOS FERRAS, P.E. #49454
DESIGN DIVISION HEAD
WASTEWATER DEPARTMENT



SITE PLAN
N.T.S.



BYPASS PLAN
N.T.S.



BYPASS PROFILE A-A
N.T.S.

User: ss8k Drawing Name: K:\WW_Projects\2012\2012_5935_Various Pumping Station Improvements\DWG\EPPS PARK.dwg Layout: Jun 20, 2013 - 2:32pm CTB - WWC.TB

JACINTO CARLOS FERRAS, P.E. #49454 DESIGN DIVISION HEAD WASTEWATER DEPARTMENT

No.	DATE	REVISIONS
3		
2		
1		

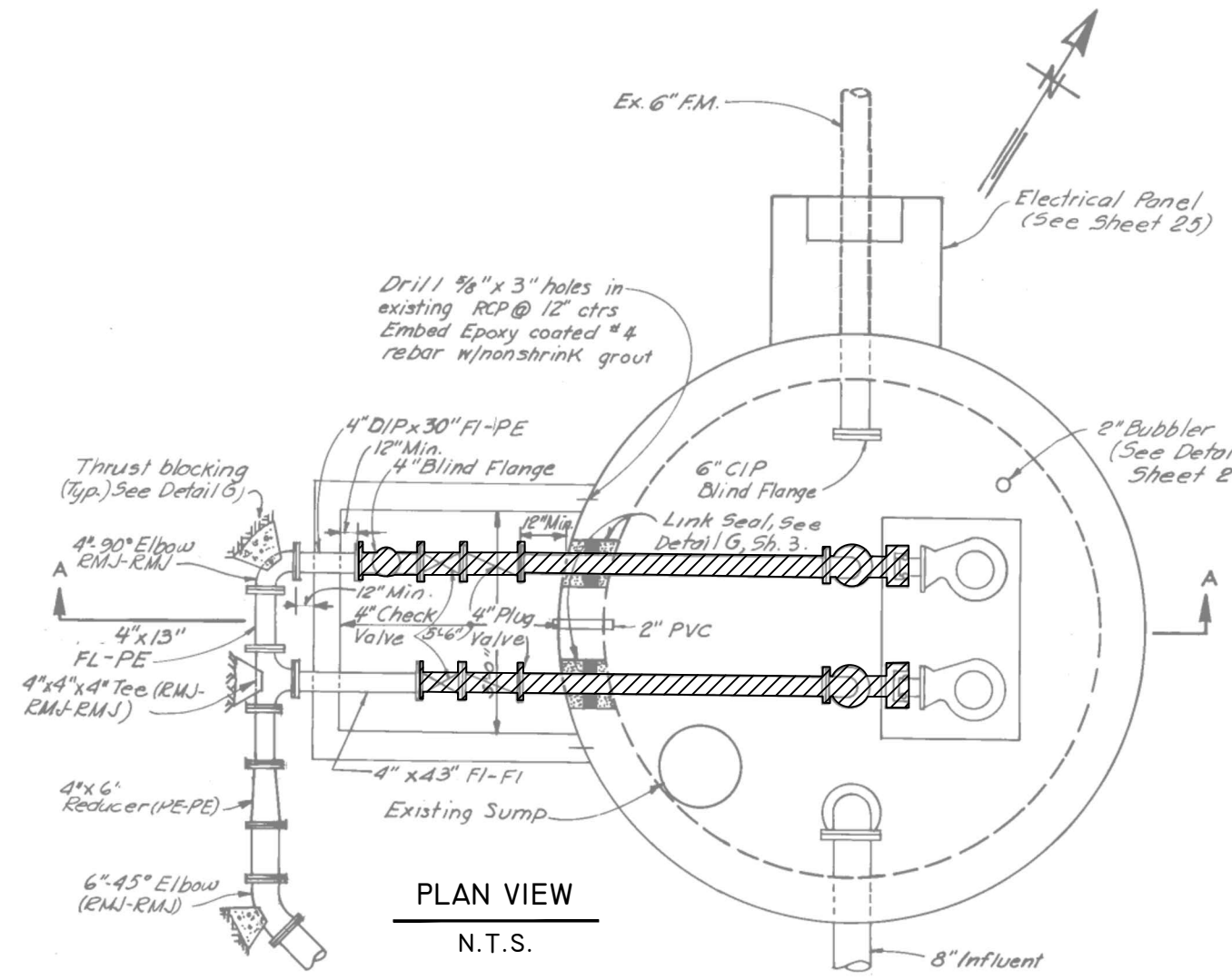
DES: V.T.
DRN: M.R.L.
CKD:
DATE:

CITY of TAMPA
WASTEWATER DEPARTMENT

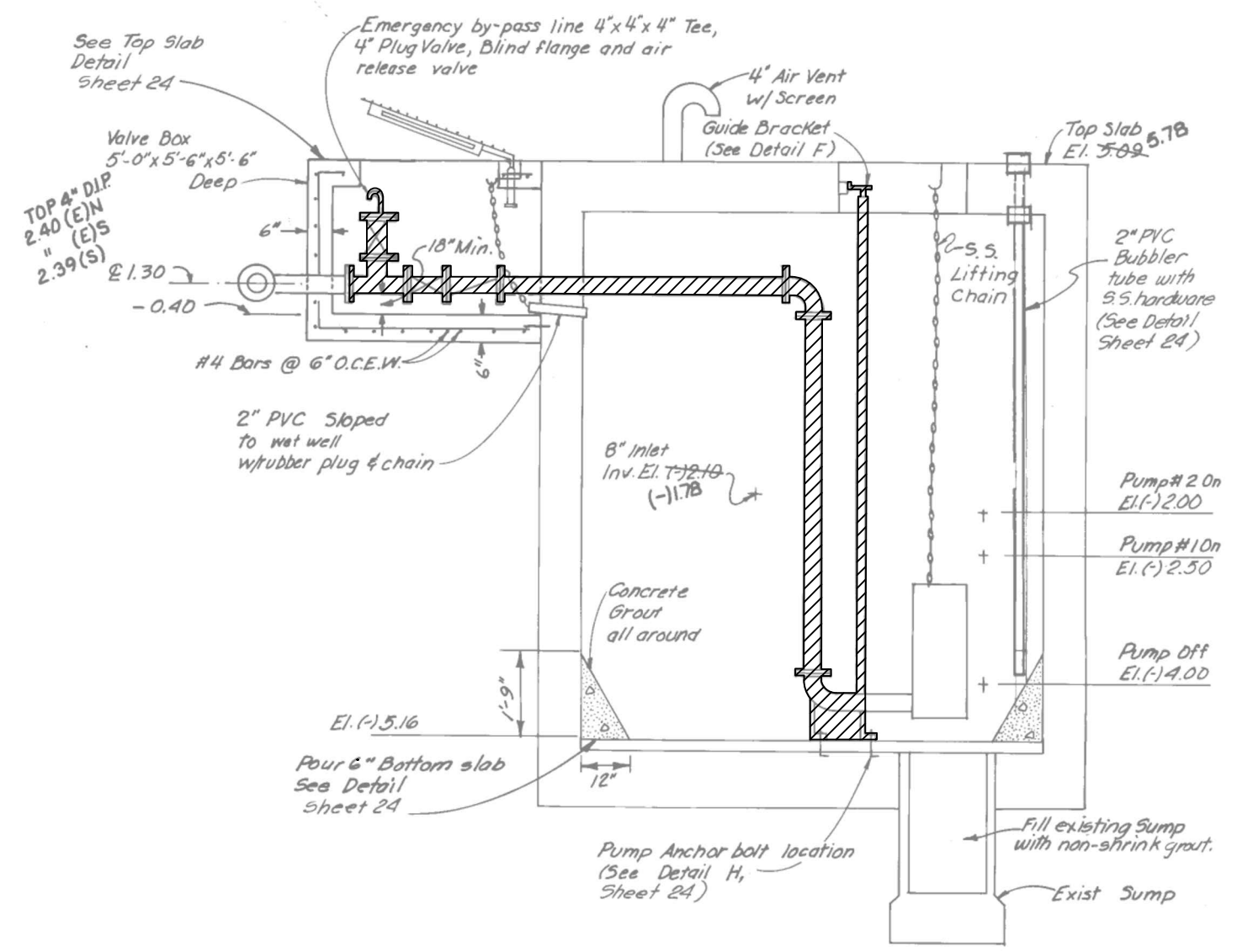
MISCELLANEOUS PUMPING STATION REPAIRS
EPPS PARK PUMPING STATION - SITE PLAN

W.O. 5935
SHEET
14
OF ##

 HATCHED AREAS ON THIS SHEET INDICATE PIPING FITTINGS AND VALVES TO BE REMOVED



PLAN VIEW
N.T.S.



SECTION A-A
N.T.S.

User: ss8k Drawing Name: K:\WW_Projects\2012\5935_Various Pumping Station Improvements\DWG\EPPS PARK.dwg Layout: Jun 20, 2013 - 2:32pm CTB - WW.CTB

No.	DATE	REVISIONS
3		
2		
1		

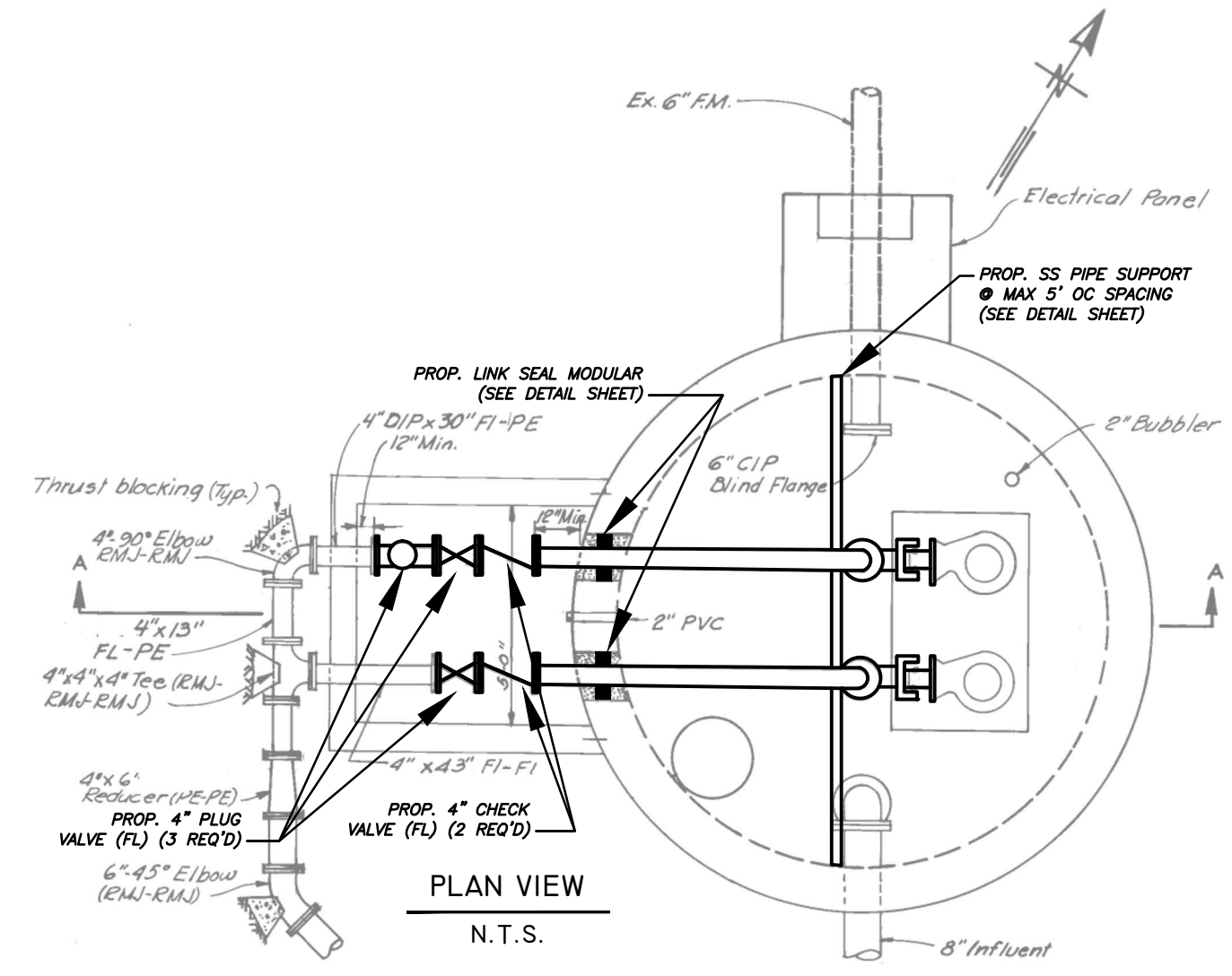
DES: V.T.
DRN: M.R.L.
CKD:
DATE:

CITY of TAMPA
WASTEWATER DEPARTMENT

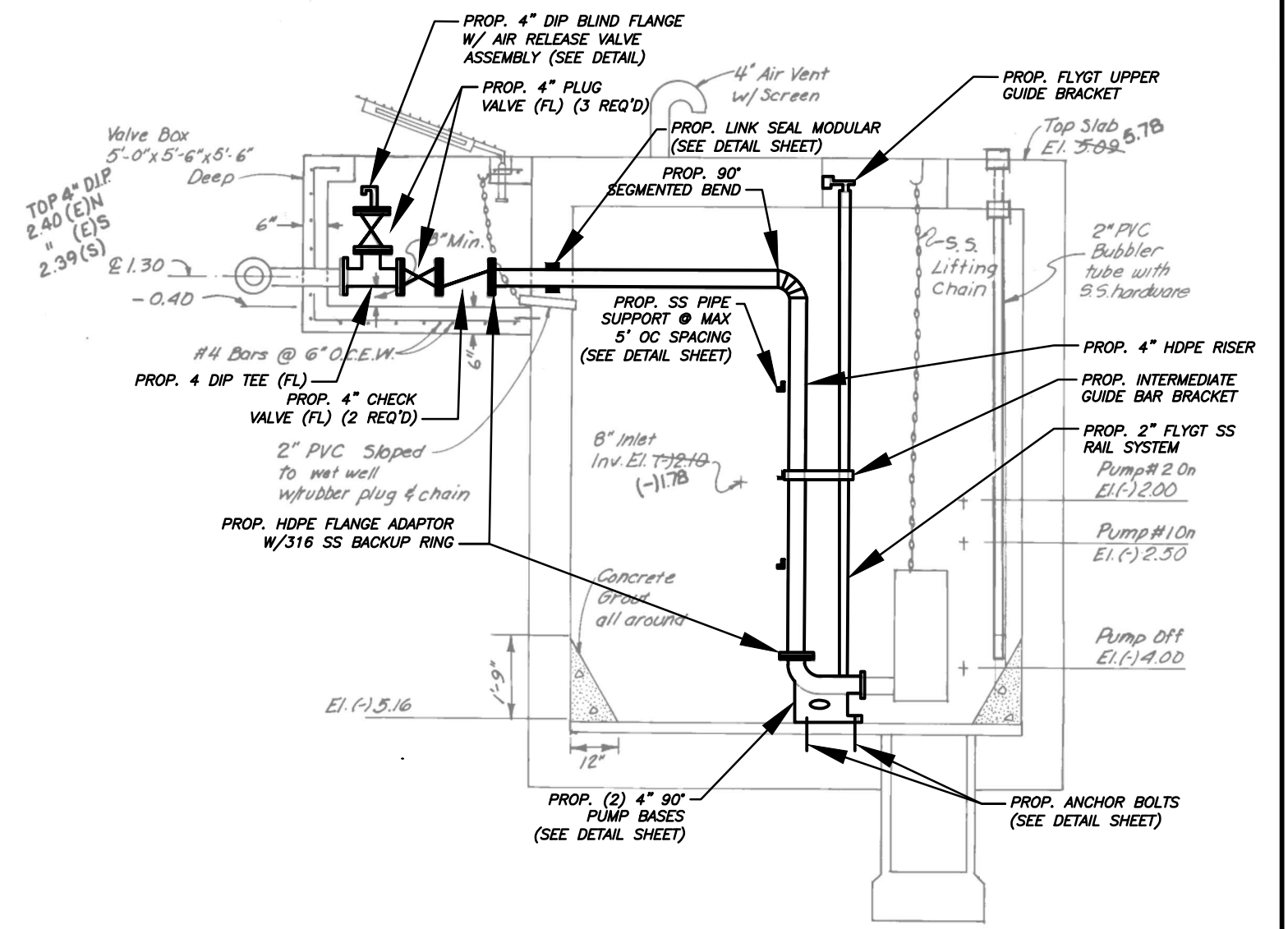
MISCELLANEOUS PUMPING STATION REPAIRS
EPPS PARK PUMPING STATION - DEMOLITION

W.O. 5935
SHEET
15
OF ##

JACINTO CARLOS FERRAS, P.E. #49454
DESIGN DIVISION HEAD
WASTEWATER DEPARTMENT



PLAN VIEW
N.T.S.



SECTION A-A
N.T.S.

User: ss8k Drawing Name: K:\WW_Projects\2012\2012_5935_Various Pumping Station Improvements\DWG\EPPS PARK.dwg Layout: Jun 20, 2013 - 2:32pm CTB - WW.CTB

No.	DATE	REVISIONS
3		
2		
1		

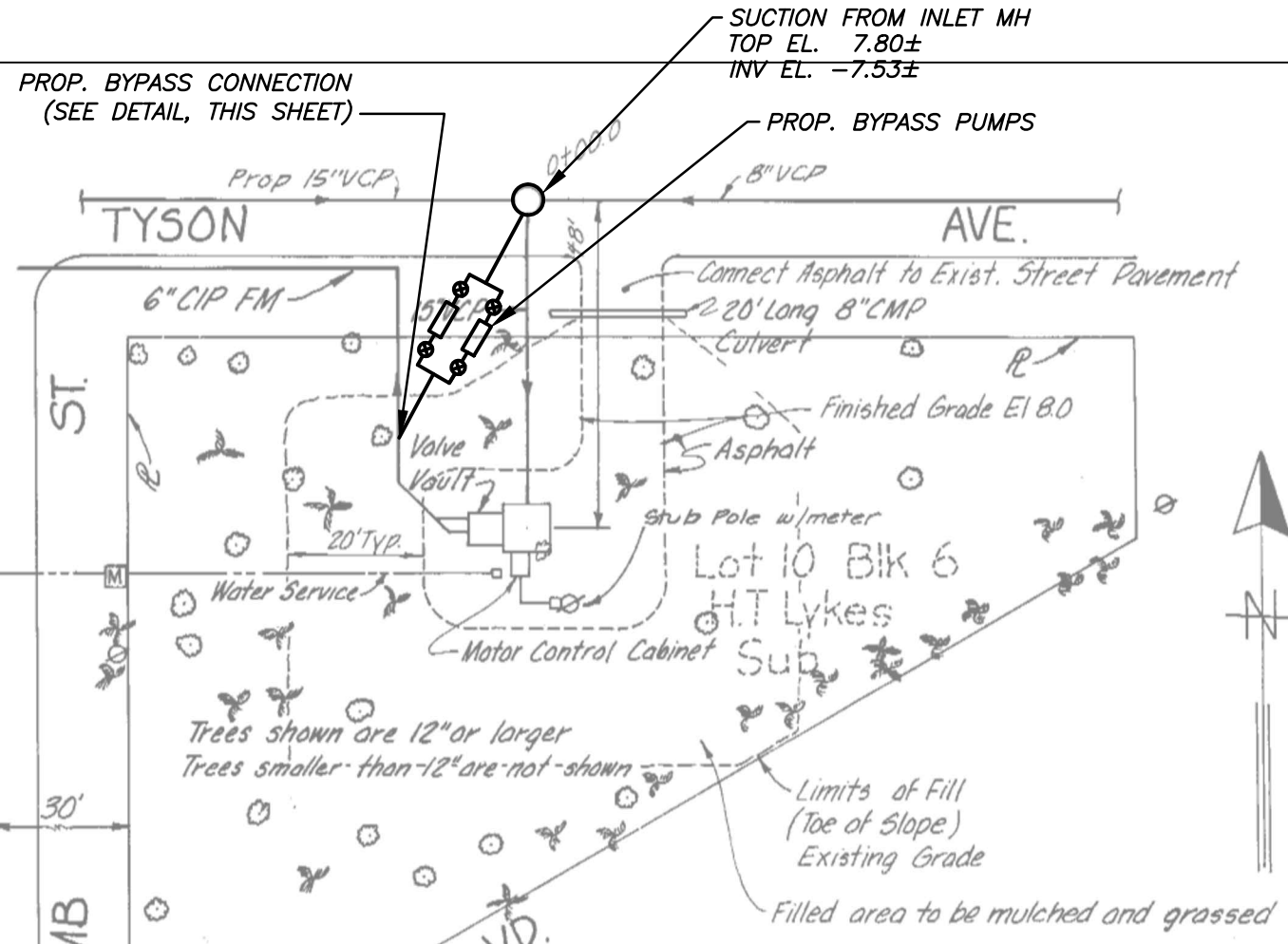
JACINTO CARLOS FERRAS, P.E. #49454
DESIGN DIVISION HEAD
WASTEWATER DEPARTMENT

DES: V.T.
DRN: M.R.L.
CKD:
DATE:

CITY of TAMPA
WASTEWATER DEPARTMENT

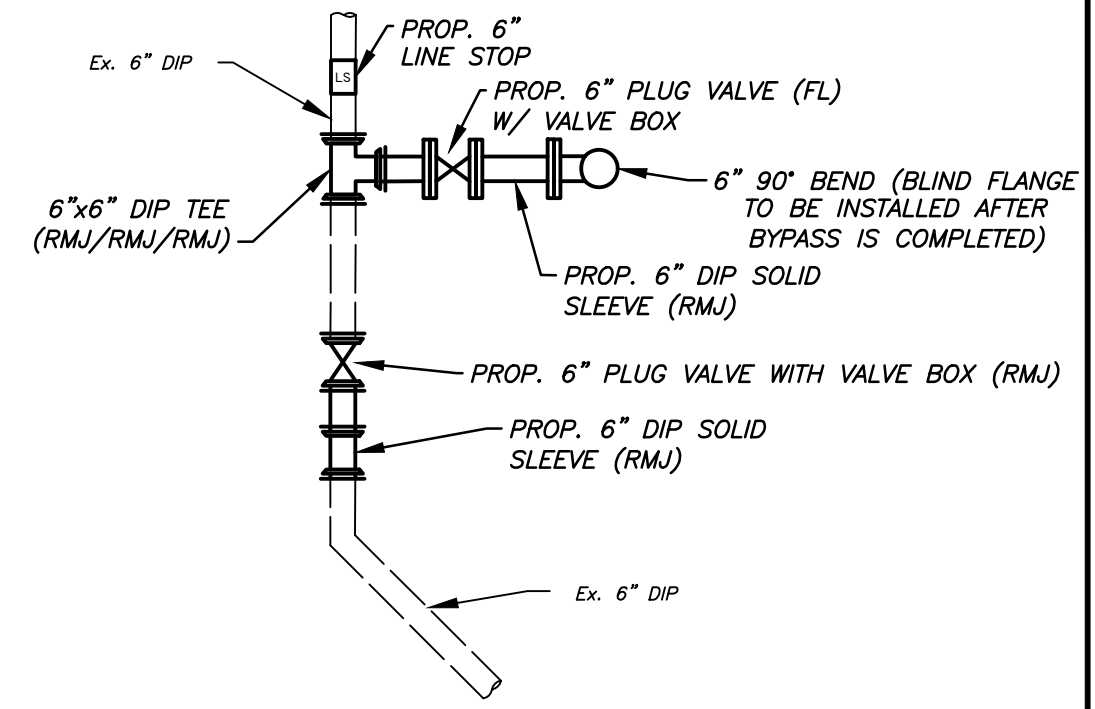
MISCELLANEOUS PUMPING STATION REPAIRS
EPPS PARK PUMPING STATION - PROPOSED

W.O. 5935
SHEET
16
OF ##

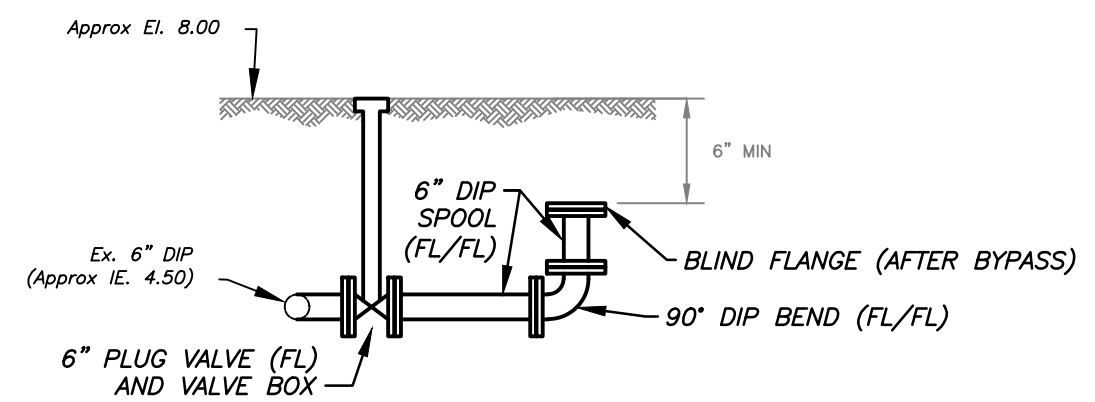


SITE PLAN
N.T.S.

*CONTRACTOR SHALL BE REQUIRED TO OBTAIN R/W PERMIT TO CLOSE TYSON AVE FROM LIPSCOMB ST. TO INTERBAY BLVD.



BYPASS PLAN
N.T.S.



BYPASS PROFILE
N.T.S.

User: ss8k Drawing Name: K:\WW_Projects\2012\2012_5935_Various Pumping Station Improvements\DWG\INTERBAY.dwg Layout: Jun 20, 2013 - 2:33pm CTB - WW.CTB

No.	DATE	REVISIONS
3		
2		
1		

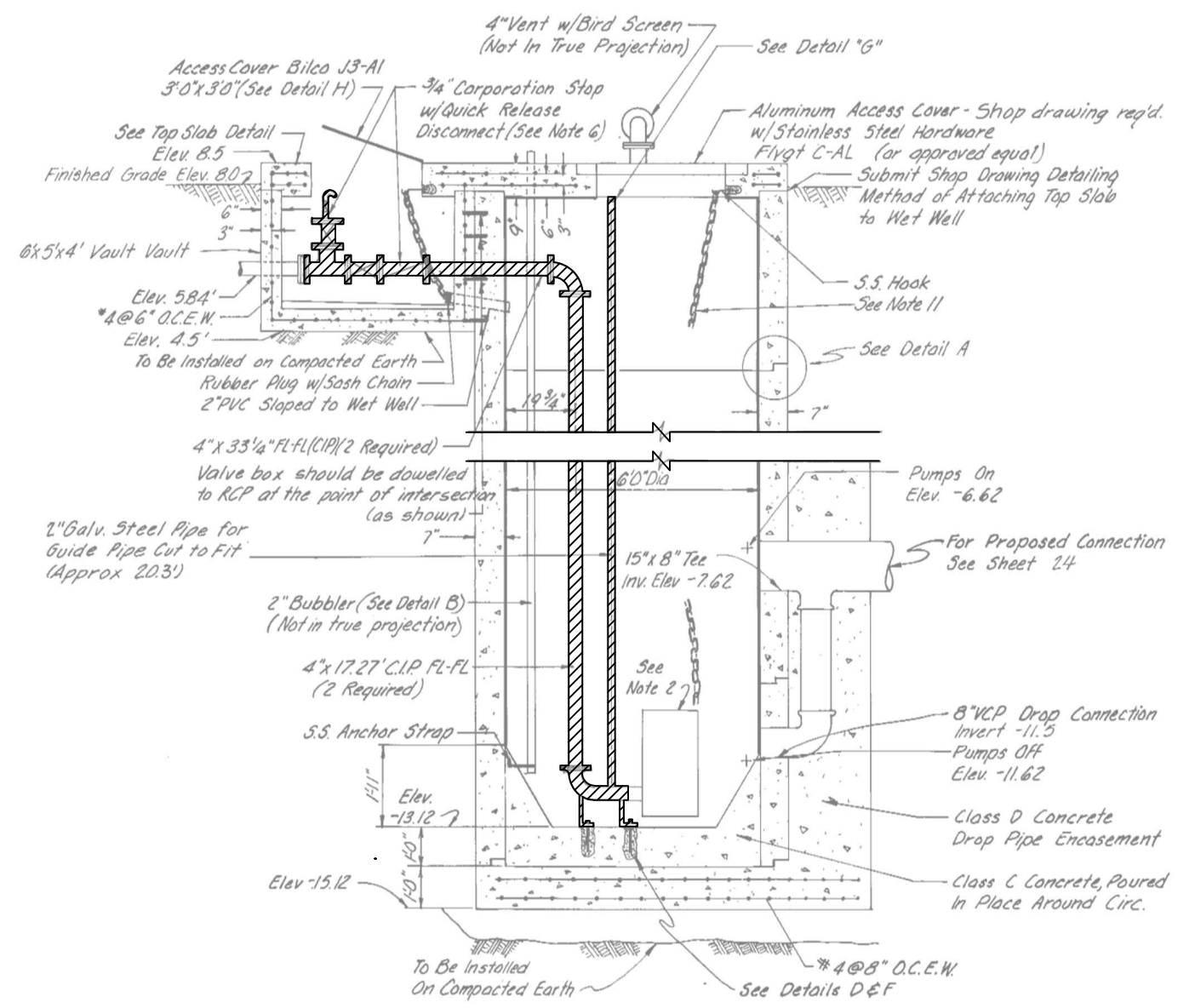
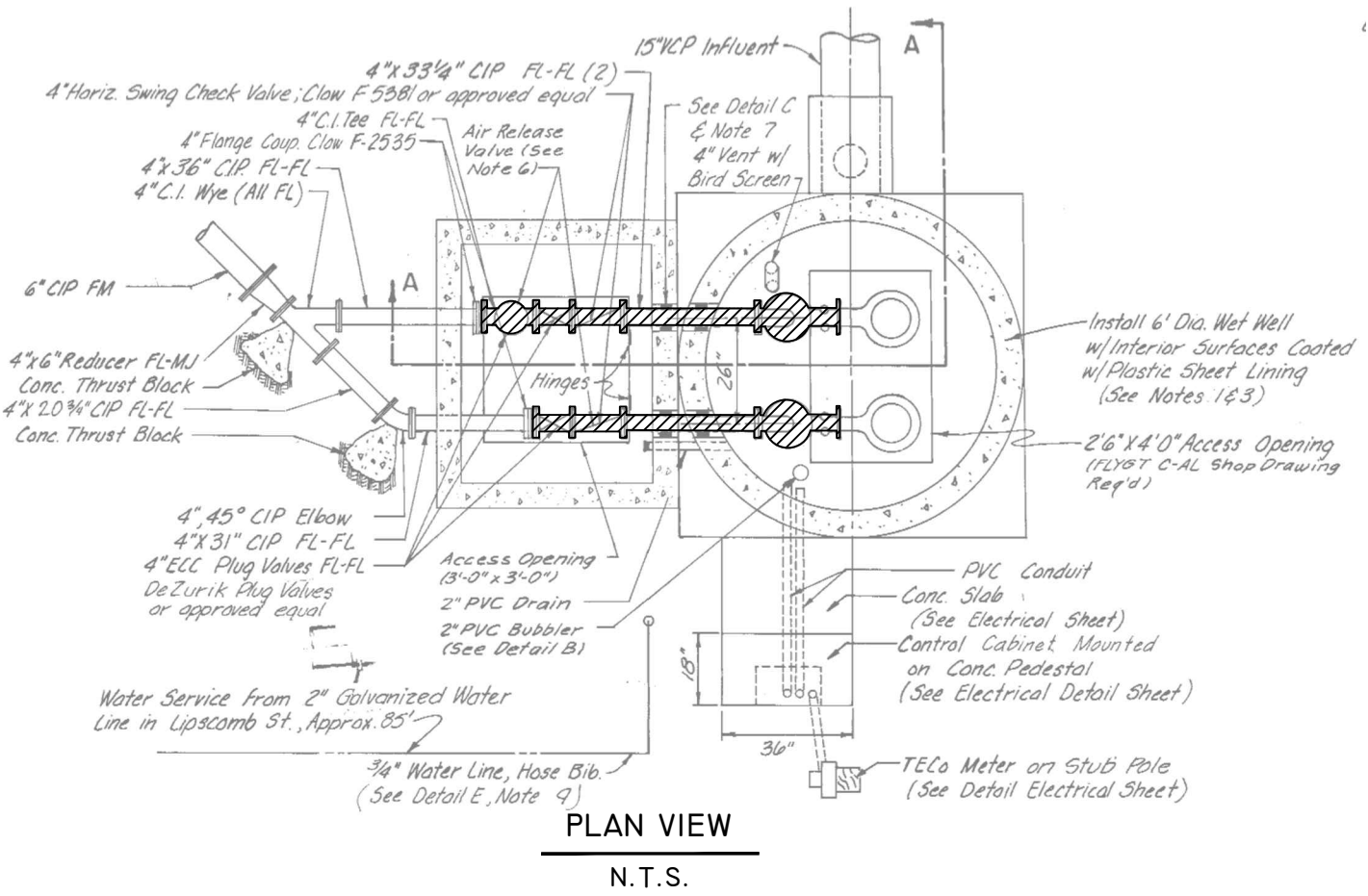
DES: V.T.
DRN: M.R.L.
CKD:
DATE:

CITY of TAMPA
WASTEWATER DEPARTMENT

MISCELLANEOUS PUMPING STATION REPAIRS
INTERBAY PUMPING STATION - SITE PLAN

W.O. 5935
SHEET
17
OF 61

 HATCHED AREAS ON THIS SHEET INDICATE PIPING FITTINGS AND VALVES TO BE REMOVED



User: ss8k Drawing Name: K:\WW_Projects\2012\5935_Various Pumping Station Improvements\DWG\INTERBAY.dwg Layout: Jun 20, 2013 - 2:33pm CTB - WW.CTB

JACINTO CARLOS FERRAS, P.E. #49454
 DESIGN DIVISION HEAD
 WASTEWATER DEPARTMENT

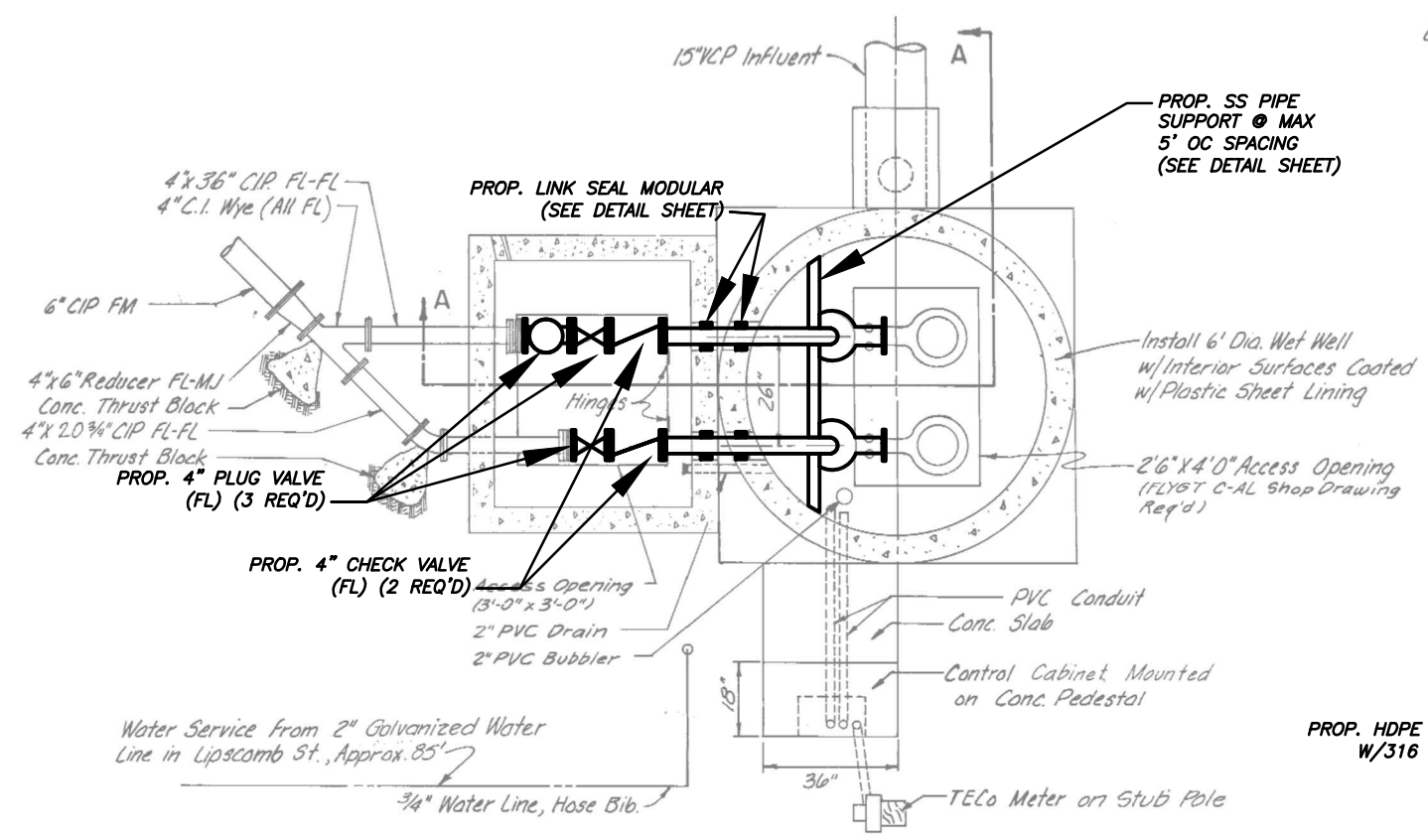
No.	DATE	REVISIONS
3		
2		
1		

DES: V.T.
 DRN: M.R.L.
 CKD:
 DATE:

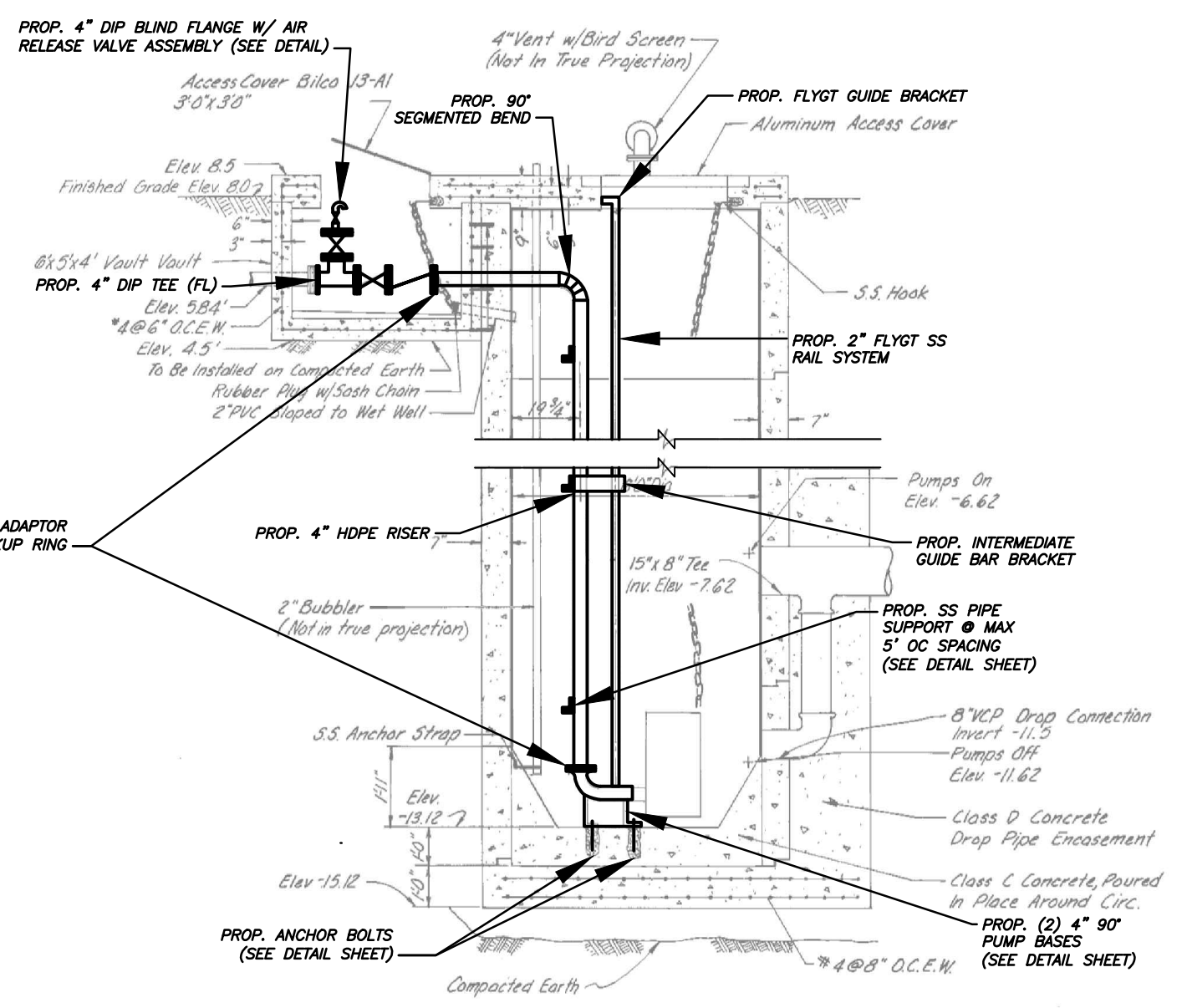
CITY of TAMPA
 WASTEWATER DEPARTMENT

MISCELLANEOUS PUMPING STATION REPAIRS
INTERBAY PUMPING STATION - DEMOLITION

W.O. 5935
 SHEET
 18
 OF 61



PLAN VIEW
N.T.S.



SECTION A-A
N.T.S.

User: ss8k Drawing Name: K:\WW_Projects\2012\2012_5935_Various Pumping Station Improvements\DWG\INTERBAY.dwg Layout: Jun 20, 2013 - 2:33pm CTB - WW.CTB

No.	DATE	REVISIONS
3		
2		
1		

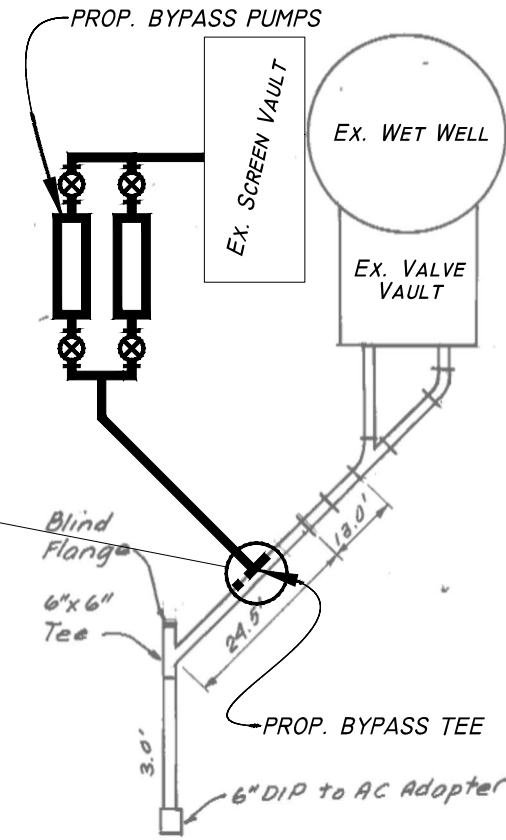
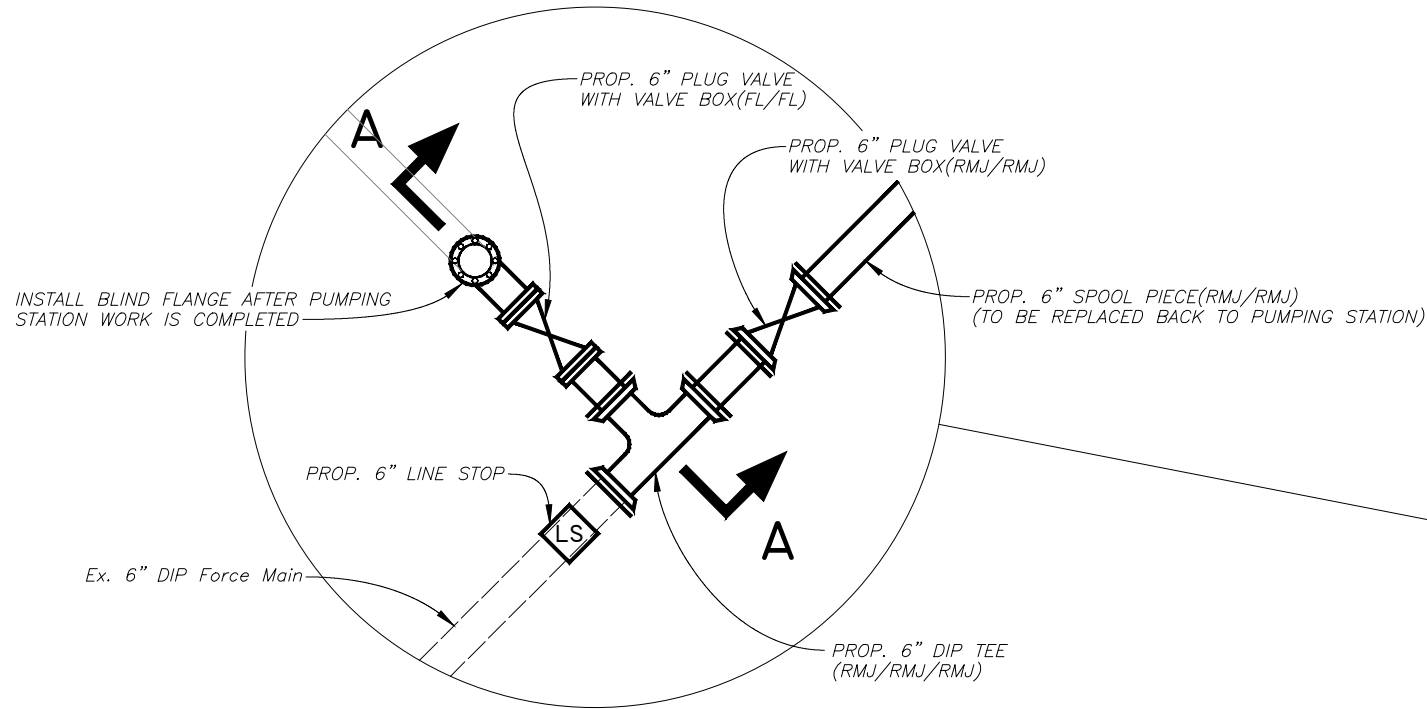
DES: V.T.
DRN: M.R.L.
CKD:
DATE:

CITY of TAMPA
WASTEWATER DEPARTMENT

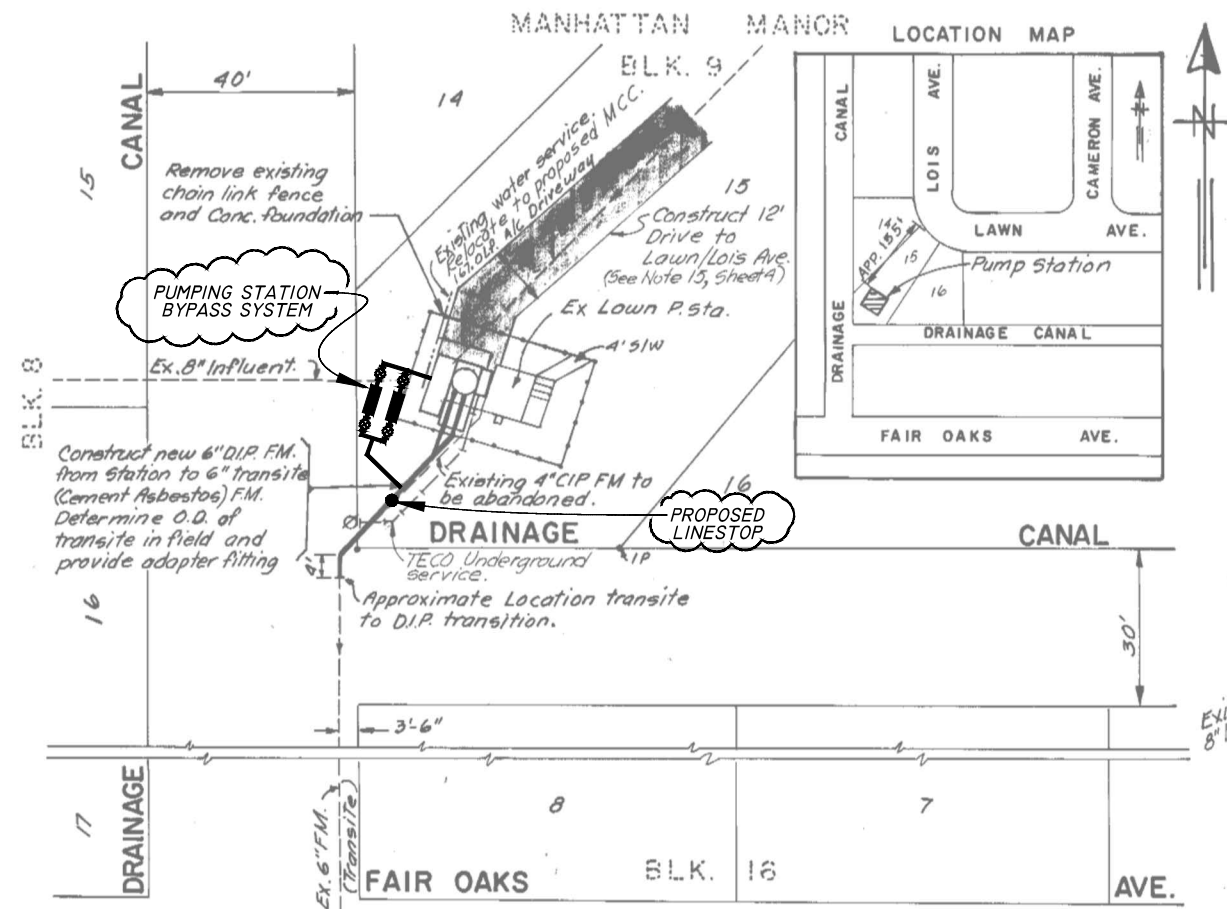
MISCELLANEOUS PUMPING STATION REPAIRS
INTERBAY PUMPING STATION - PROPOSED

W.O. 5935
SHEET
19
OF 61

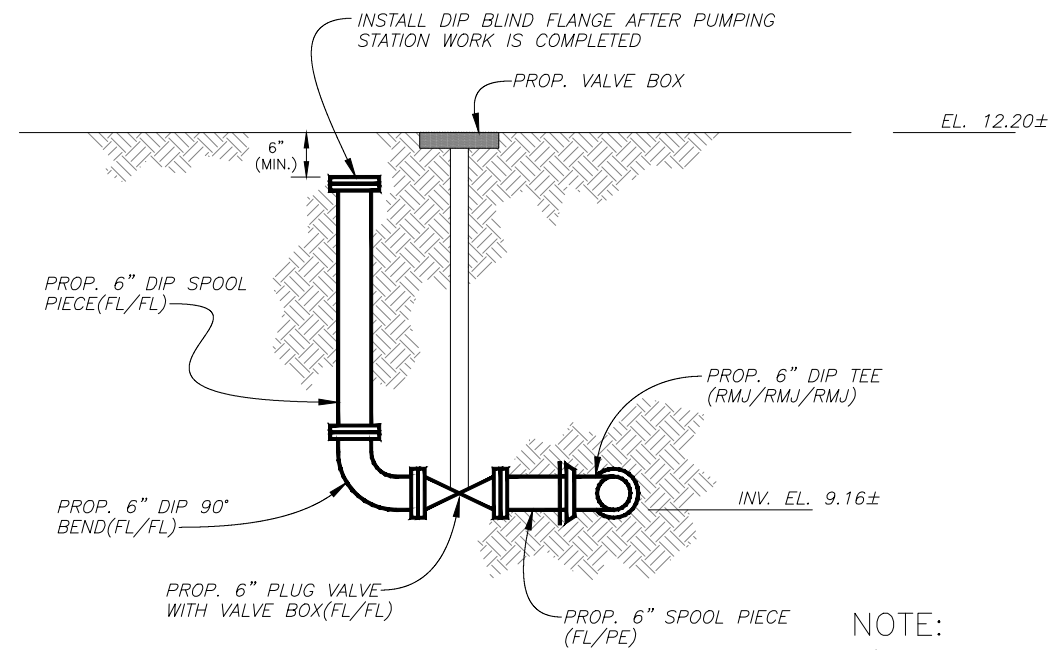
JACINTO CARLOS FERRAS, P.E. #49454
DESIGN DIVISION HEAD
WASTEWATER DEPARTMENT



BYPASS PLAN
NOT TO SCALE



SITE PLAN
NOT TO SCALE



SECTION A-A
NOT TO SCALE

NOTE:
A) CONTRACTOR SHALL PROVIDE AN ADDITIONAL DAY OF BYPASS FOR CITY TO INSTALL NEW RAIL ADAPTERS.

User: ss8k Drawing Name: K:\WW_Projects\2012\2012_5935_Various Pumping Station Improvements\DWG\5935-Lawn P.S.dwg Layout- Jun 20, 2013 - 2:36pm

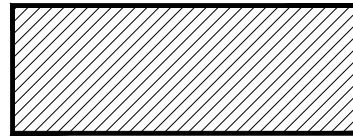
No.	DATE	REVISIONS
3		
2		
1		

DES: V.T.
DRN: BB
CKD:
DATE:

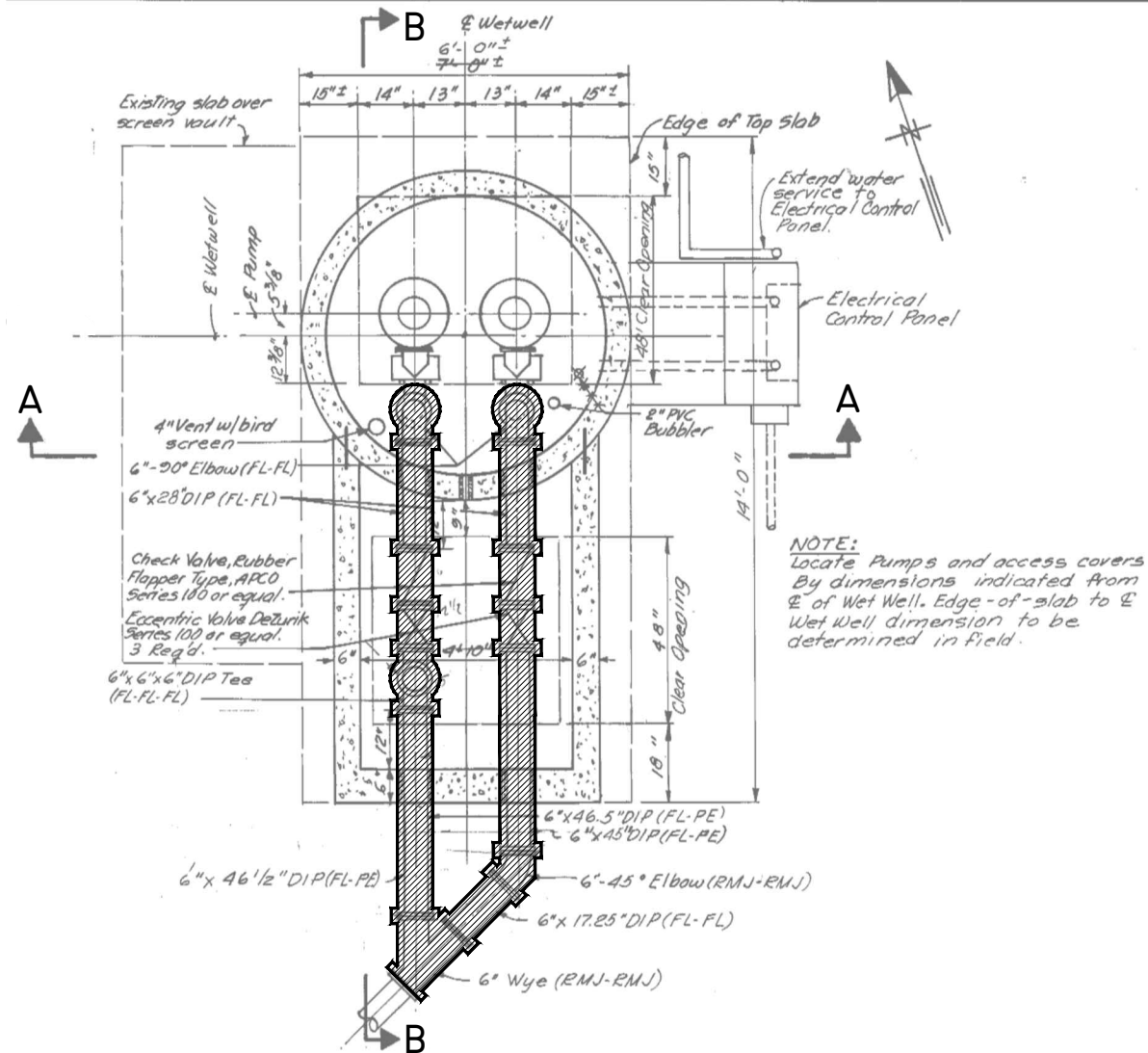
CITY of TAMPA
WASTEWATER DEPARTMENT

MISCELLANEOUS PUMPING STATION REPAIRS
LAWN PUMPING STATION - SITE PLAN

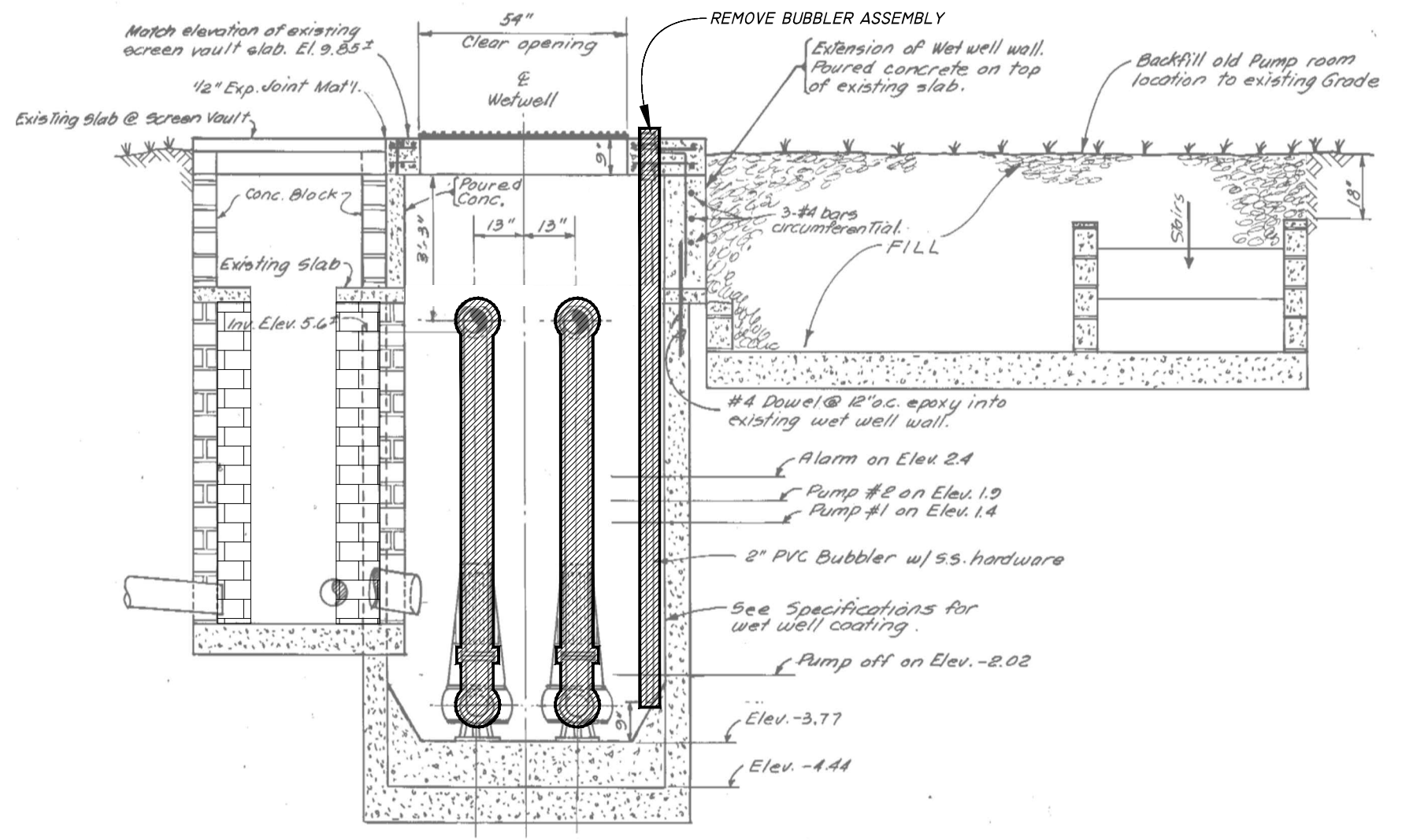
W.O. 5935
SHEET
20
OF 61



HATCHED AREAS ON THIS SHEET INDICATE PIPING, FITTINGS AND VALVES TO BE REMOVED

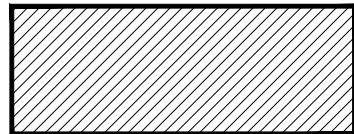


NOTE:
Locate Pumps and access covers by dimensions indicated from \mathcal{E} of Wet Well. Edge-of-slab to \mathcal{E} of Wet Well dimension to be determined in field.

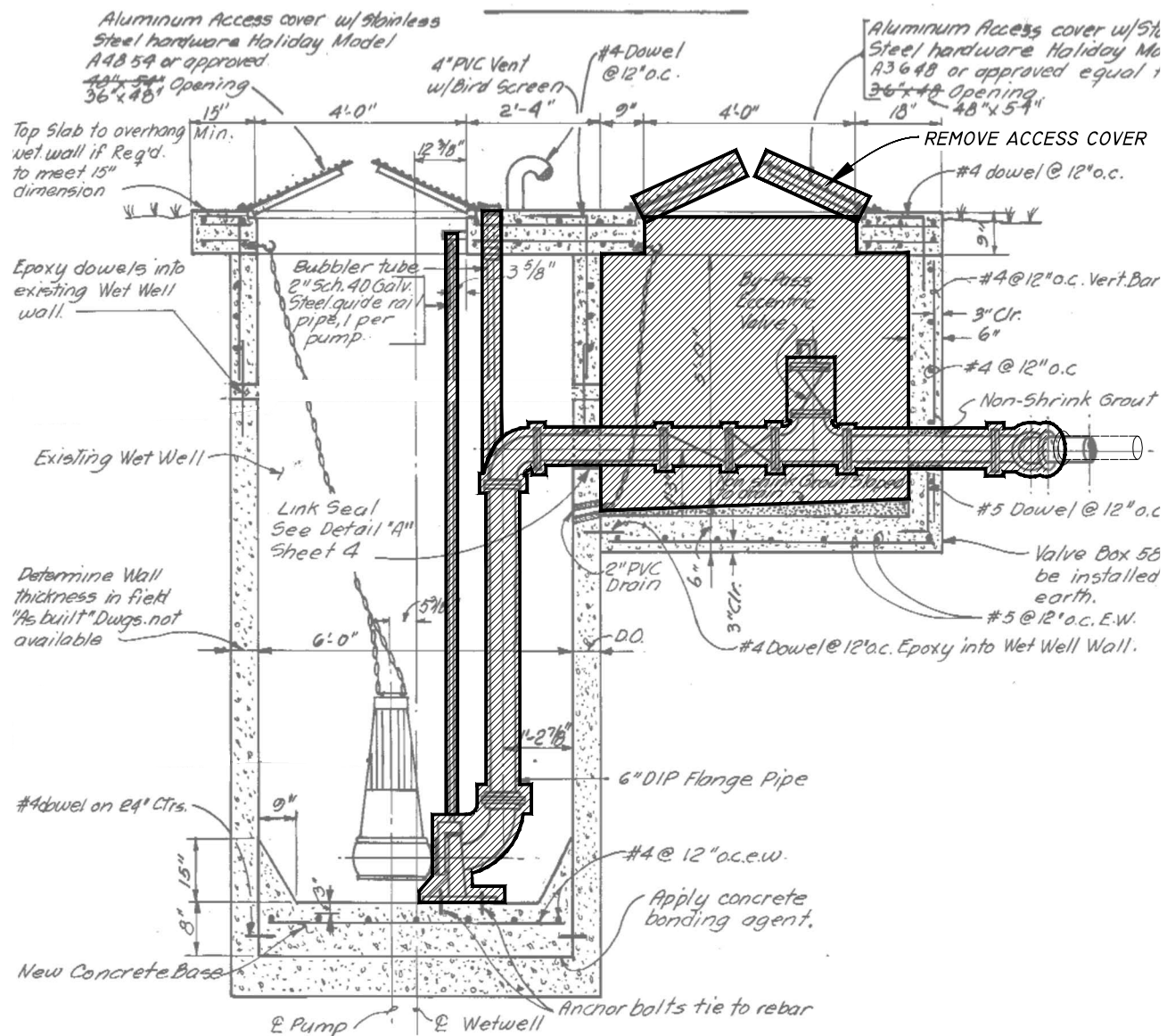


User: ss6k Drawing Name: K:\MW_Projects\2012_5935_Various Pumping Station Improvements\DWG\5935-Lawn P.S.dwg Layout- Jun 20, 2013 - 2:56pm

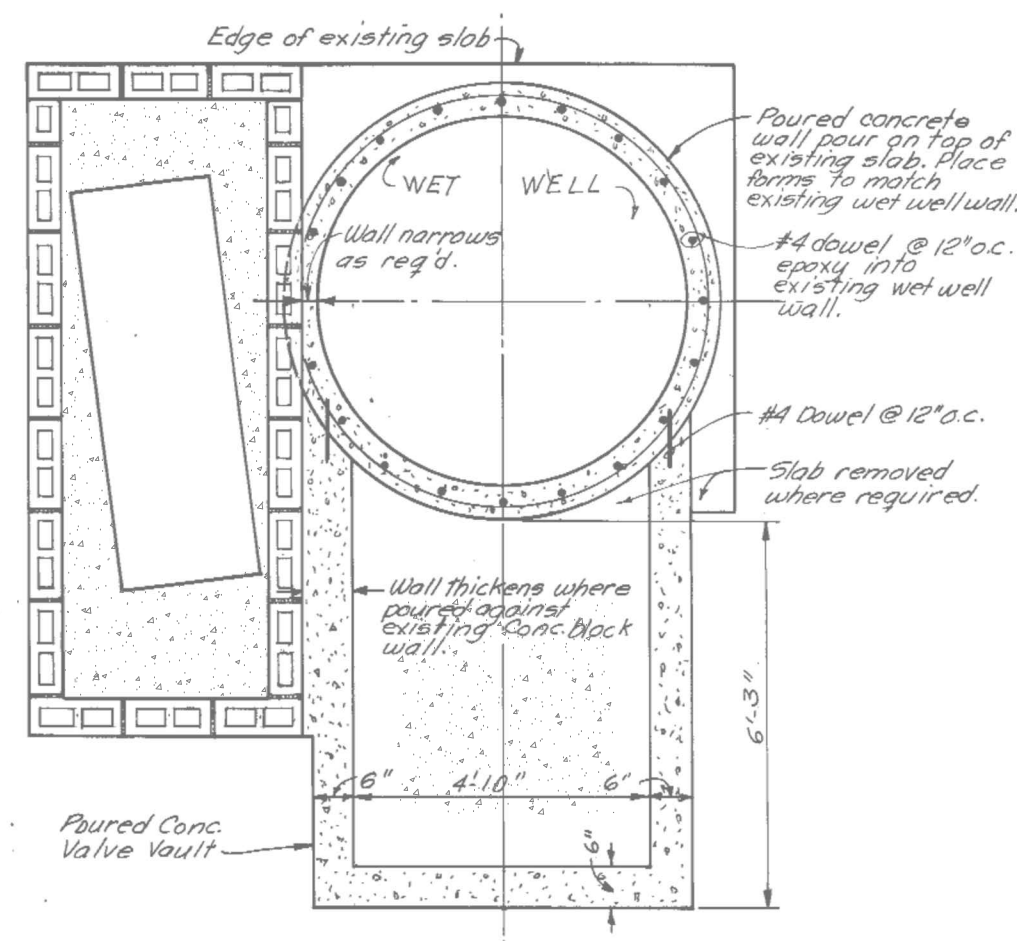
JACINTO CARLOS FERRAS, P.E. #49454 DESIGN DIVISION HEAD WASTEWATER DEPARTMENT	No.	DATE	REVISIONS	DES: V.T.	CITY of TAMPA WASTEWATER DEPARTMENT	MISCELLANEOUS PUMPING STATION REPAIRS LAWN PUMPING STATION - DEMOLITION SECTIONS 1	W.O. 5935
	3			DRN: BB			SHEET
	2			CKD:			21
	1			DATE:			OF 61



HATCHED AREAS ON THIS SHEET INDICATE PIPING, FITTINGS AND VALVES TO BE REMOVED



SECTION B-B
NOT TO SCALE



SECTIONAL PLAN
NOT TO SCALE

User: JCFERRAS\JCFERRAS\Projects\2013\11\11_06\11_06_01_PumpStation\DWG\5935-Lawn_P.S.dwg
Layout: Jun 20, 2013 2:56pm

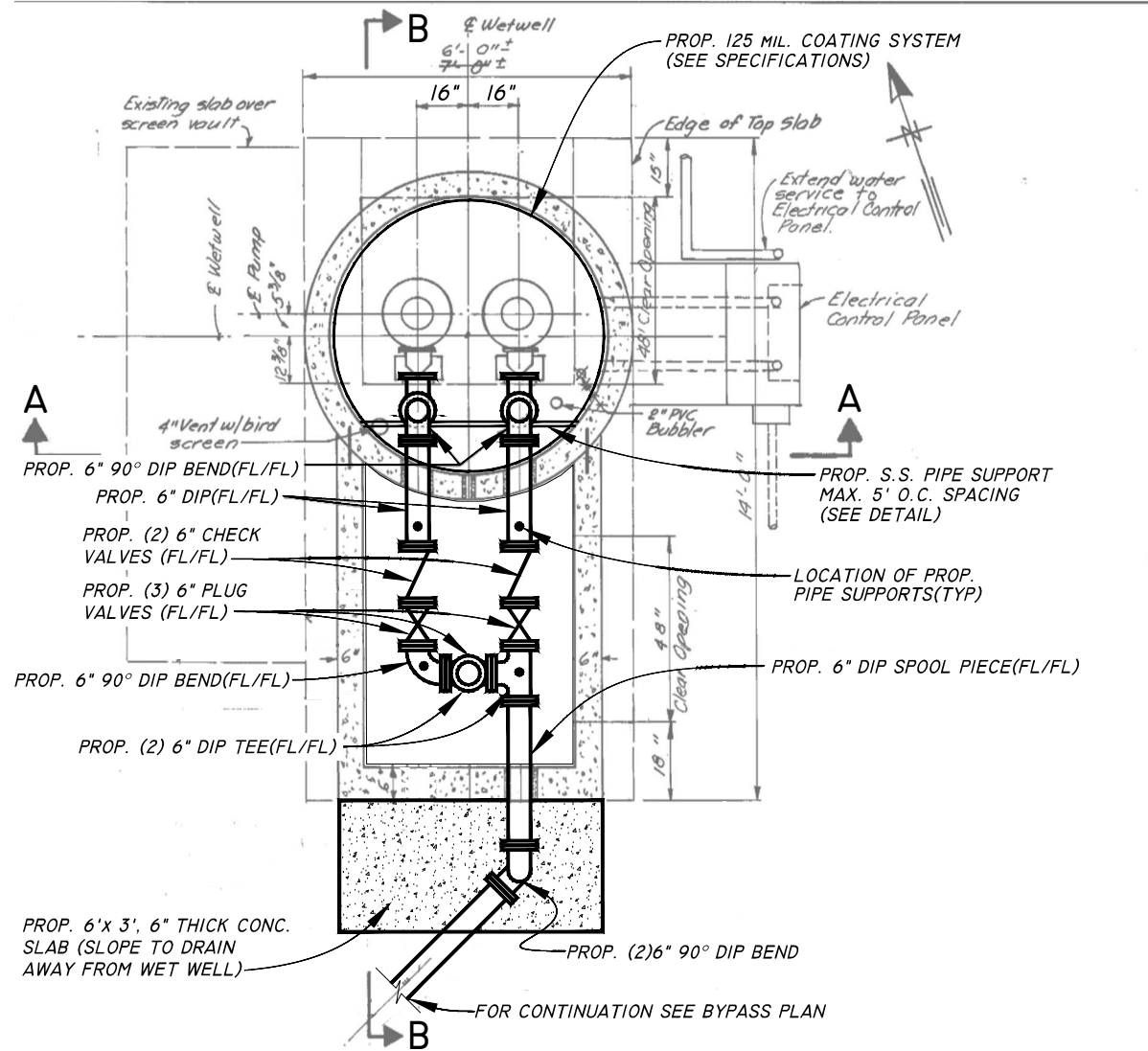
No.	DATE	REVISIONS
3		
2		
1		

JACINTO CARLOS FERRAS, P.E. #49454
DESIGN DIVISION HEAD
WASTEWATER DEPARTMENT

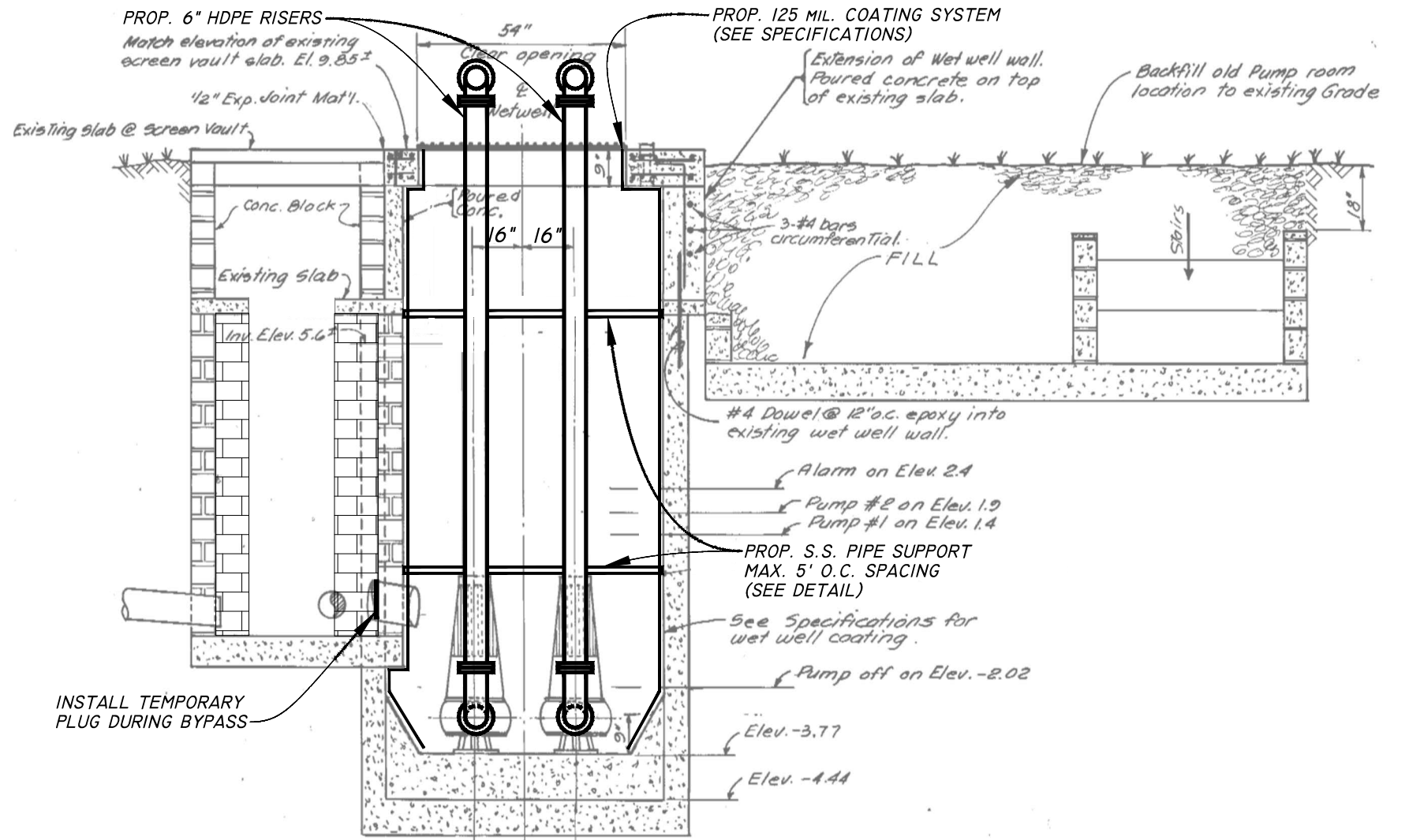
DES: V.T.
DRN: BB
CKD:
DATE:

CITY of TAMPA
WASTEWATER DEPARTMENT

MISCELLANEOUS PUMPING STATION REPAIRS
LAWN PUMPING STATION - DEMOLITION SECTIONS 2



SECTIONAL PLAN
NOT TO SCALE



SECTION A-A
NOT TO SCALE

User: ss6k Drawing Name: K:\MW_Projects\2012\2012_5935_Various Pumping Station Improvements\DWG\5935-Lawn P.S.dwg Layout- Jun 20, 2013 - 2:36pm

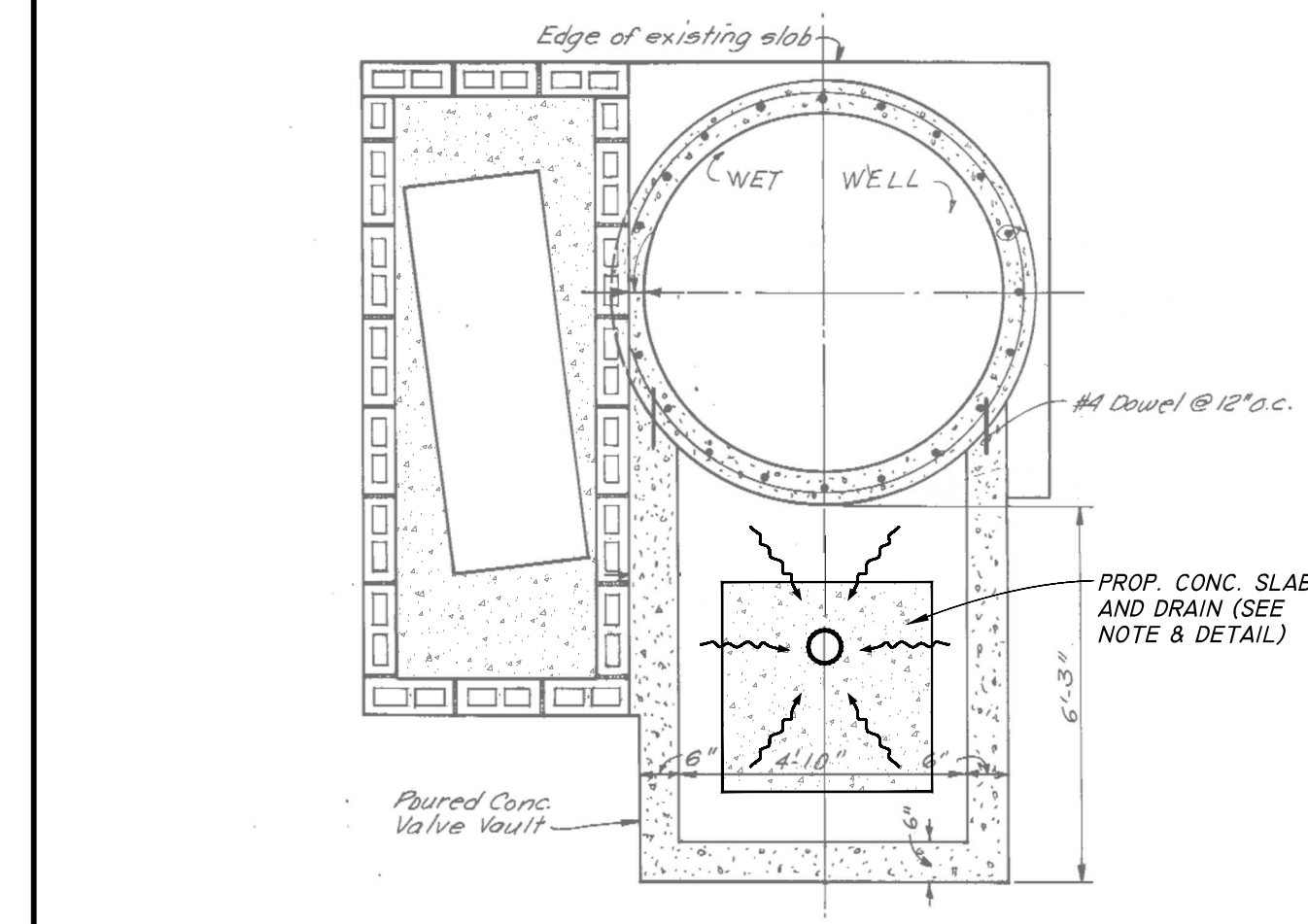
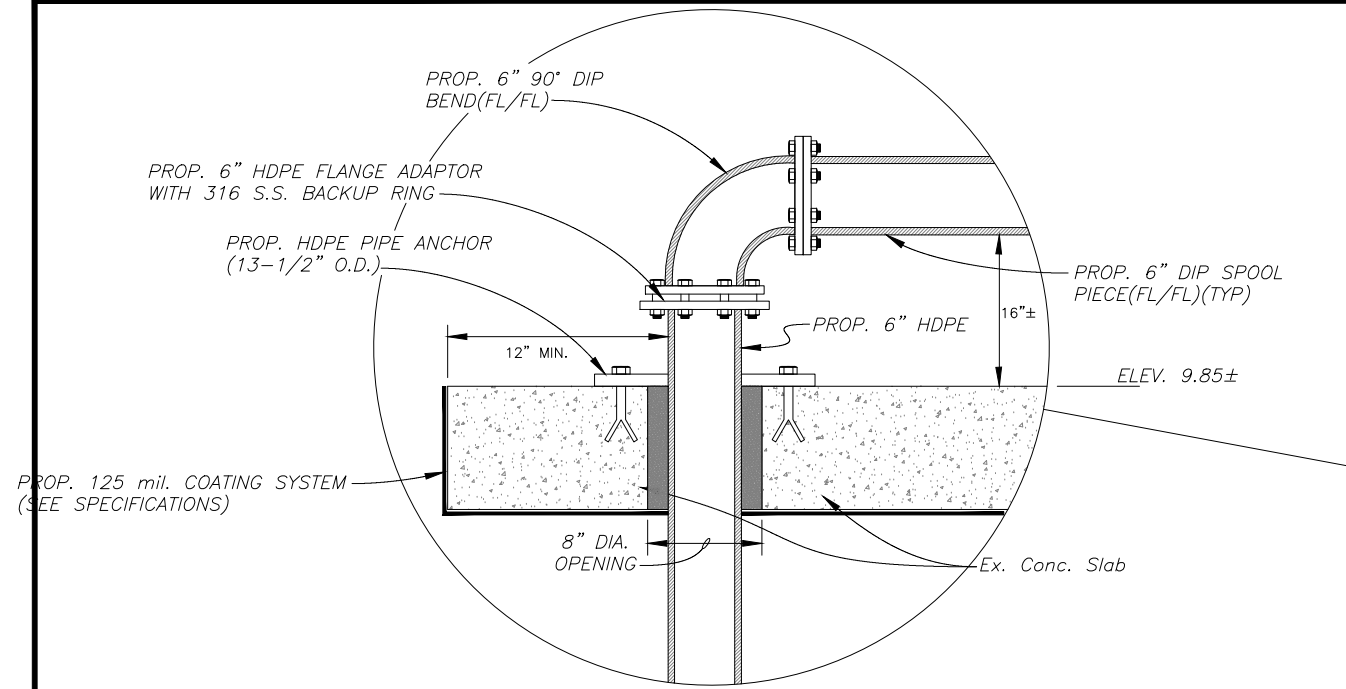
No.	DATE	REVISIONS
3		
2		
1		

DES: V.T.
DRN: BB
CKD:
DATE:

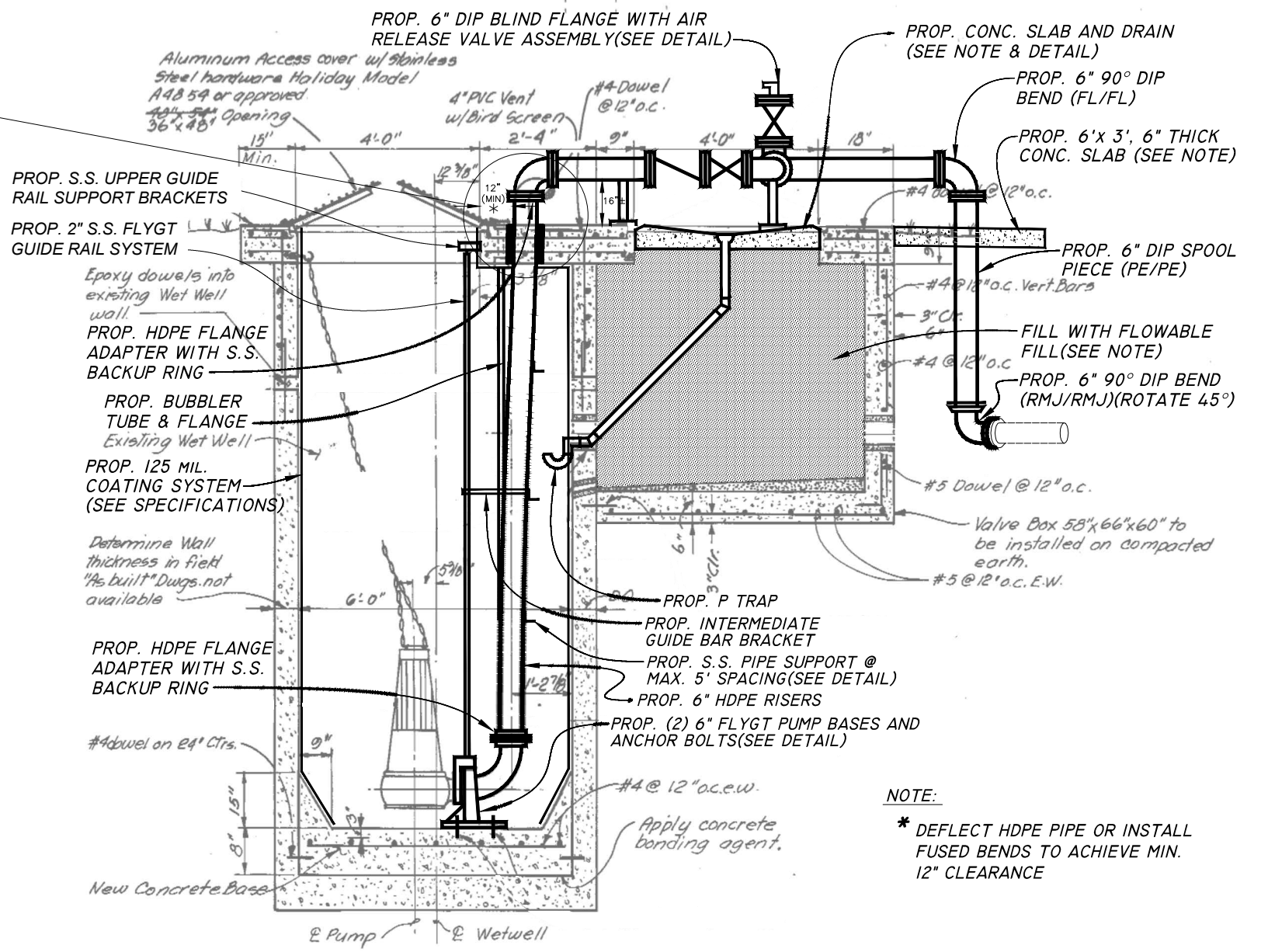
CITY of TAMPA
WASTEWATER DEPARTMENT

MISCELLANEOUS PUMPING STATION REPAIRS
LAWN PUMPING STATION - PROPOSED SECTIONS 1

W.O. 5935
SHEET
23
OF 61



SECTIONAL PLAN
NOT TO SCALE



SECTION B-B
NOT TO SCALE

NOTE:
* DEFLECT HDPE PIPE OR INSTALL FUSED BENDS TO ACHIEVE MIN. 12" CLEARANCE

User: ss&k Drawing Name: K:\MW_Projects\2012\2012_5935_Various Pumping Station Improvements\DWG\5935-Lawn P.S.dwg Layout- Jun 25, 2013 - 11:37am

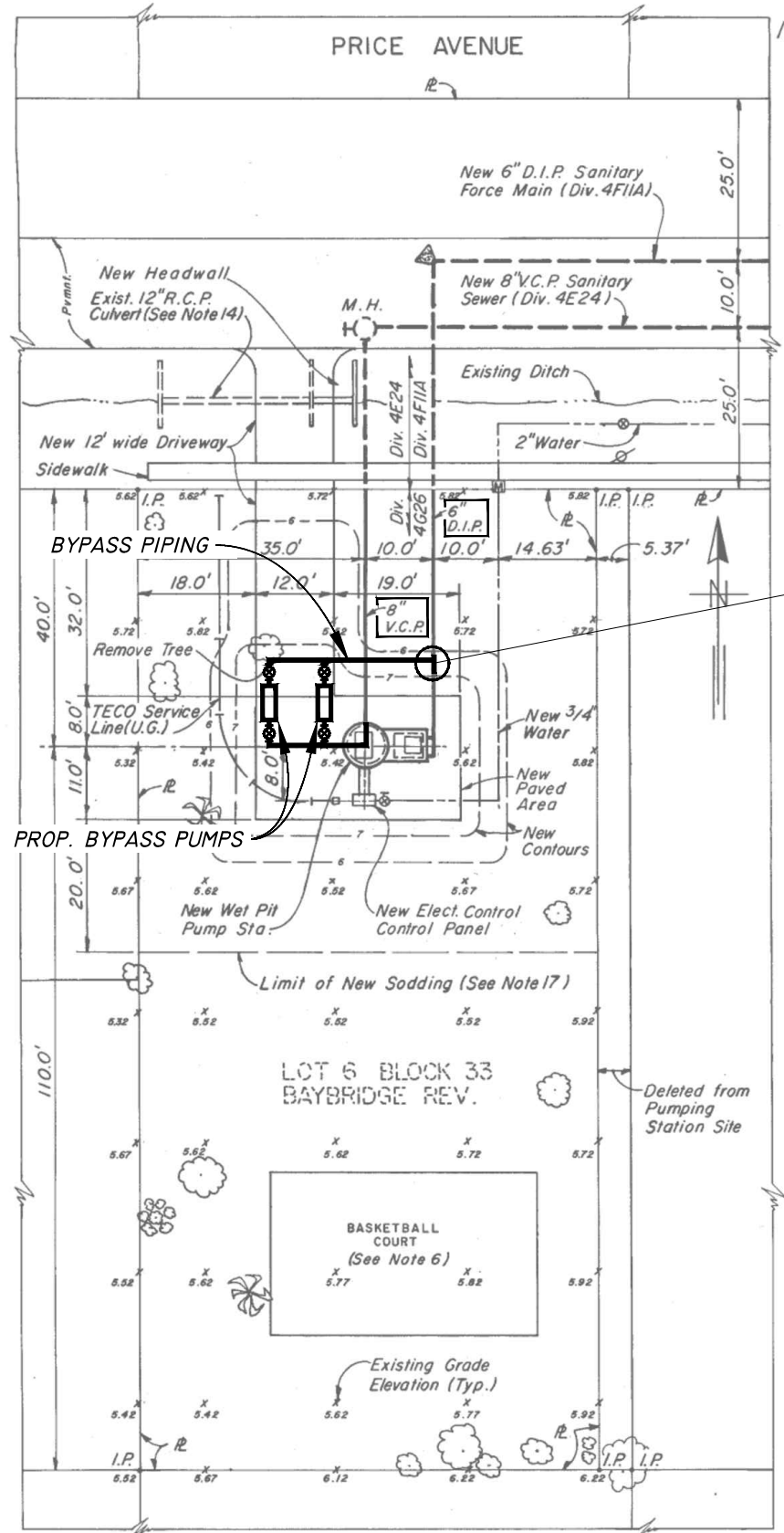
No.	DATE	REVISIONS
3		
2		
1		

DES: V.T.
DRN: BB
CKD:
DATE:

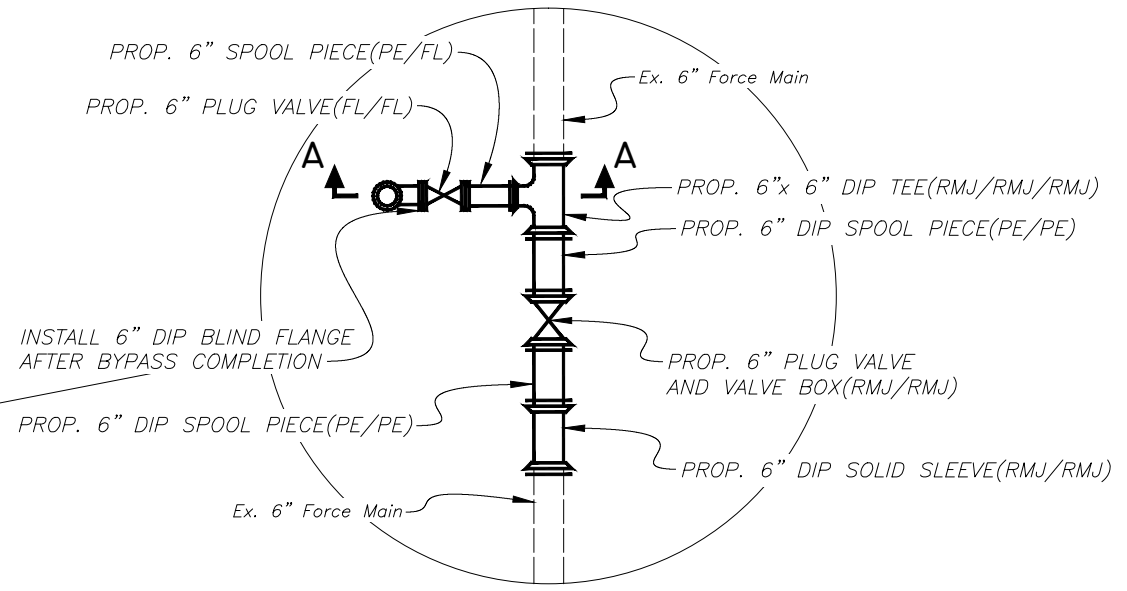
CITY of TAMPA
WASTEWATER DEPARTMENT

MISCELLANEOUS PUMPING STATION REPAIRS
LAWN PUMPING STATION - PROPOSED SECTIONS 2

W.O. 5935
SHEET
24
OF 61

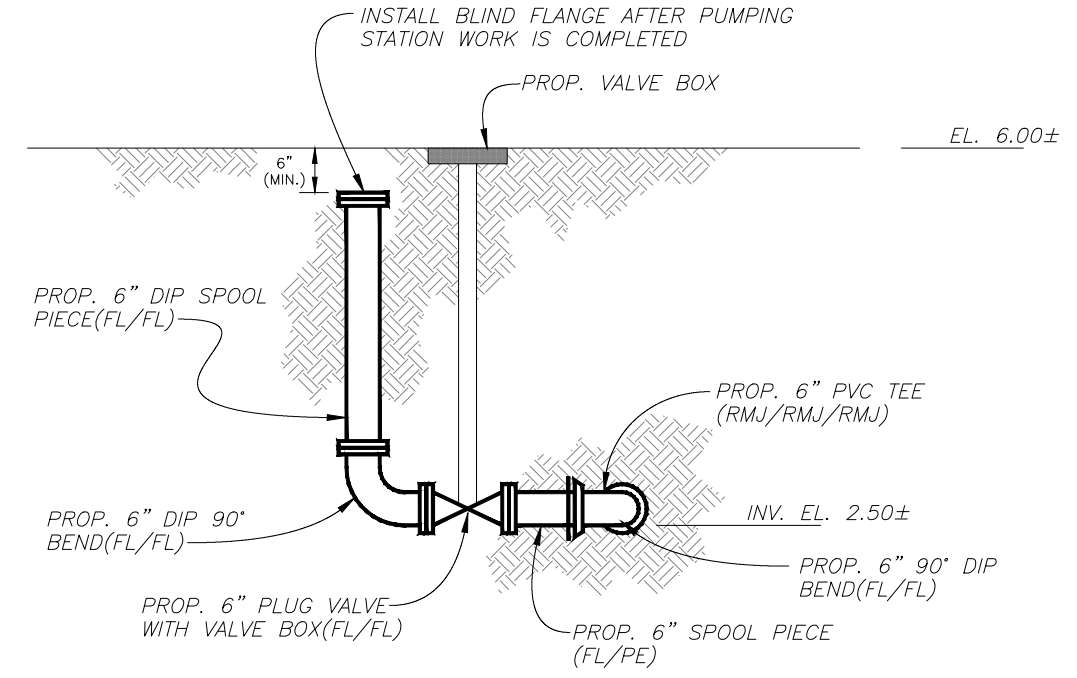


SITE PLAN
NOT TO SCALE



DETAIL
NOT TO SCALE

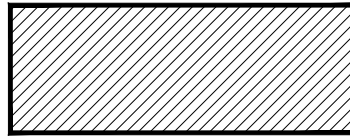
NOTE:
DRAIN FORCE MAIN BACK INTO WET WELL



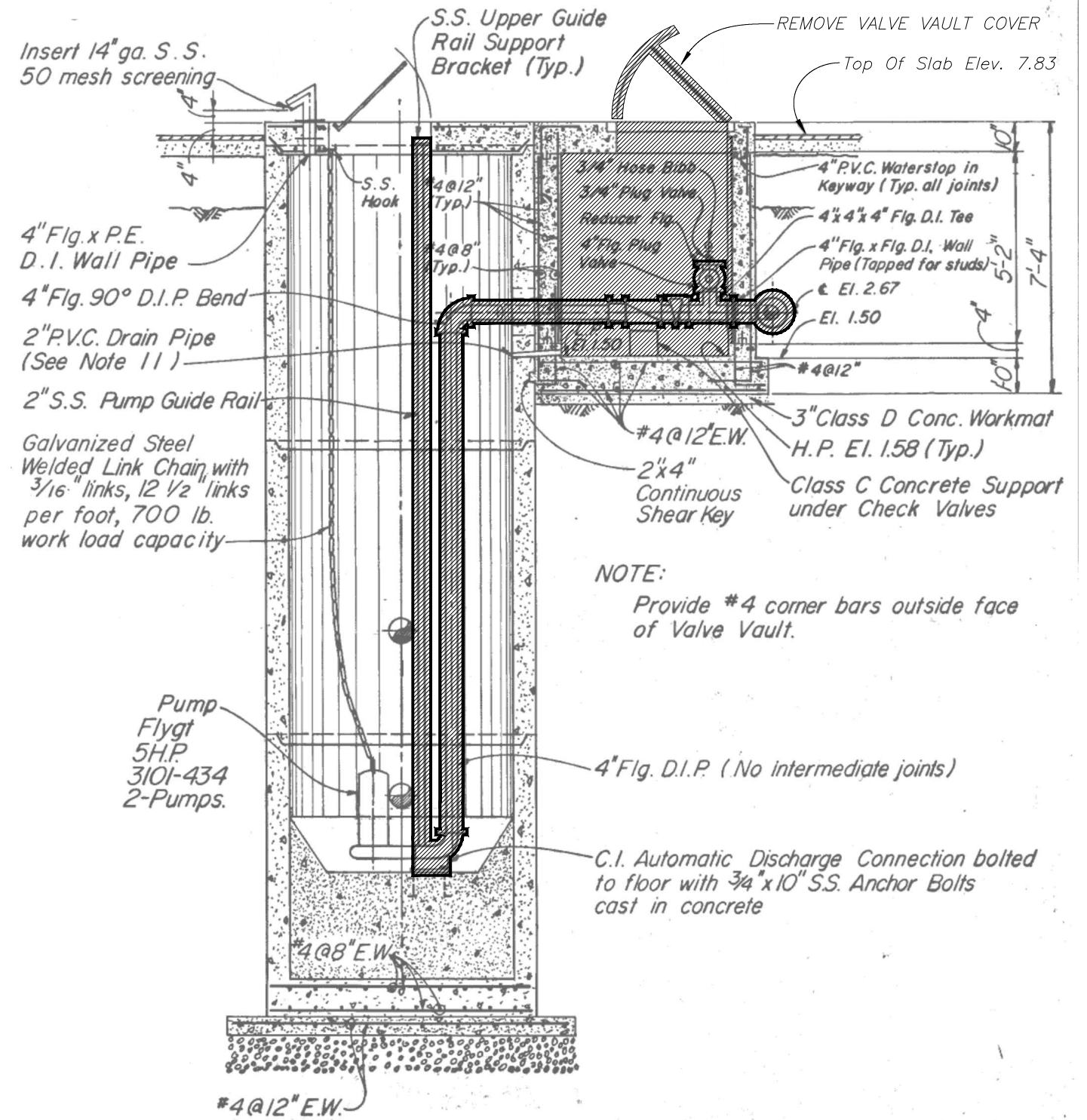
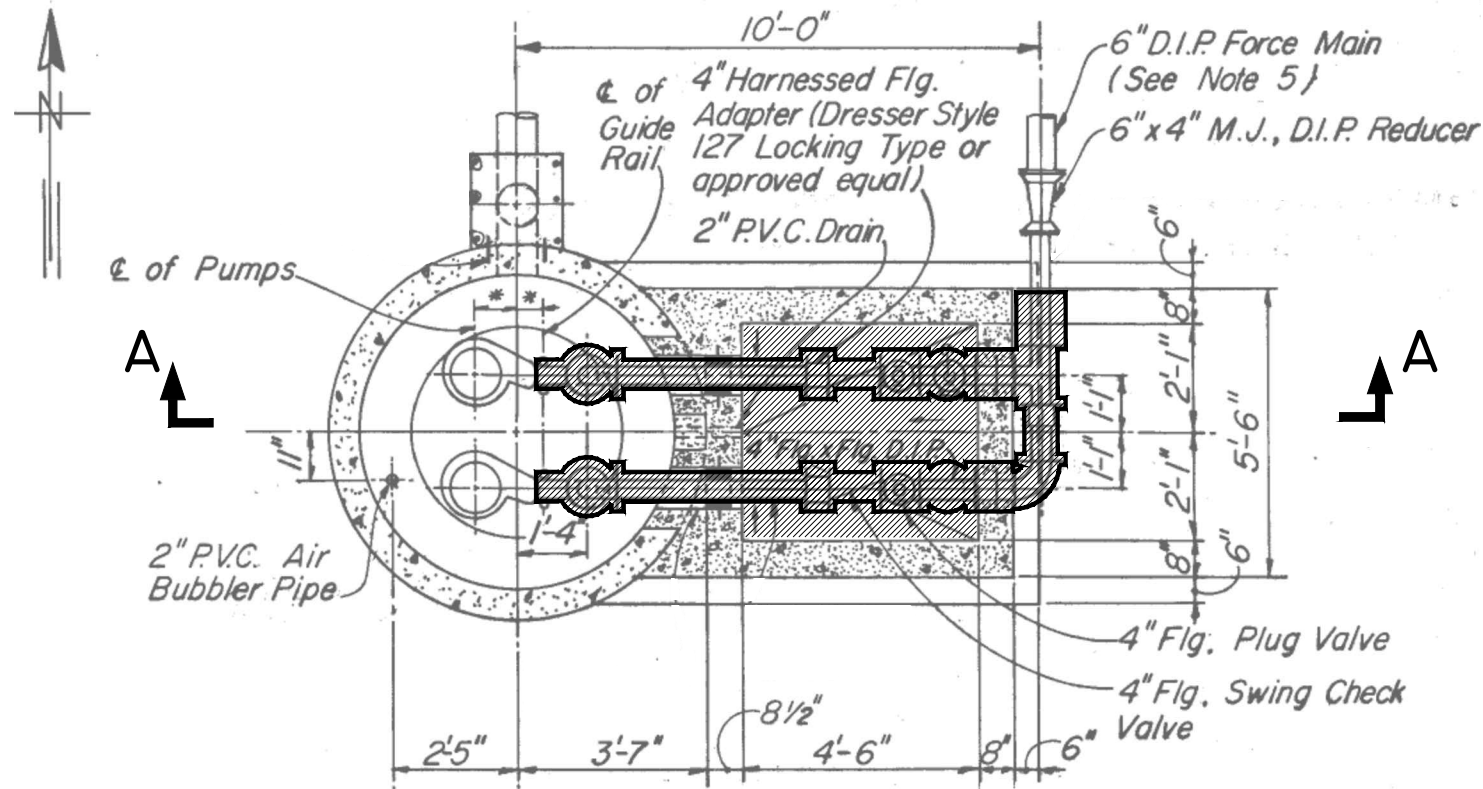
SECTION A-A
NOT TO SCALE

User: ss6k Drawing Name: K:\MW_Projects\2012\2012_5935_Various Pumping Station Improvements\DWG\5935-Price P.S.dwg Layout- Jun 21, 2013 - 3:55pm

JACINTO CARLOS FERRAS, P.E. #49454 DESIGN DIVISION HEAD WASTEWATER DEPARTMENT	No.	DATE	REVISIONS	DES: V.T.	CITY of TAMPA WASTEWATER DEPARTMENT	MISCELLANEOUS PUMPING STATION REPAIRS PRICE PUMPING STATION - SITE PLAN	W.O. 5935
	3			DRN: BB			SHEET
	2			CKD:			25
	1			DATE:			OF 61



HATCHED AREAS ON THIS SHEET INDICATE PIPING, FITTINGS AND VALVES TO BE REMOVED



NOTE:
Provide #4 corner bars outside face of Valve Vault.

User: ss6k Drawing Name: K:\MW_Projects\2012\2012_5935_Various Pumping Station Improvements\DWG\5935-Price P.S.dwg Layout- Jun 21, 2013 - 3:55pm

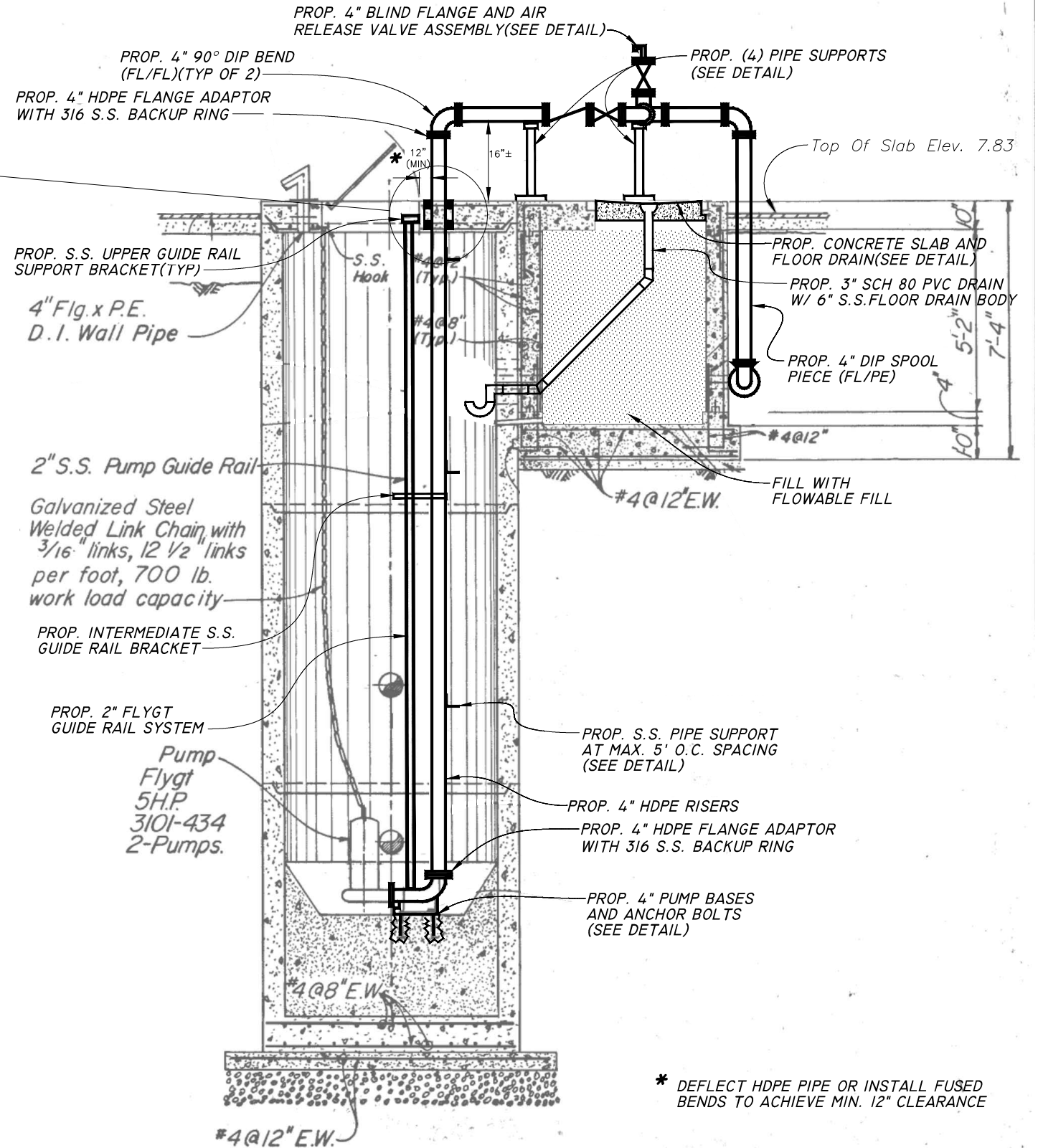
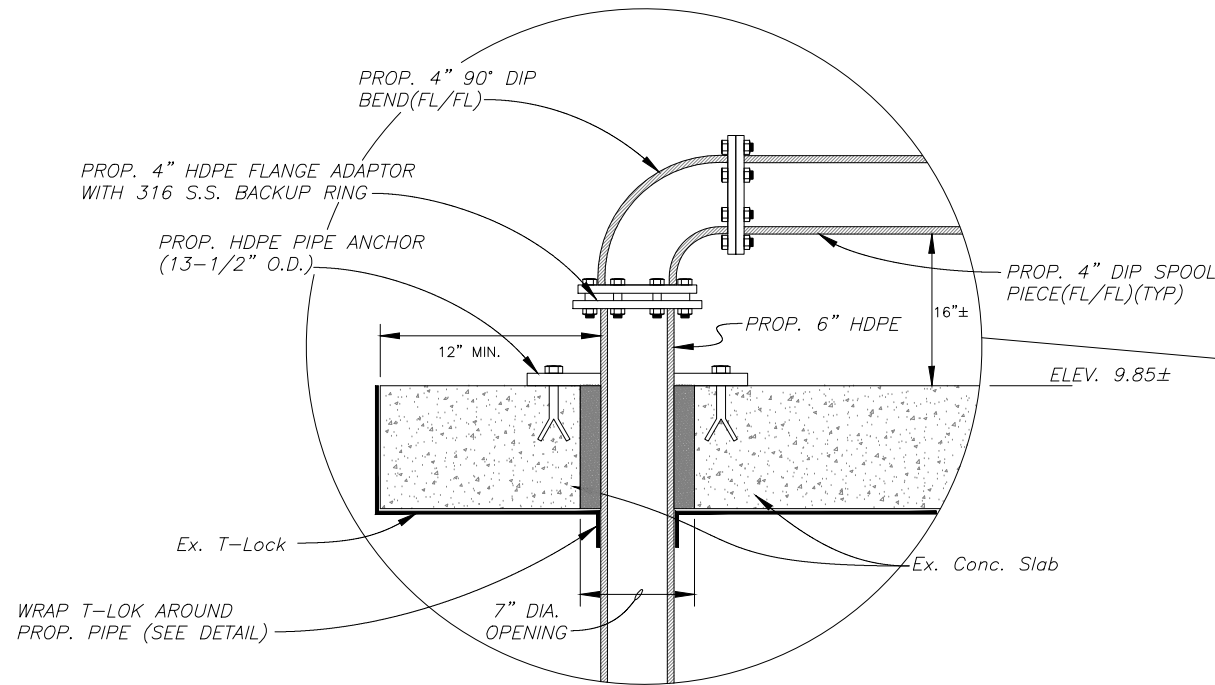
No.	DATE	REVISIONS
3		
2		
1		

DES: V.T.
DRN: BB
CKD:
DATE:

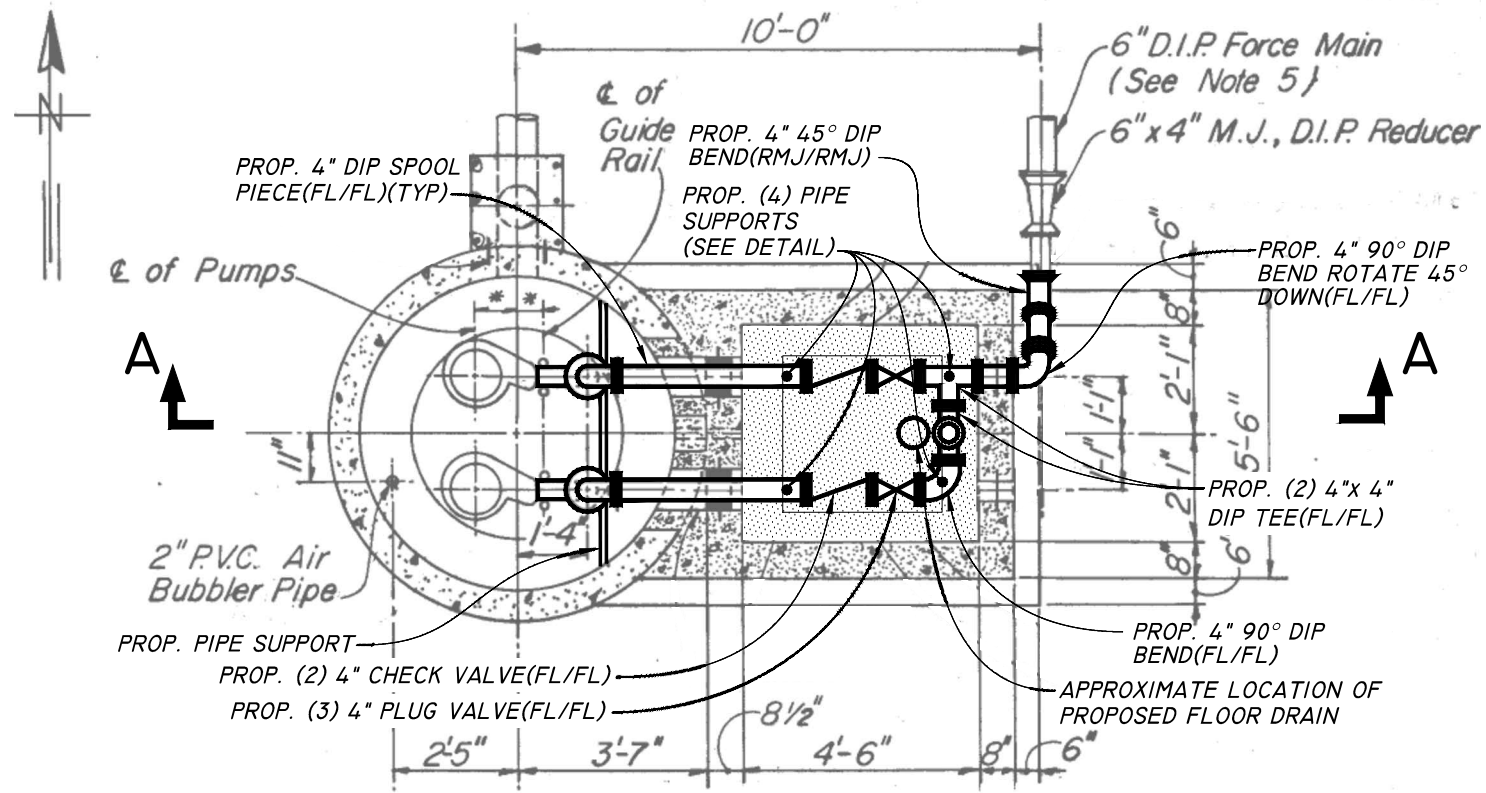
CITY of TAMPA
WASTEWATER DEPARTMENT

MISCELLANEOUS PUMPING STATION REPAIRS
PRICE PUMPING STATION - EXISTING SECTIONS

W.O. 5935
SHEET
26
OF 61



* DEFLECT HDPE PIPE OR INSTALL FUSED BENDS TO ACHIEVE MIN. 12" CLEARANCE



SECTION PLAN
NOT TO SCALE

SECTION A-A
NOT TO SCALE

User: ss8k Drawing Name: K:\MW\Projects\2012\2012_5935_Various Pumping Station Improvements\DWG\5935-Price P.S.dwg Layout- Jun 21, 2013 - 3:55pm

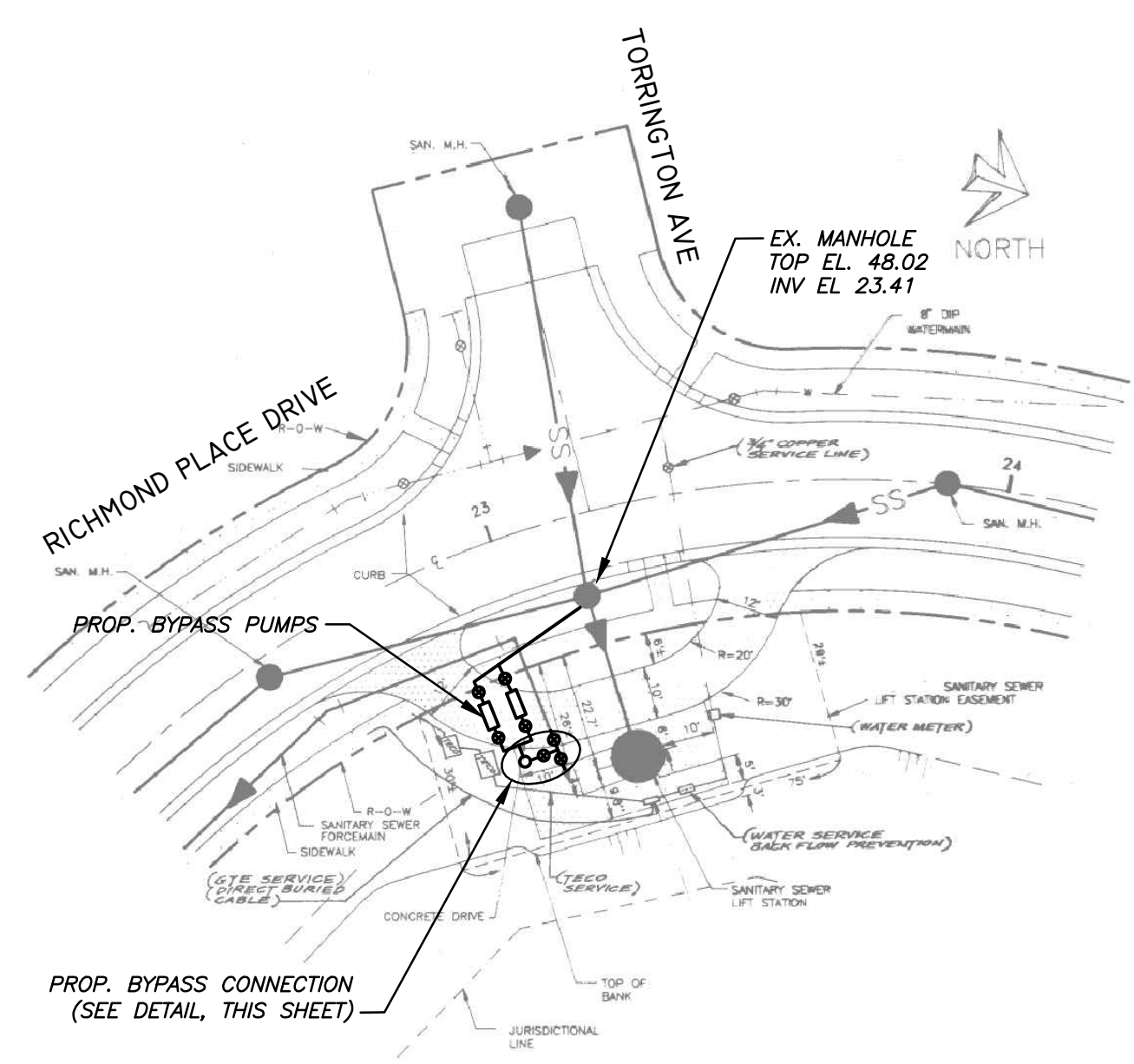
No.	DATE	REVISIONS
3		
2		
1		

DES: V.T.
DRN: BB
CKD:
DATE:

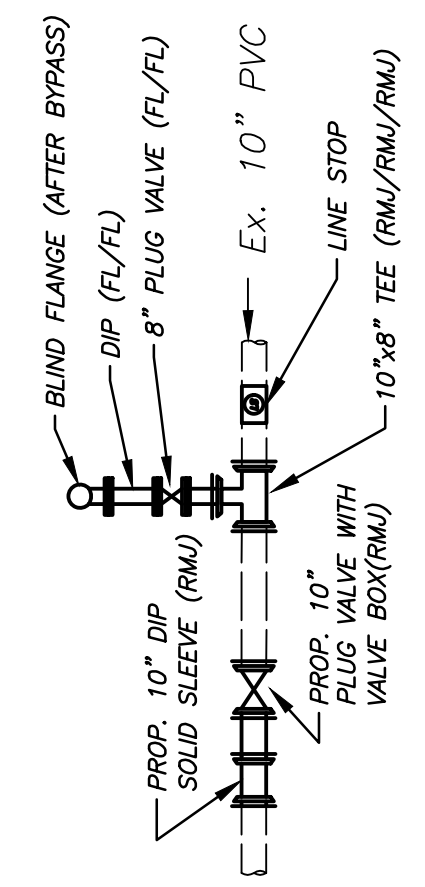
CITY of TAMPA
WASTEWATER DEPARTMENT

MISCELLANEOUS PUMPING STATION REPAIRS
PRICE PUMPING STATION - PROPOSED SECTIONS

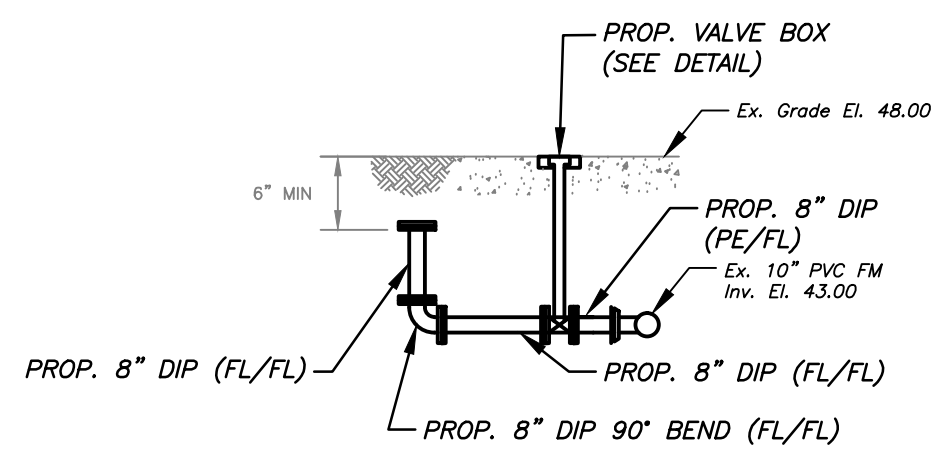
W.O. 5935
SHEET
27
OF 61



SITE PLAN
N.T.S.



BYPASS PLAN
N.T.S.



BYPASS PROFILE
N.T.S.

NOTE:
A) CONTRACTOR SHALL PROVIDE AN ADDITIONAL DAY OF BYPASS FOR CITY TO INSTALL NEW RAIL ADAPTORS.

User: ss8k Drawing Name: K:\WW_Projects\2012\2012_5935_Various Pumping Station Improvements\DWG\RICHMOND PLACE.dwg Layout: Jun 20, 2013 - 3:06pm CTB - WM.CTB

JACINTO CARLOS FERRAS, P.E. #49454
DESIGN DIVISION HEAD
WASTEWATER DEPARTMENT

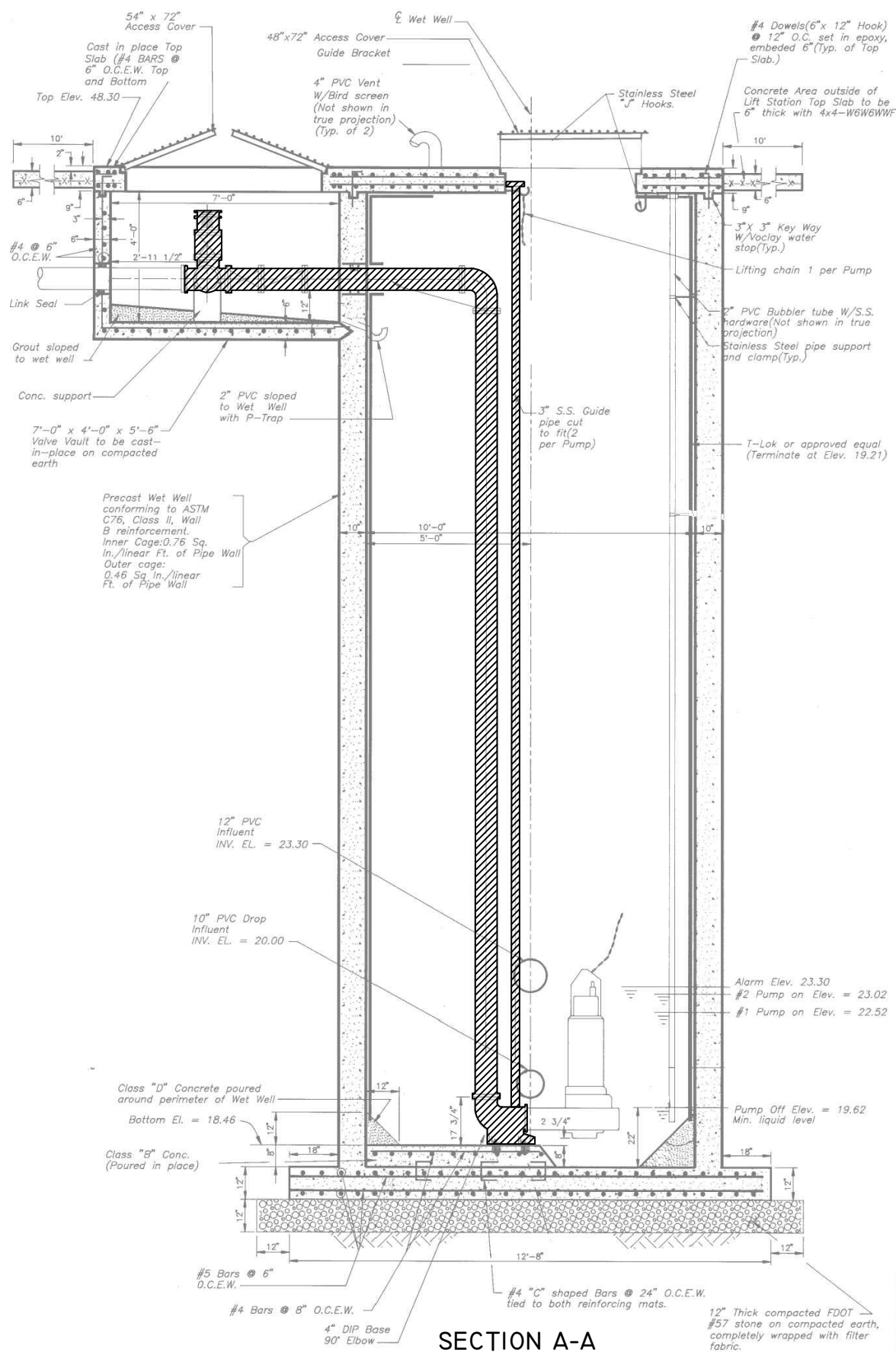
No.	DATE	REVISIONS
3		
2		
1		

DES: V.T.
DRN: M.R.L.
CKD:
DATE:

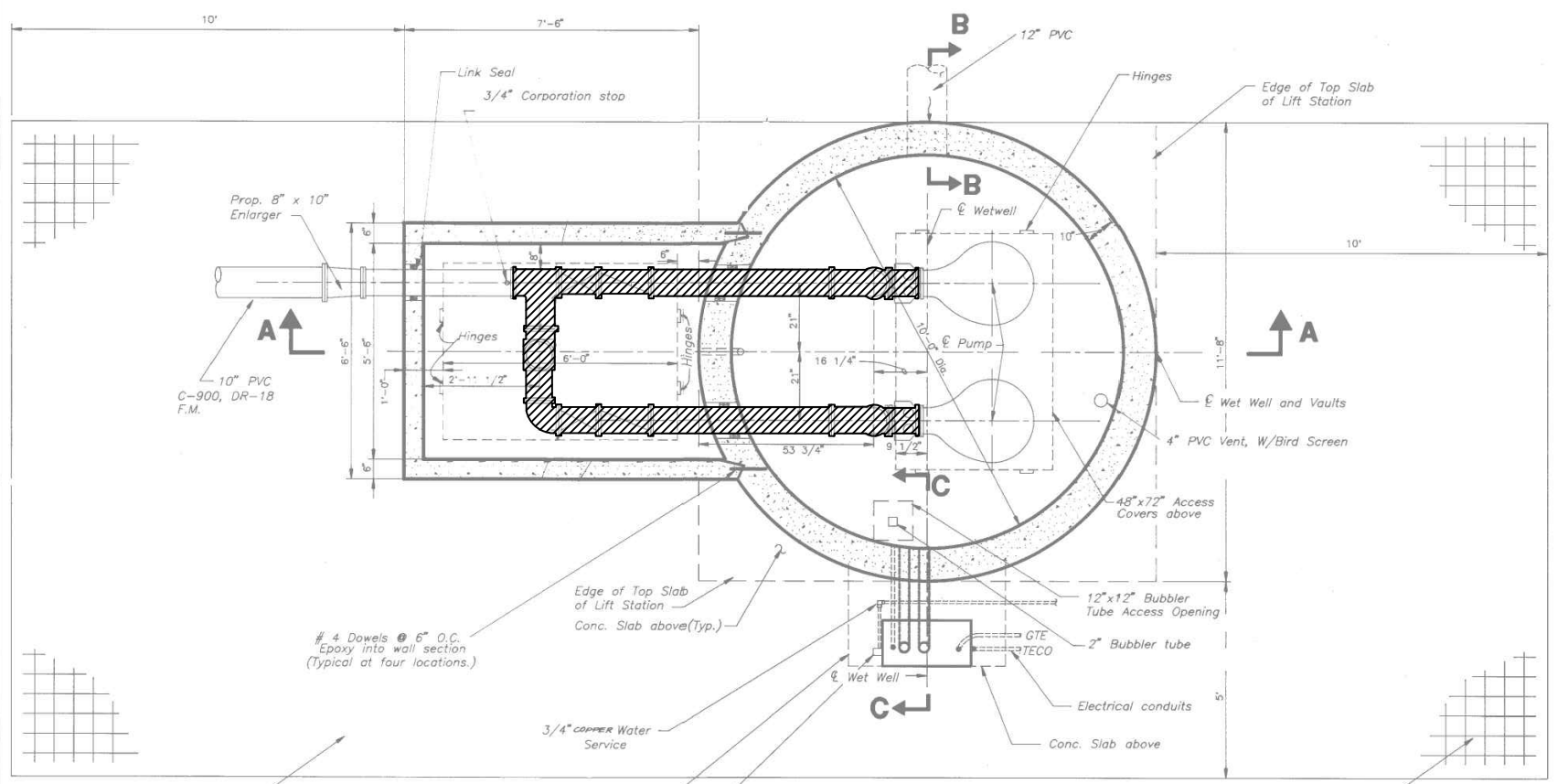
CITY of TAMPA
WASTEWATER DEPARTMENT

MISCELLANEOUS PUMPING STATION REPAIRS
RICHMOND PLACE PUMPING STATION - SITE PLAN

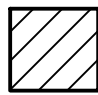
W.O. 5935
SHEET
28
OF 61



SECTION A-A
N.T.S.



PLAN VIEW
N.T.S.

 HATCHED AREAS ON THIS SHEET INDICATE PIPING, FITTINGS AND VALVES TO BE REMOVED

User: ss8k Drawing Name: K:\WW_Projects\2012\2012_5935_Various Pumping Station Improvements\DWG\RICHMOND PLACE.dwg Layout: Jun 20, 2013 3:06pm CTB - WW.CTB

JACINTO CARLOS FERRAS, P.E. #49454 DESIGN DIVISION HEAD WASTEWATER DEPARTMENT

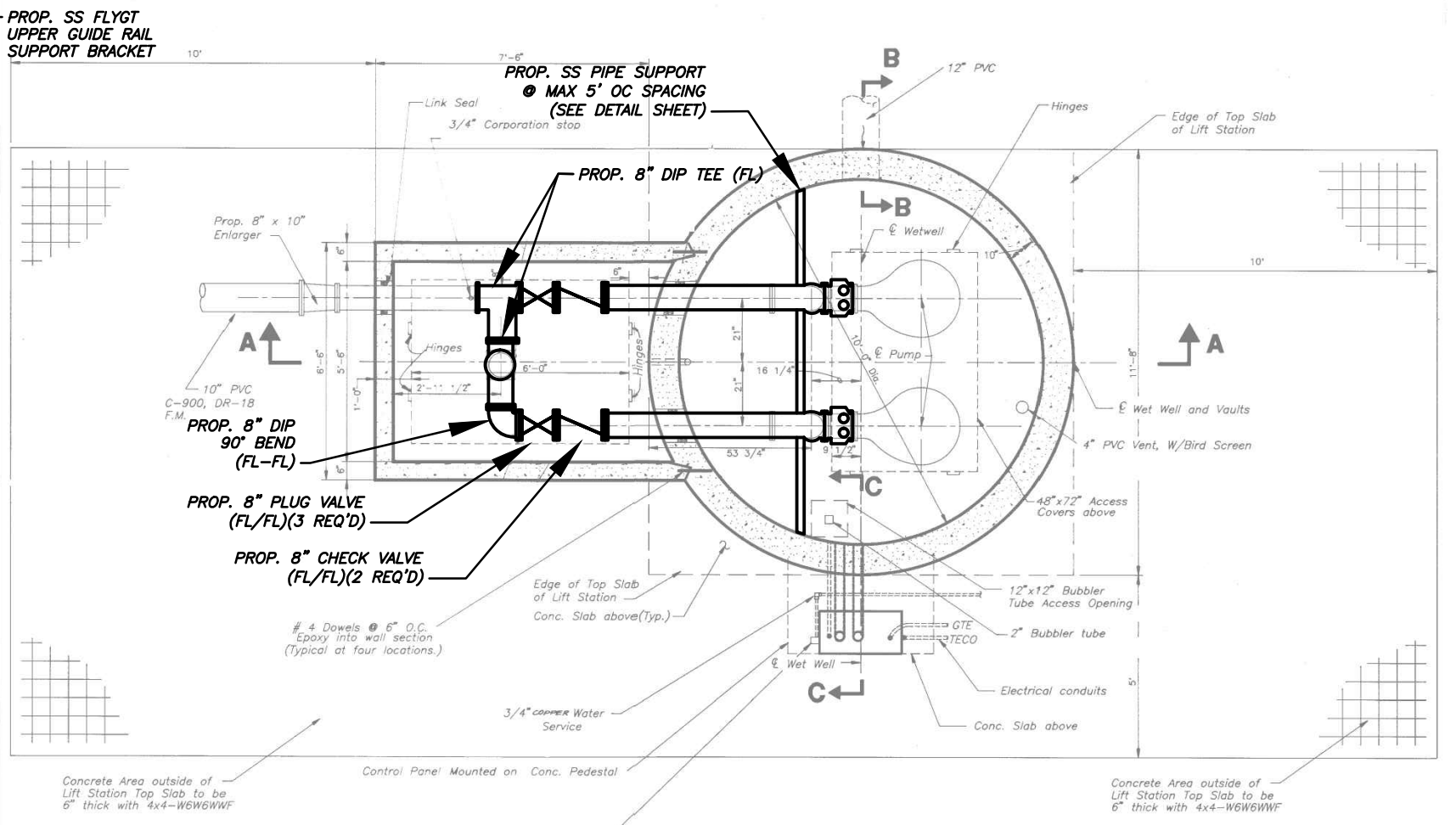
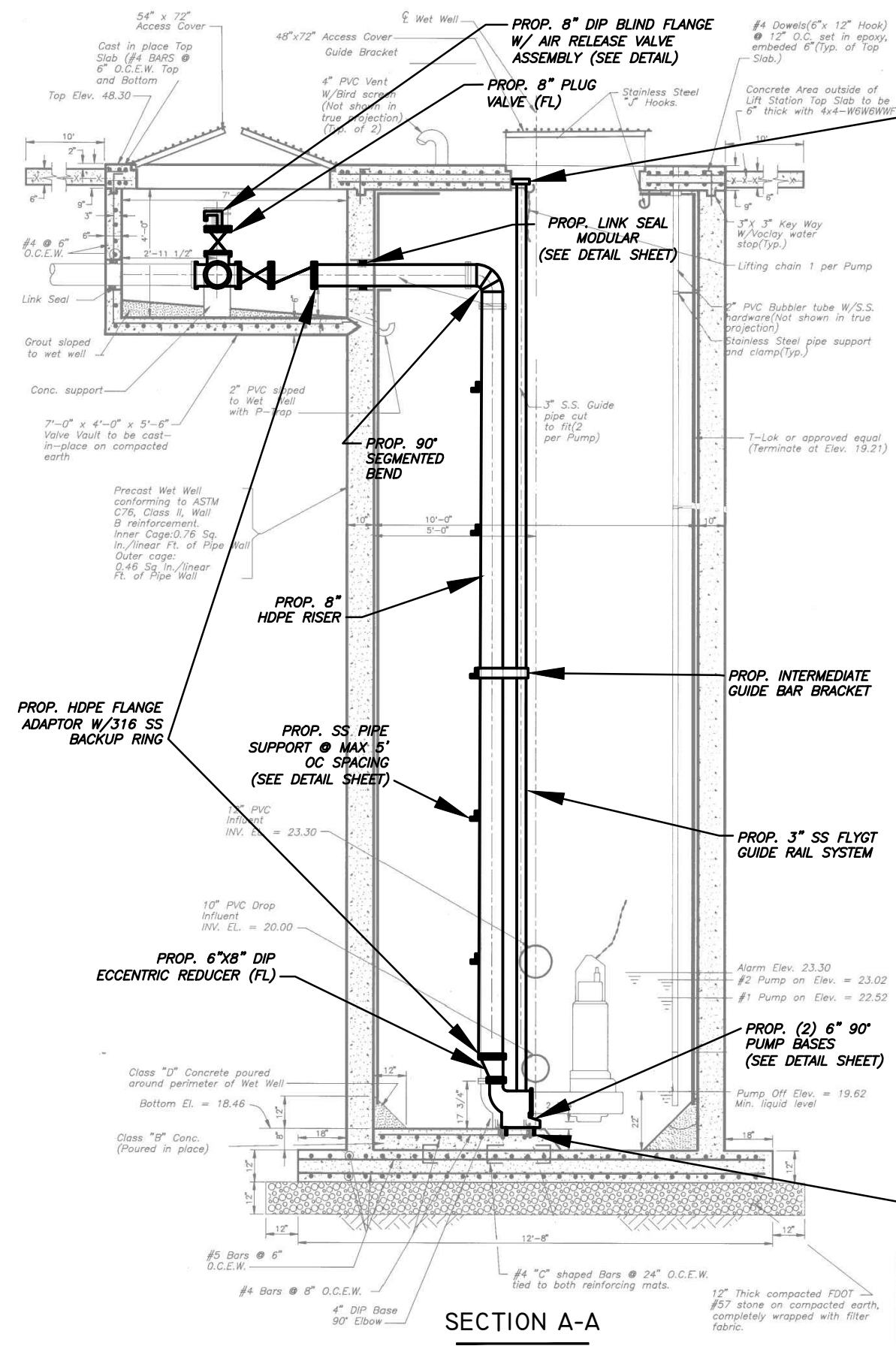
No.	DATE	REVISIONS
3		
2		
1		

DES: V.T.
DRN: M.R.L.
CKD:
DATE:

CITY of TAMPA
WASTEWATER DEPARTMENT

MISCELLANEOUS PUMPING STATION REPAIRS
RICHMOND PLACE PUMPING STATION - DEMOLITION

W.O. 5935
SHEET
29
OF 61



PLAN VIEW
N.T.S.

User: ss8k Drawing Name: K:\WW_Projects\2012\2012_5935_Various Pumping Station Improvements\DWG\RICHMOND PLACE.dwg Layout: Jun 20, 2013 3:06pm CTB - WW.CTB

No.	DATE	REVISIONS
3		
2		
1		

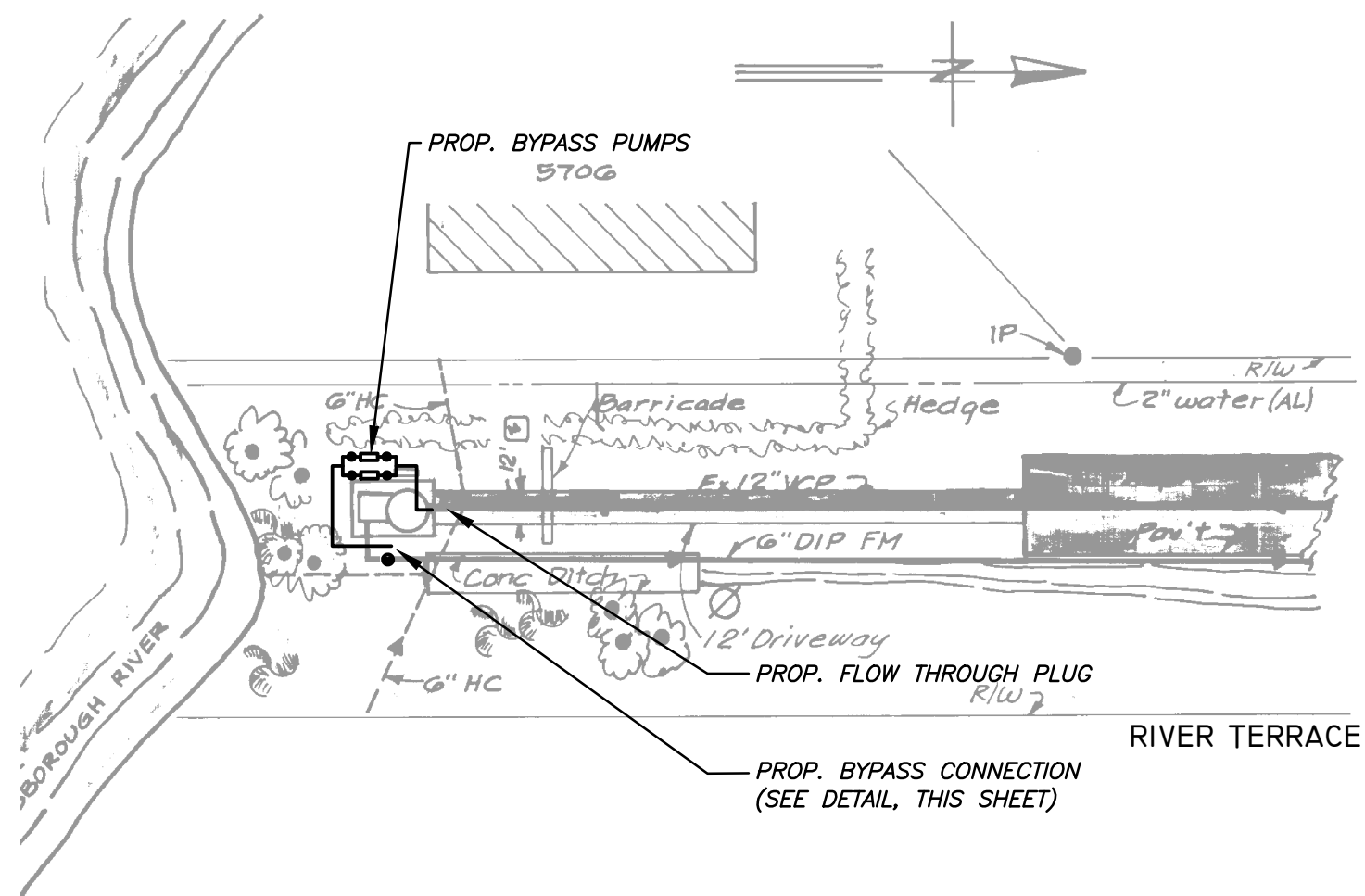
DES: V.T.
DRN: M.R.L.
CKD:
DATE:

CITY of TAMPA
WASTEWATER DEPARTMENT

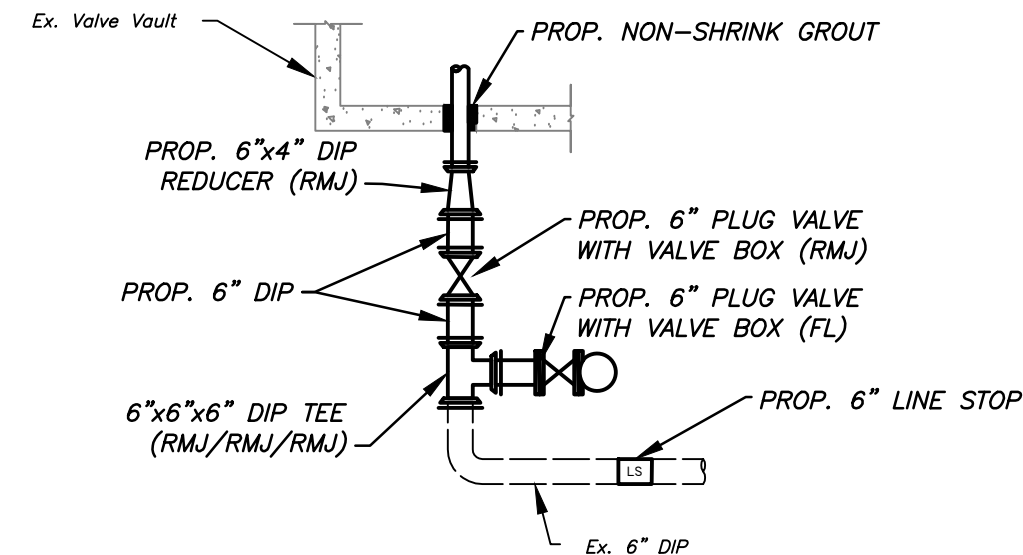
MISCELLANEOUS PUMPING STATION REPAIRS
RICHMOND PLACE PUMPING STATION - PROPOSED

W.O. 5935
SHEET
30
OF 61

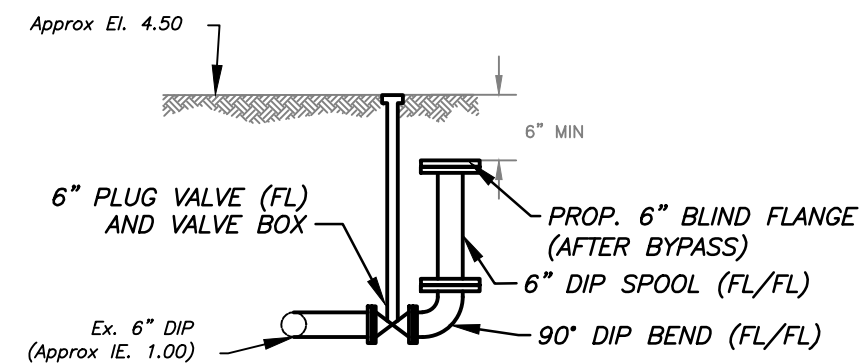
JACINTO CARLOS FERRAS, P.E. #49454
DESIGN DIVISION HEAD
WASTEWATER DEPARTMENT



SITE PLAN
N.T.S.



BYPASS PLAN
N.T.S.



BYPASS PROFILE
N.T.S.

User: ss8k Drawing Name: K:\WW_Projects\2012\2012_5935_Various Pumping Station Improvements\DWG\RIVER TERRACE.dwg Layout: Jun 20, 2013 3:07pm CTB - WW.CTB

No.	DATE	REVISIONS
3		
2		
1		

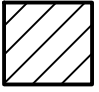
DES: V.T.
DRN: M.R.L.
CKD:
DATE:

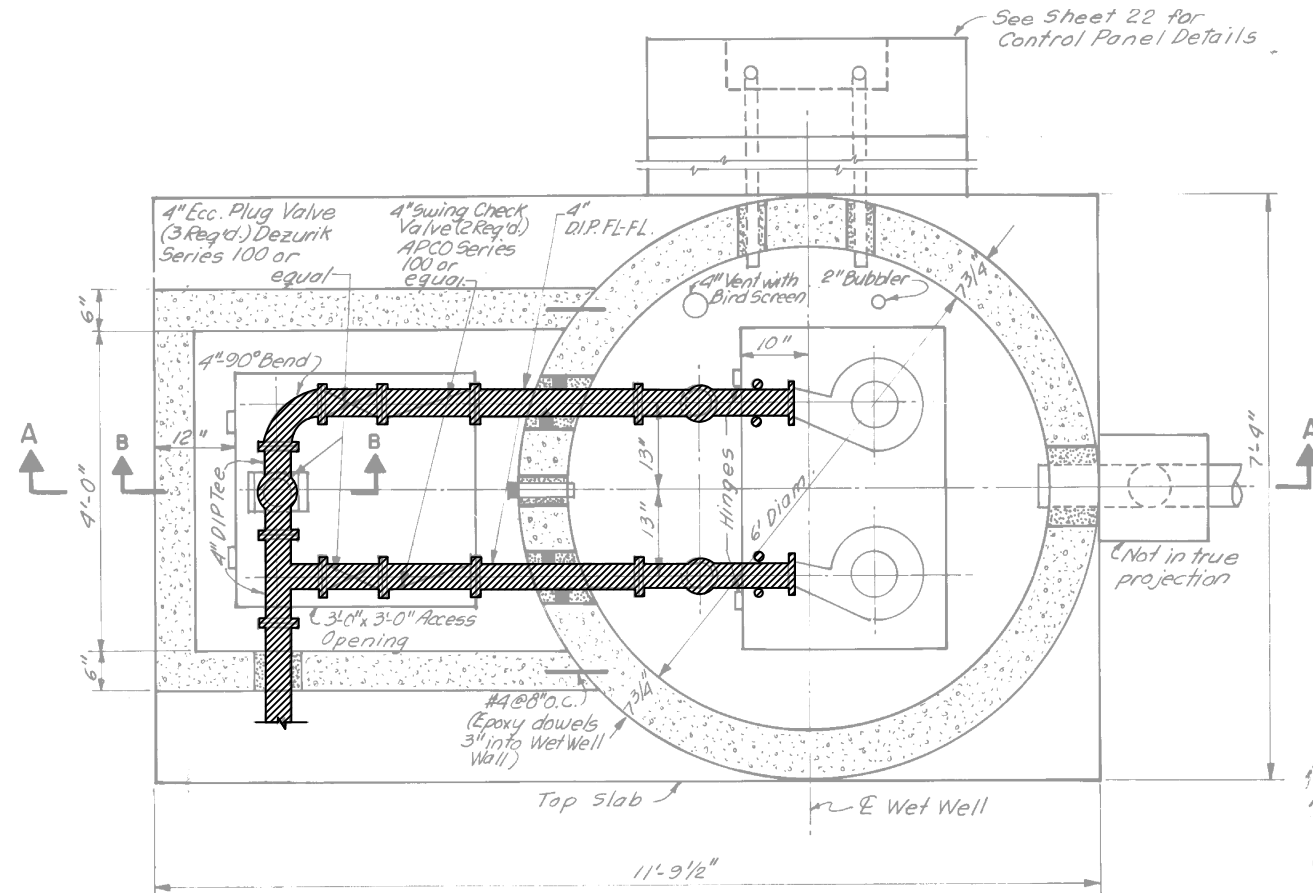
CITY of TAMPA
WASTEWATER DEPARTMENT

MISCELLANEOUS PUMPING STATION REPAIRS
RIVER TERRACE PUMPING STATION - SITE PLAN

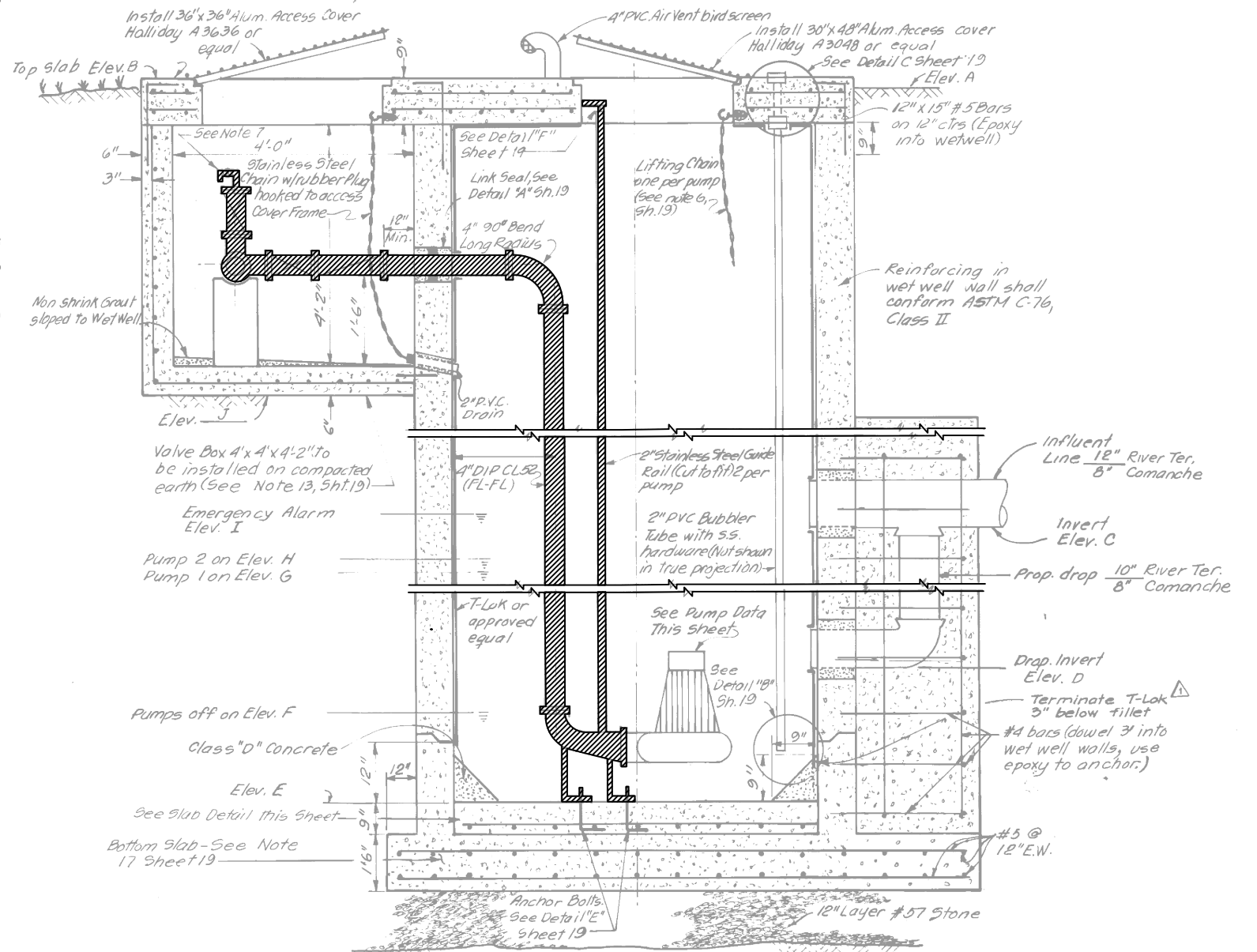
W.O. 5935
SHEET
31
OF 61

JACINTO CARLOS FERRAS, P.E. #49454
DESIGN DIVISION HEAD
WASTEWATER DEPARTMENT

 HATCHED AREAS ON THIS SHEET INDICATE PIPING FITTINGS AND VALVES TO BE REMOVED



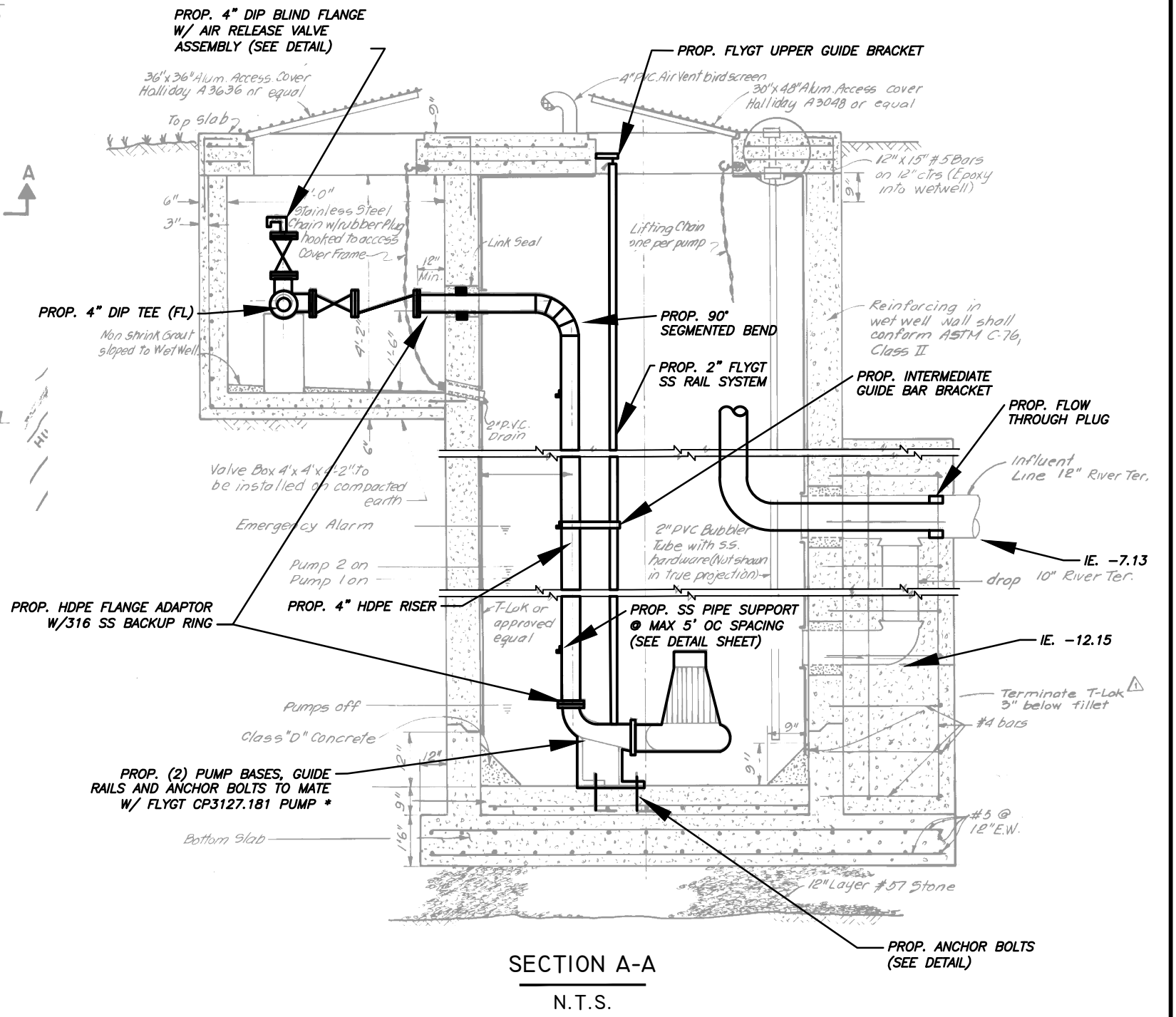
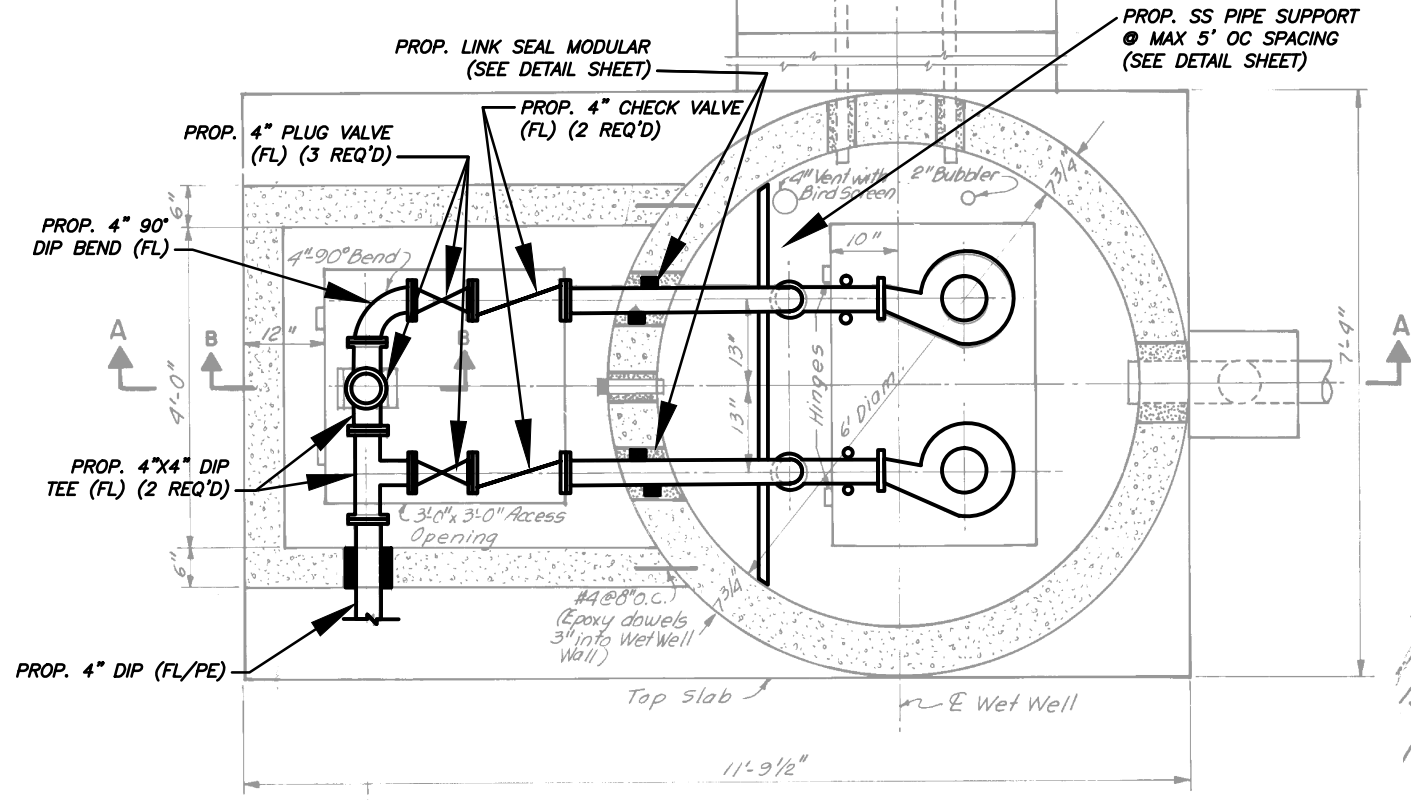
PLAN VIEW
N.T.S.



SECTION A-A
N.T.S.

User: ss8k Drawing Name: K:\WW_Projects\2012\2012_5935_Various Pumping Station Improvements\DWG\RIVER TERRACE.dwg Layout: Jun 20, 2013 - 3:07pm CTB - WM.CTB

No.	DATE	REVISIONS	DES: V.T.	<p align="center">CITY of TAMPA</p> <p align="center">WASTEWATER DEPARTMENT</p>	<p align="center">MISCELLANEOUS PUMPING STATION REPAIRS</p> <p align="center">RIVER TERRACE PUMPING STATION - DEMOLITION</p>	W.O. 5935
3			DRN: M.R.L.			SHEET
2			CKD:			32
1			DATE:			OF 61
JACINTO CARLOS FERRAS, P.E. #49454 DESIGN DIVISION HEAD WASTEWATER DEPARTMENT						



* CITY TO PROVIDE (2) FLYGT PUMPS (CP3127.181) AND (2) 4" PUMP BASES

User: ss8k Drawing Name: K:\WW_P\Projects\2012\2012_5935_Various Pumping Station Improvements\DWG\WATER TERRACE.dwg
Layout: Jun 20, 2013 3:07pm CTB - WM.CTB

No.	DATE	REVISIONS	DES: V.T.
3			DRN: M.R.L.
2			CKD:
1			DATE:

JACINTO CARLOS FERRAS, P.E. #49454
DESIGN DIVISION HEAD
WASTEWATER DEPARTMENT

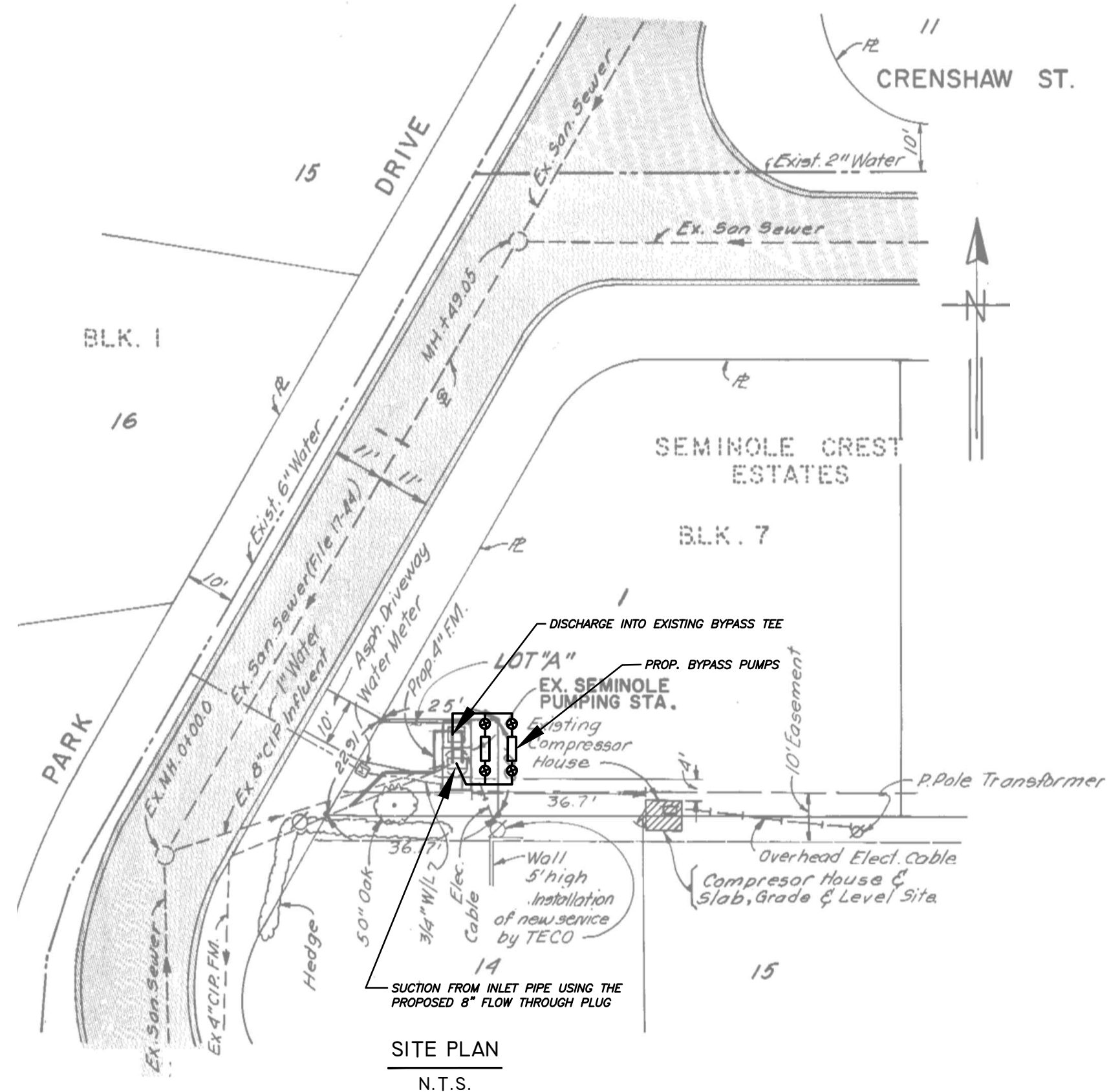
CITY of TAMPA

WASTEWATER DEPARTMENT

MISCELLANEOUS PUMPING STATION REPAIRS

RIVER TERRACE PUMPING STATION - PROPOSED

W.O. 5935
SHEET
33
OF 61



SITE PLAN
N.T.S.

User: ss8k Drawing Name: K:\WW_Projects\2012\2012_5935_Various Pumping Station Improvements\DWG\seminole.dwg Layout: Jun 20, 2013 - 3:08pm CTB - WM.CTB

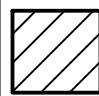
No.	DATE	REVISIONS
3		
2		
1		

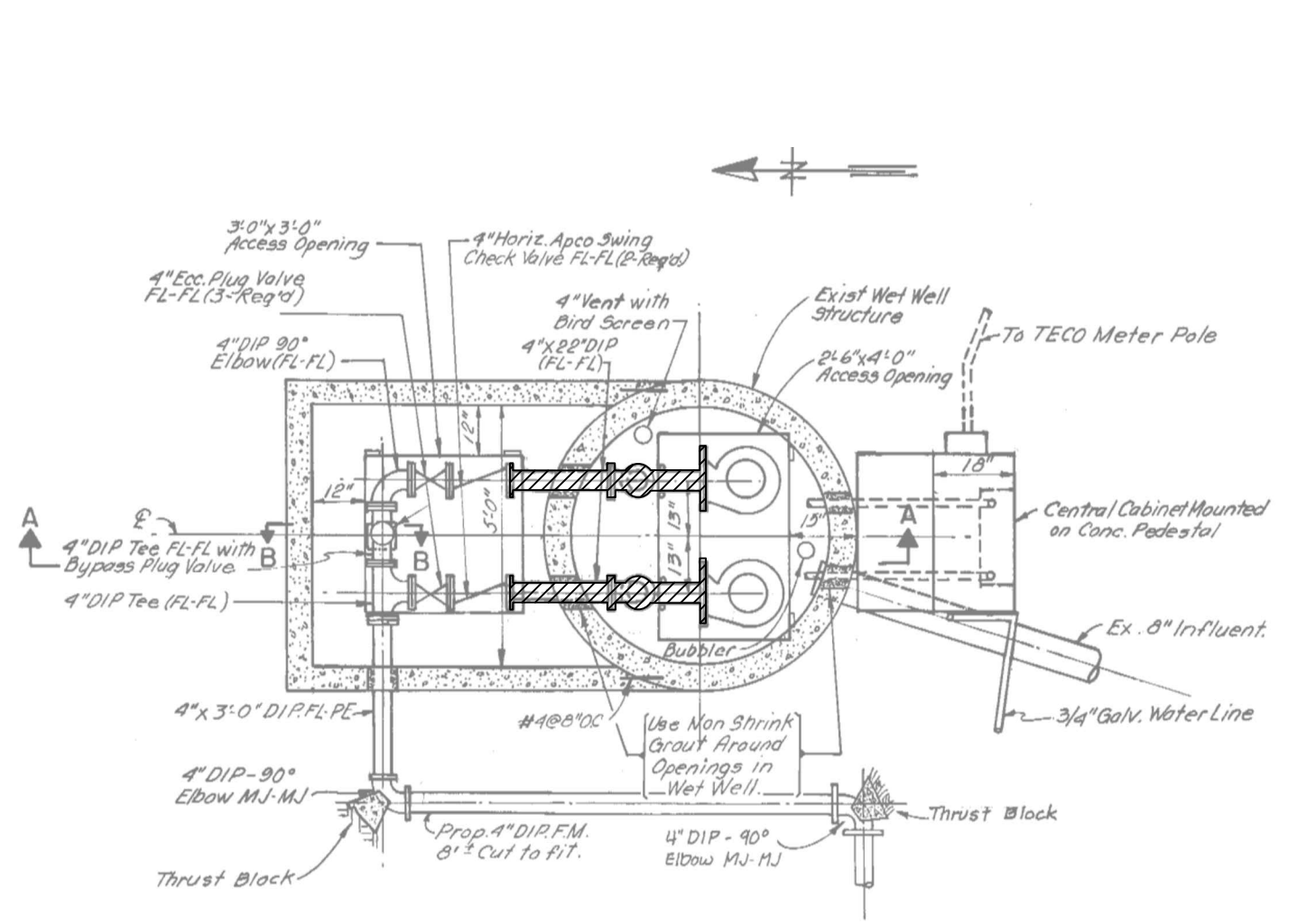
DES: V.T.
DRN: M.R.L.
CKD:
DATE:

CITY of TAMPA
WASTEWATER DEPARTMENT

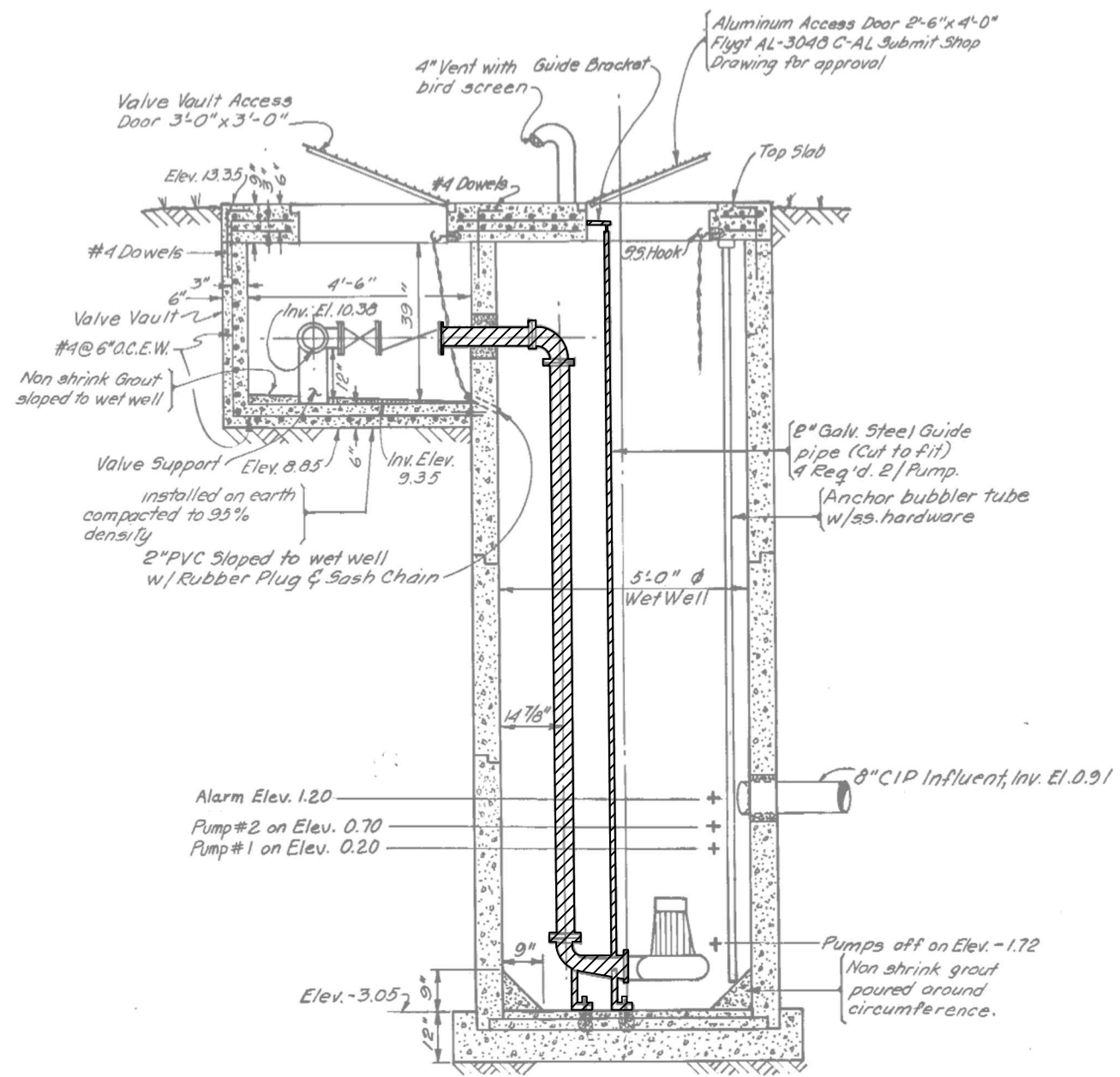
MISCELLANEOUS PUMPING STATION REPAIRS
SEMINOLE PUMPING STATION - SITE PLAN

W.O. 5935
SHEET
34
OF 61

 HATCHED AREAS ON THIS SHEET INDICATE PIPING FITTINGS AND VALVES TO BE REMOVED



PLAN VIEW
 N.T.S.



SECTION A-A
 N.T.S.

User: ss8k Drawing Name: K:\WW_Projects\2012\2012_5935_Various Pumping Station Improvements\DWG\seminole.dwg Layout: Jun 20, 2013 3:08pm CTB - WW.CTB

No.	DATE	REVISIONS
3		
2		
1		

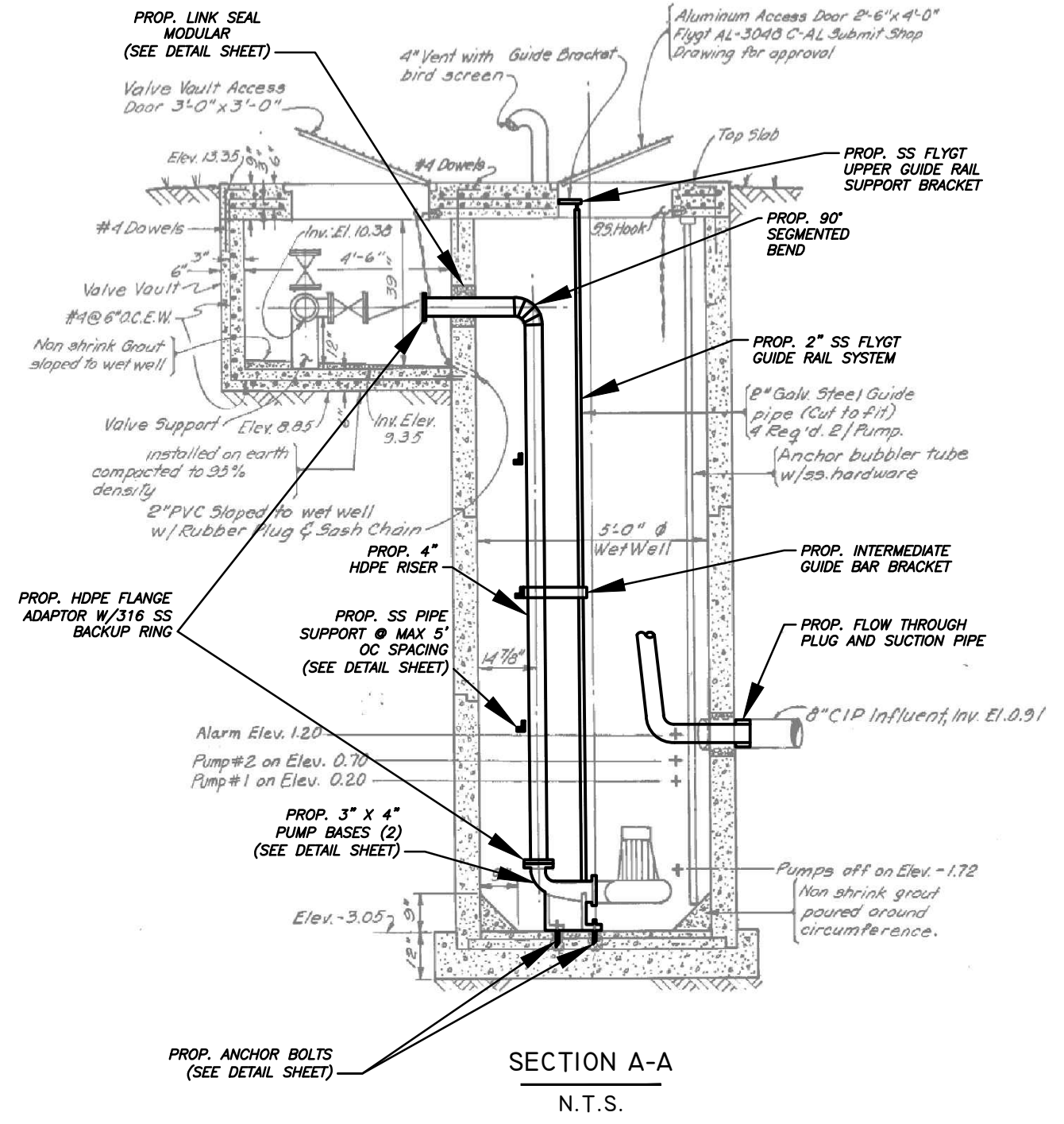
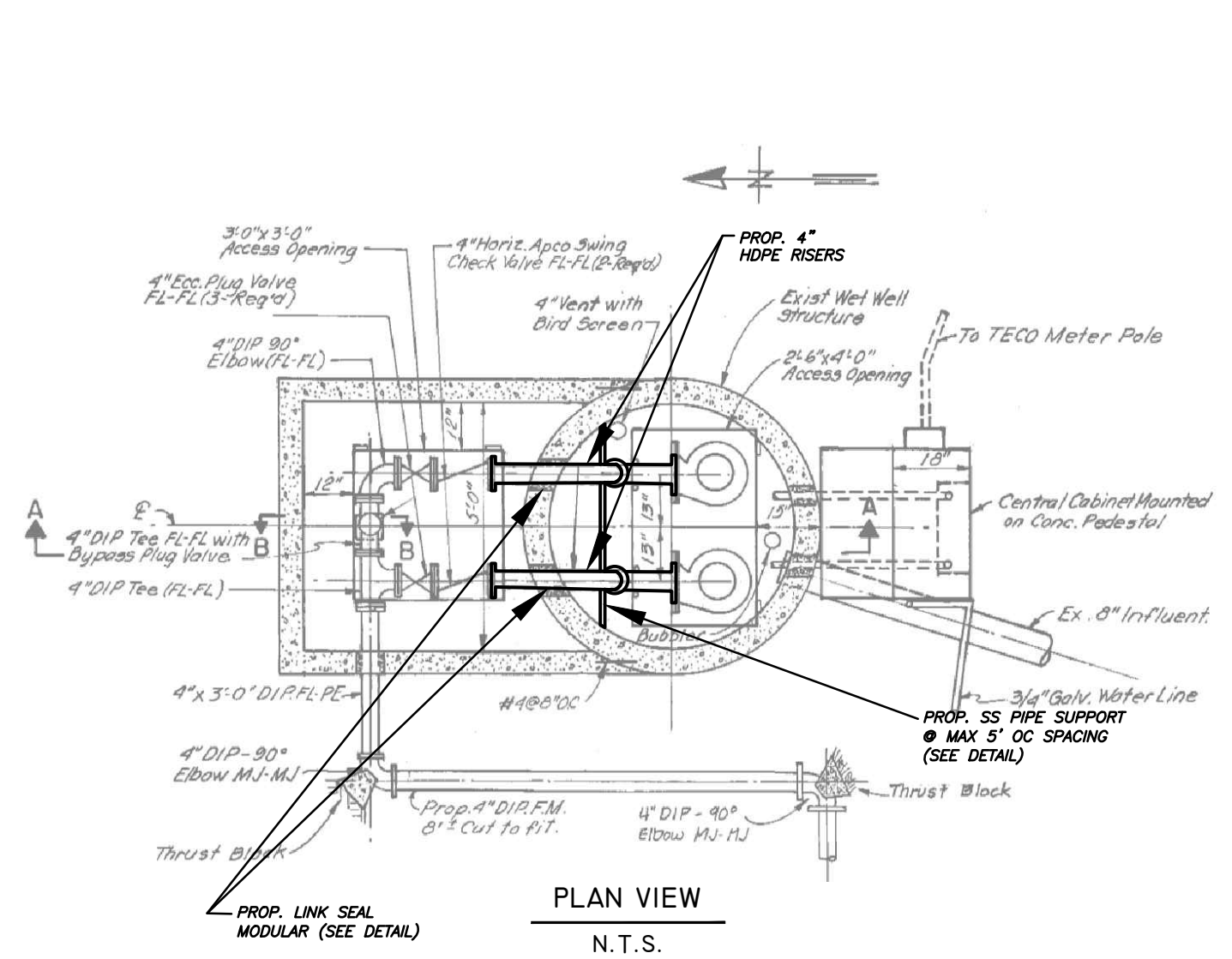
DES: V.T.
 DRN: M.R.L.
 CKD:
 DATE:

CITY of TAMPA
 WASTEWATER DEPARTMENT

MISCELLANEOUS PUMPING STATION REPAIRS
SEMINOLE PUMPING STATION - DEMOLITION

W.O. 5935
 SHEET
 35
 OF 61

JACINTO CARLOS FERRAS, P.E. #49454
 DESIGN DIVISION HEAD
 WASTEWATER DEPARTMENT



User: ss8k Drawing Name: K:\WW_Projects\2012\2012_5935_Various Pumping Station Improvements\DWG\seminole.dwg Layout: Jun 20, 2013 - 3:08pm CTB - WW.CTB

No.	DATE	REVISIONS
3		
2		
1		

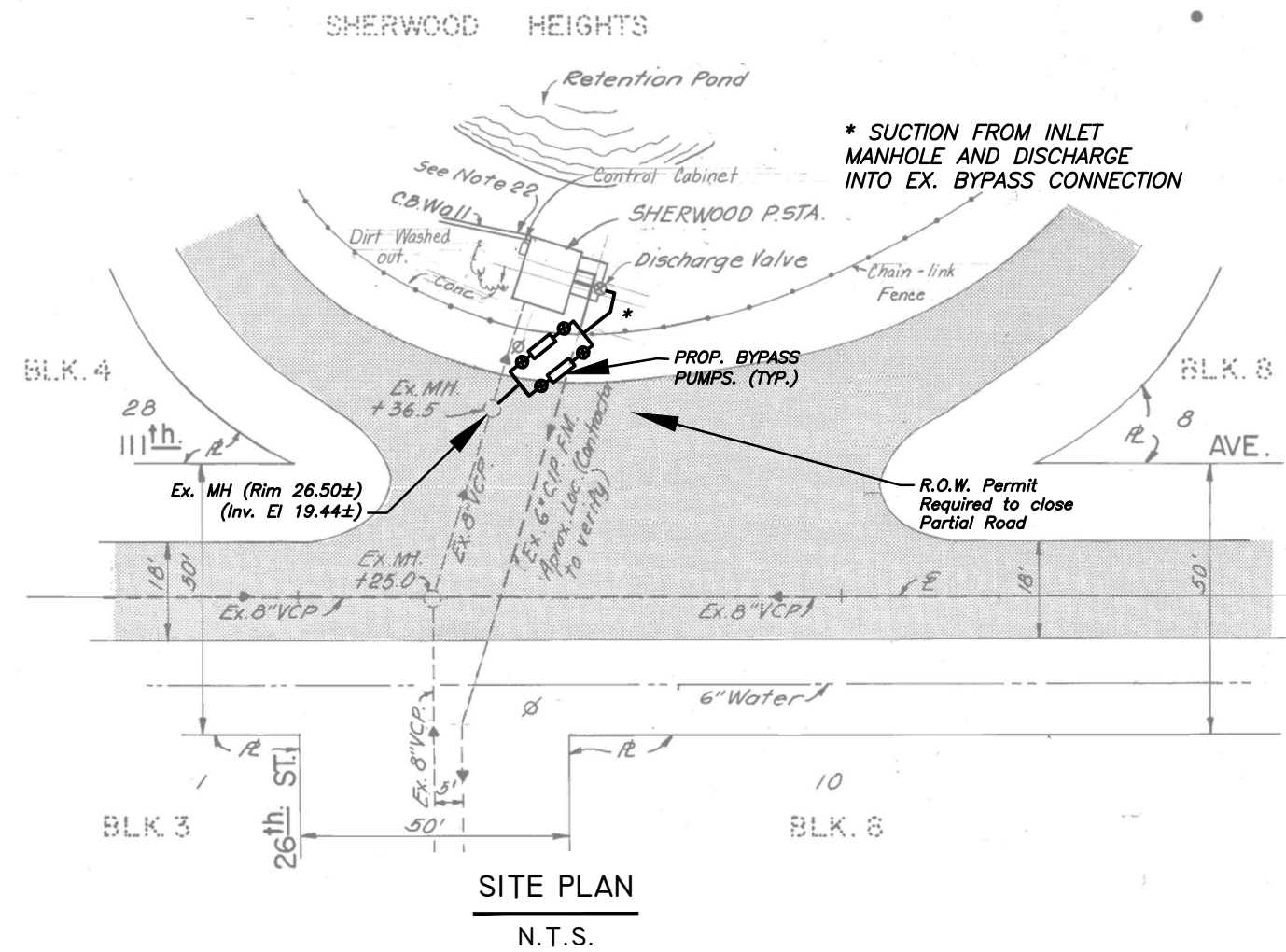
DES: V.T.
 DRN: M.R.L.
 CKD:
 DATE:

CITY of TAMPA
 WASTEWATER DEPARTMENT

MISCELLANEOUS PUMPING STATION REPAIRS
SEMINOLE PUMPING STATION - PROPOSED

W.O. 5935
 SHEET
 36
 OF 61

JACINTO CARLOS FERRAS, P.E. #49454
 DESIGN DIVISION HEAD
 WASTEWATER DEPARTMENT



User: ss8k Drawing Name: K:\WW_Projects\2012\2012_5935_Various Pumping Station Improvements\DWG\sherwood heights.dwg Layout- Jun 20, 2013 - 3:09pm CTB - WW.CTB

No.	DATE	REVISIONS
3		
2		
1		

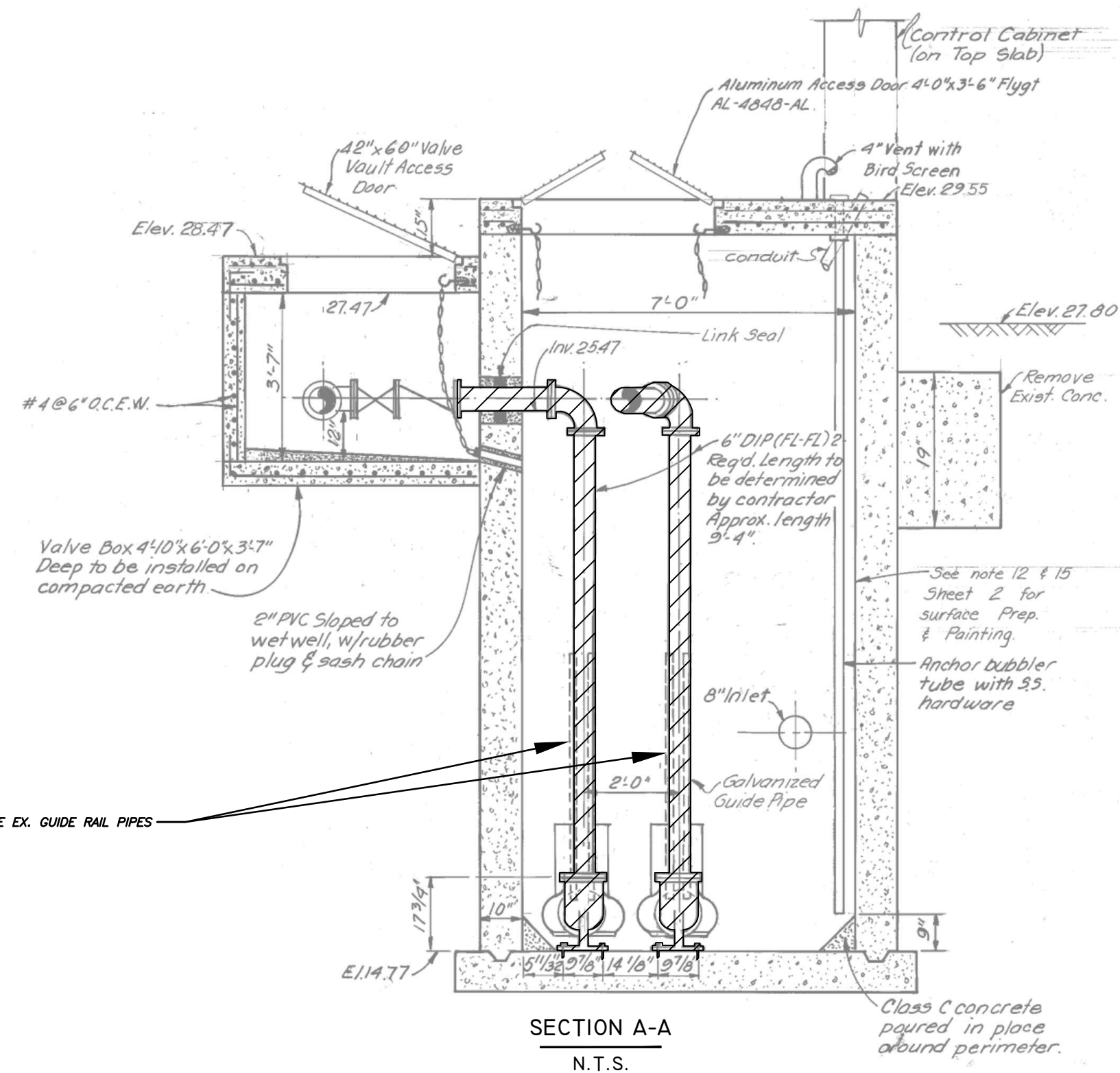
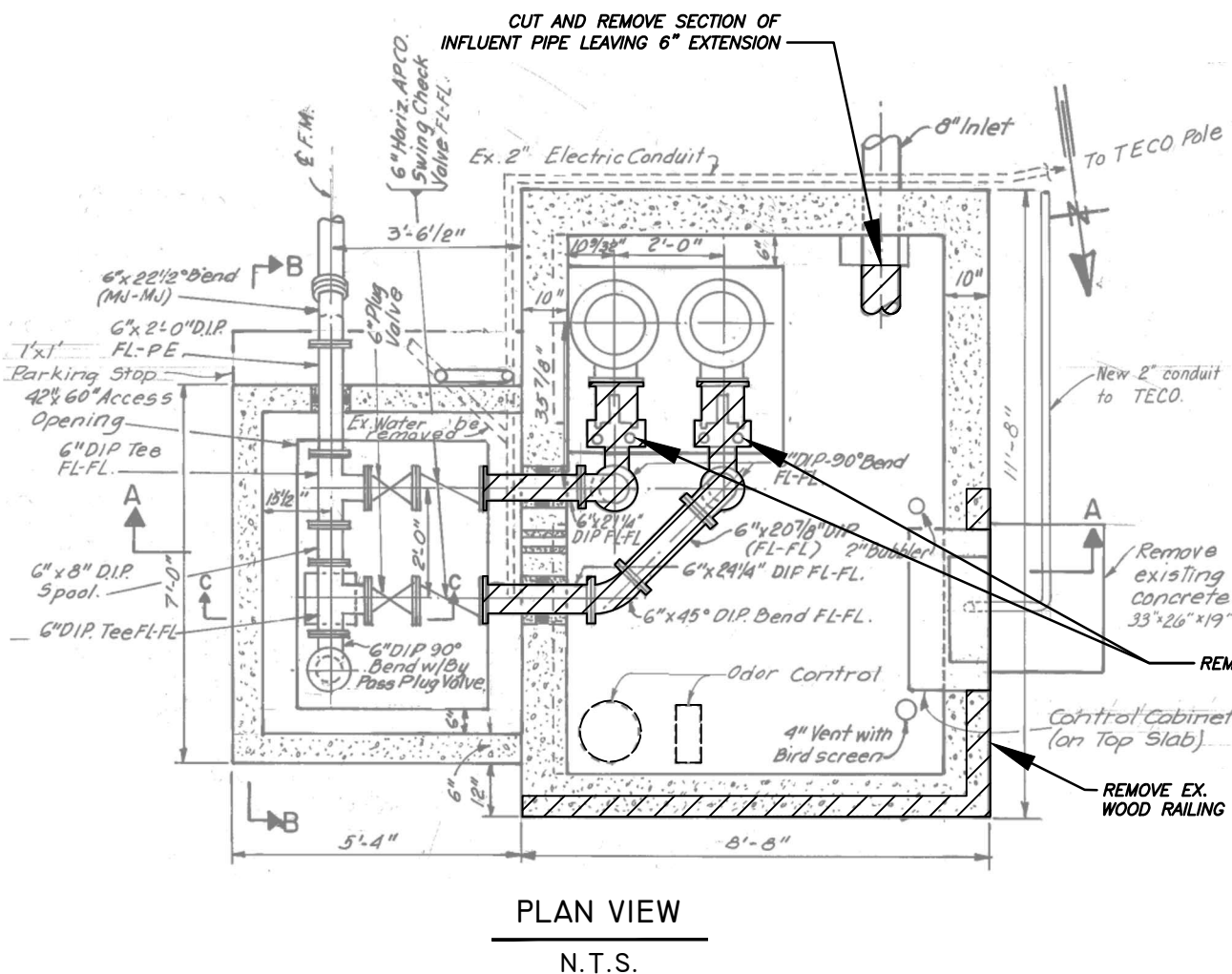
DES: V.T.
 DRN: M.R.L.
 CKD:
 DATE:

CITY of TAMPA
WASTEWATER DEPARTMENT

MISCELLANEOUS PUMPING STATION REPAIRS
SHERWOOD HEIGHTS PUMPING STATION
SITE PLAN

W.O. 5935
 SHEET
 37
 OF 61

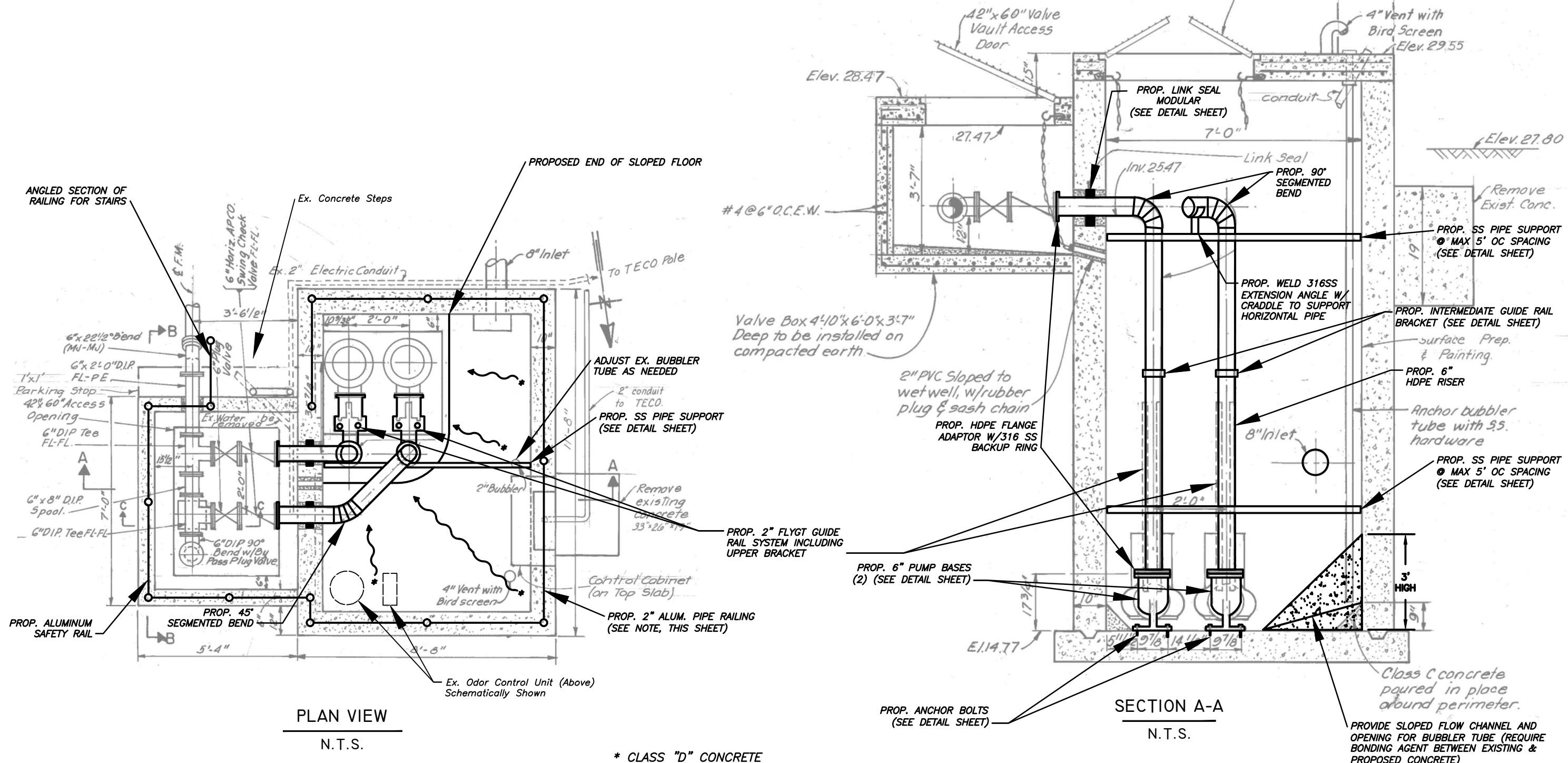
HATCHED AREAS ON THIS SHEET INDICATE PIPING FITTINGS AND VALVES TO BE REMOVED



User: ss8k Drawing Name: K:\WW_Projects\2012_2013_5935_Various Pumping Station Improvements\DWG\sherwood heights.dwg Jun 20, 2013 - 3:09pm CTB - WW.CTB

JACINTO CARLOS FERRAS, P.E. #49454 DESIGN DIVISION HEAD WASTEWATER DEPARTMENT	No.	DATE	REVISIONS	DES: V.T.	CITY of TAMPA WASTEWATER DEPARTMENT	MISCELLANEOUS PUMPING STATION REPAIRS SHERWOOD HEIGHTS PUMPING STATION DEMOLITION	W.O. 5935
	3			DRN: M.R.L.			SHEET
	2			CKD:			38
	1			DATE:			OF 61

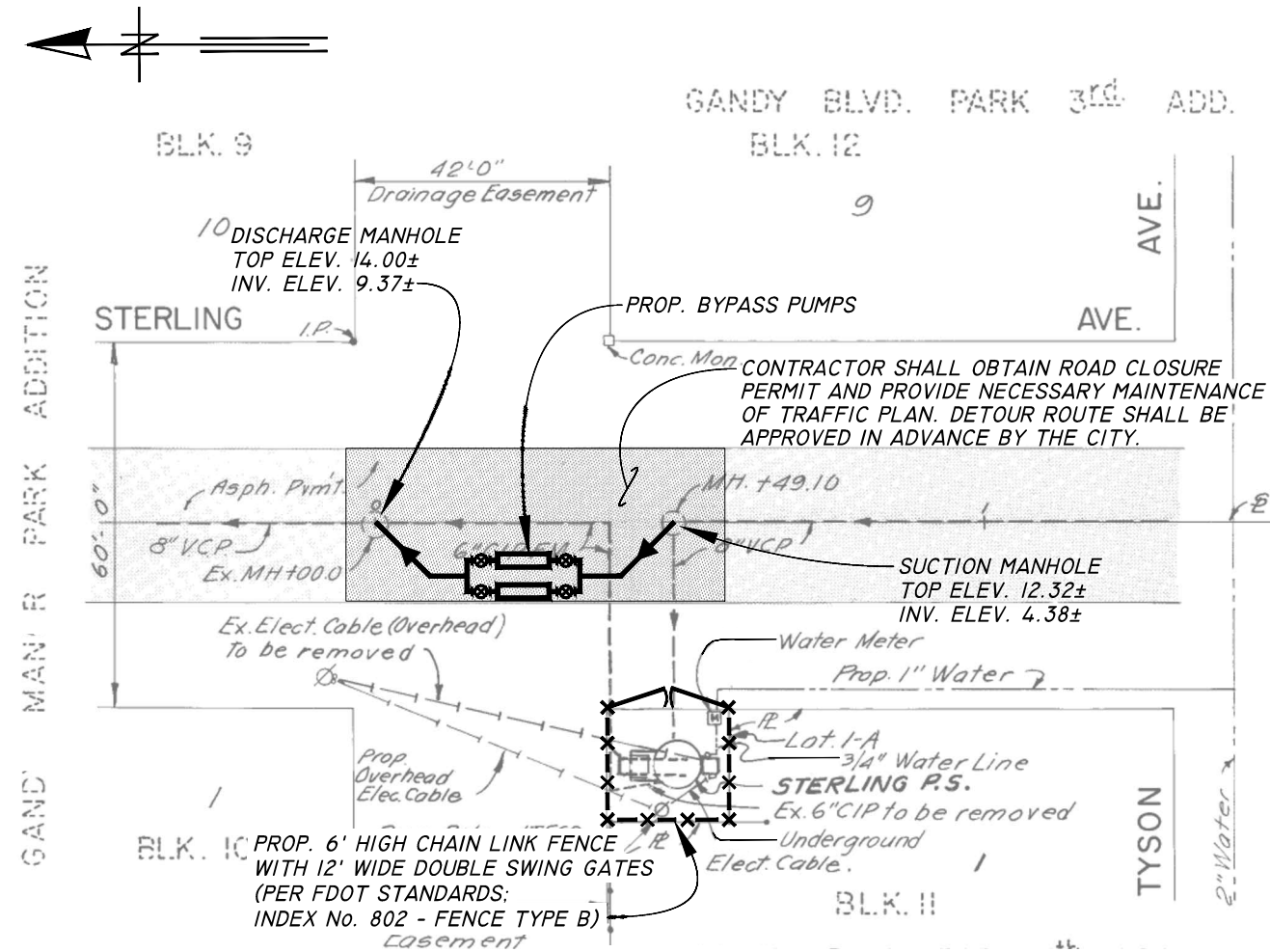
NOTE:
 PROPOSED ALUMINUM PIPE GUARDRAIL SHALL BE IN STRICT ACCORDANCE WITH FDOT DESIGN STANDARDS (INDEX 870), LATEST EDITION, WITH REGARDS TO MATERIALS AND CONSTRUCTION. THE PROPOSED GUARDRAILS SHALL ALSO BE IN STRICT ACCORDANCE WITH OSHA REQUIREMENTS. THE ONLY EXCEPTION TO THE FDOT STANDARD IS THAT THE 2-3/4" ADHESIVE ANCHORS FOR SECURING EACH POST SHALL BE 316 STAINLESS STEEL (ALL THREAD).



* CLASS "D" CONCRETE SLOPED TOWARDS EX. PUMP (3' HIGH AT WALL)

User: ss8k Drawing Name: K:\WW_Projects\2012\2012_5935_Various Pumping Station Improvements\DWG\sherwood heights.dwg Layout: Jun 20, 2013 - 3:09pm CTB - WW.CTB

JACINTO CARLOS FERRAS, P.E. #49454 DESIGN DIVISION HEAD WASTEWATER DEPARTMENT	No.	DATE	REVISIONS	DES: V.T.	CITY of TAMPA WASTEWATER DEPARTMENT	MISCELLANEOUS PUMPING STATION REPAIRS SHERWOOD HEIGHTS PUMPING STATION PROPOSED	W.O. 5935
	3			DRN: M.R.L.			SHEET
	2			CKD:			39
	1			DATE:			OF 61



SITE PLAN

NOT TO SCALE

User: ss6k Drawing Name: K:\MW_Projects\2012\2012_5935_Various Pumping Station Improvements\DWG\5935-Sterling P.S.dwg Layout- Jun 20, 2013 - 3:10pm

No.	DATE	REVISIONS
3		
2		
1		

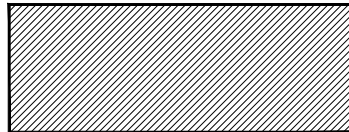
JACINTO CARLOS FERRAS, P.E. #49454
DESIGN DIVISION HEAD
WASTEWATER DEPARTMENT

DES: V.T.
DRN: BB
CKD:
DATE:

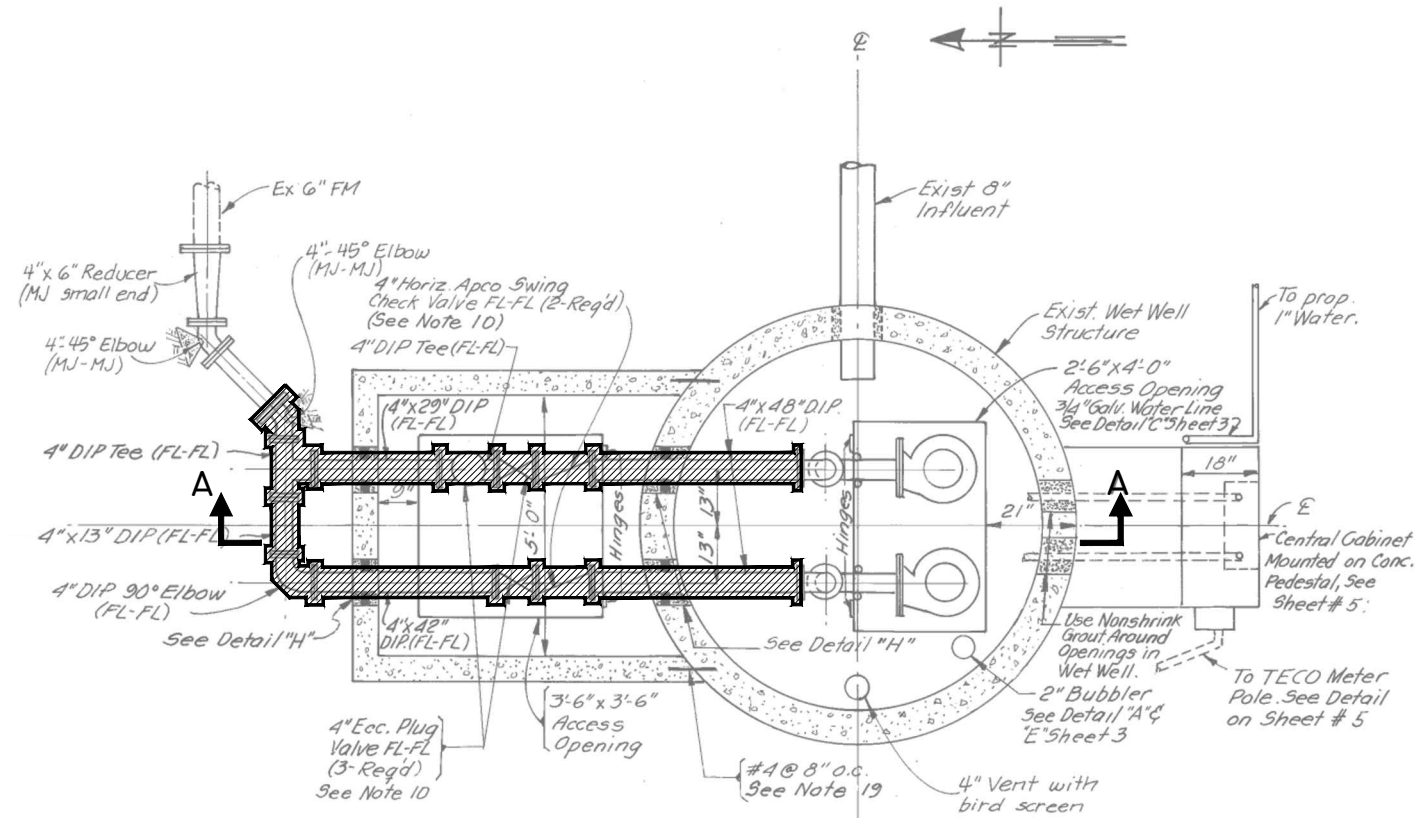
CITY of TAMPA
WASTEWATER DEPARTMENT

MISCELLANEOUS PUMPING STATION REPAIRS
STERLING PUMPING STATION - SITE PLAN

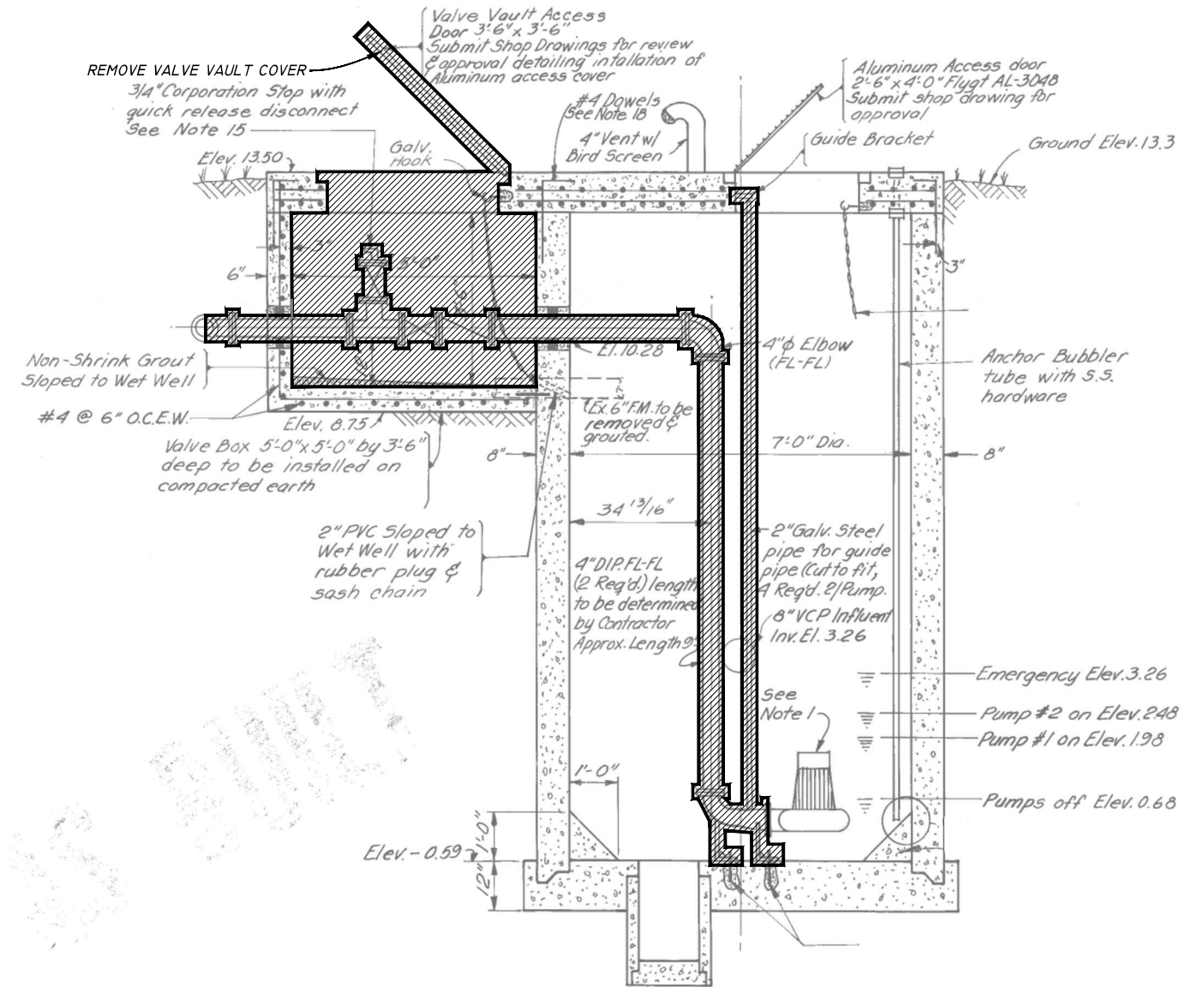
W.O. 5935
SHEET
40
OF 61



HATCHED AREAS ON THIS SHEET INDICATE PIPING, FITTINGS AND VALVES TO BE REMOVED



SECTIONAL PLAN
NOT TO SCALE



SECTION A-A
NOT TO SCALE

User: ss6k Drawing Name: K:\MW_Projects\2012\2012_5935_Various Pumping Station Improvements\DWG\5935-Sterling P.S.dwg Layout- Jun 20, 2013 - 3:10pm

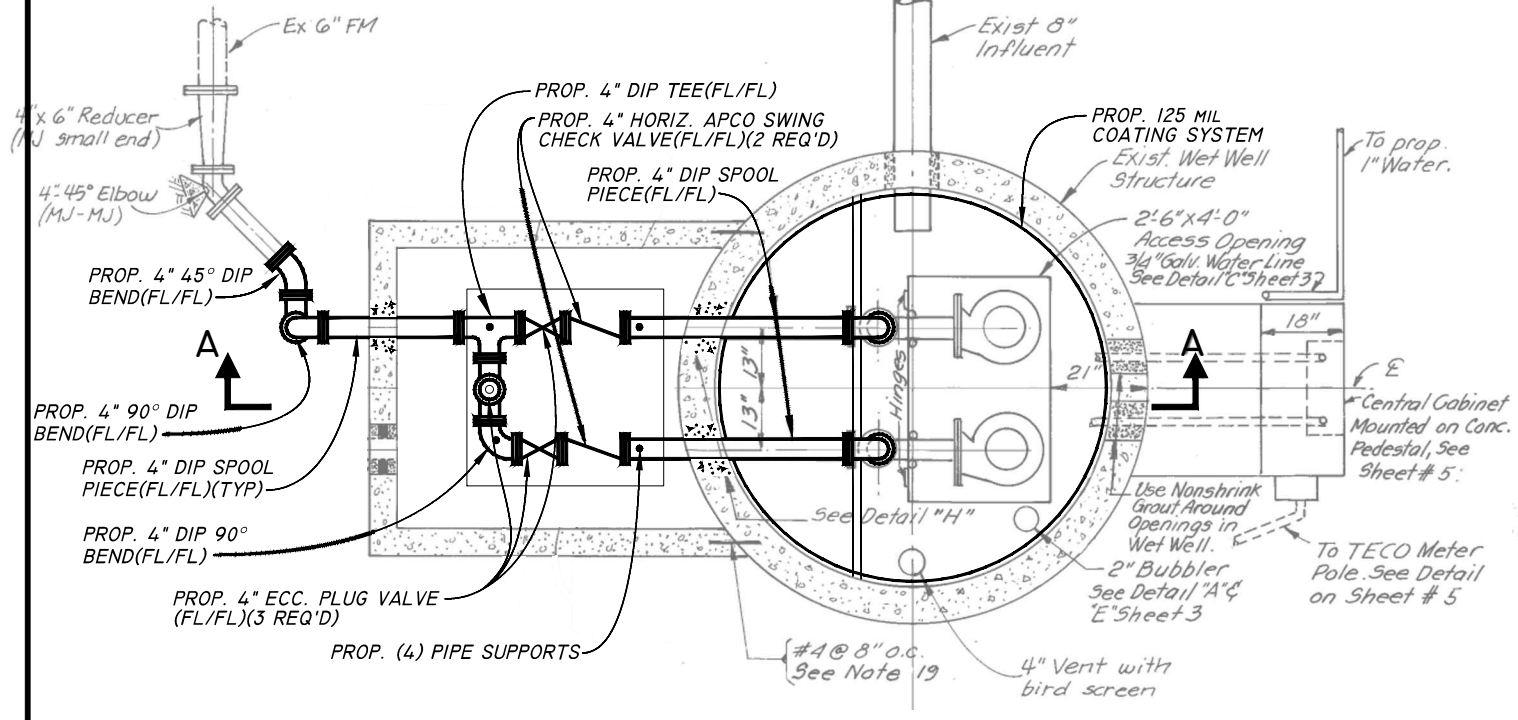
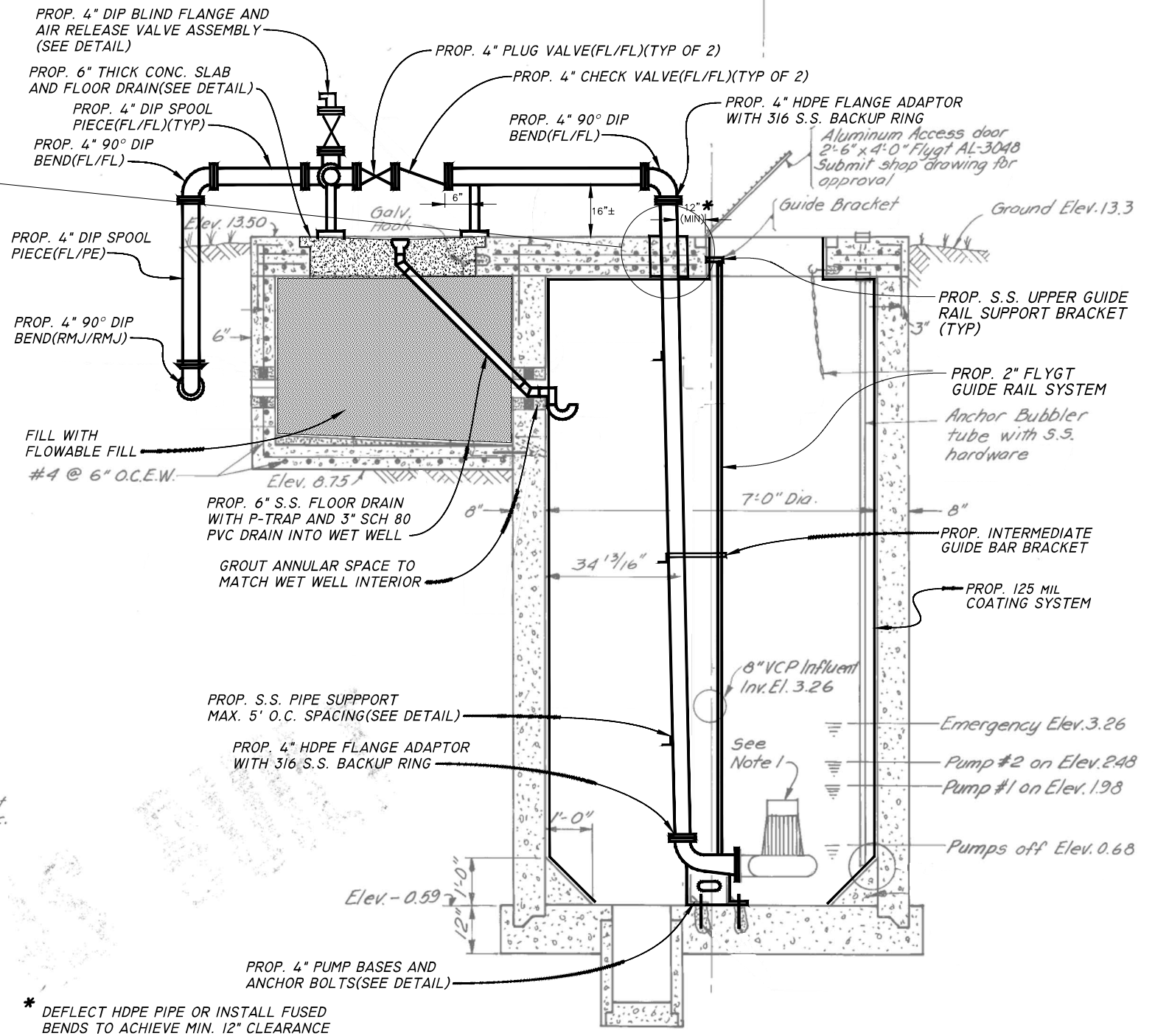
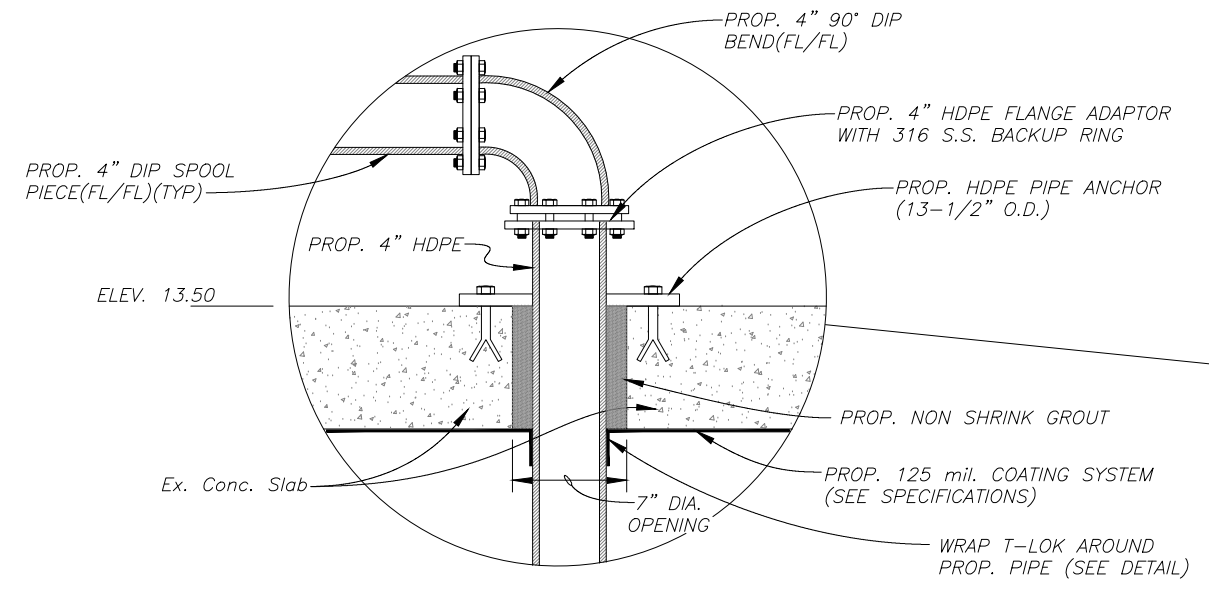
No.	DATE	REVISIONS
3		
2		
1		

DES: V.T.
DRN: BB
CKD:
DATE:

CITY of TAMPA
WASTEWATER DEPARTMENT

MISCELLANEOUS PUMPING STATION REPAIRS
STERLING PUMPING STATION - EXISTING SECTIONS

W.O. 5935
SHEET
41
OF 61



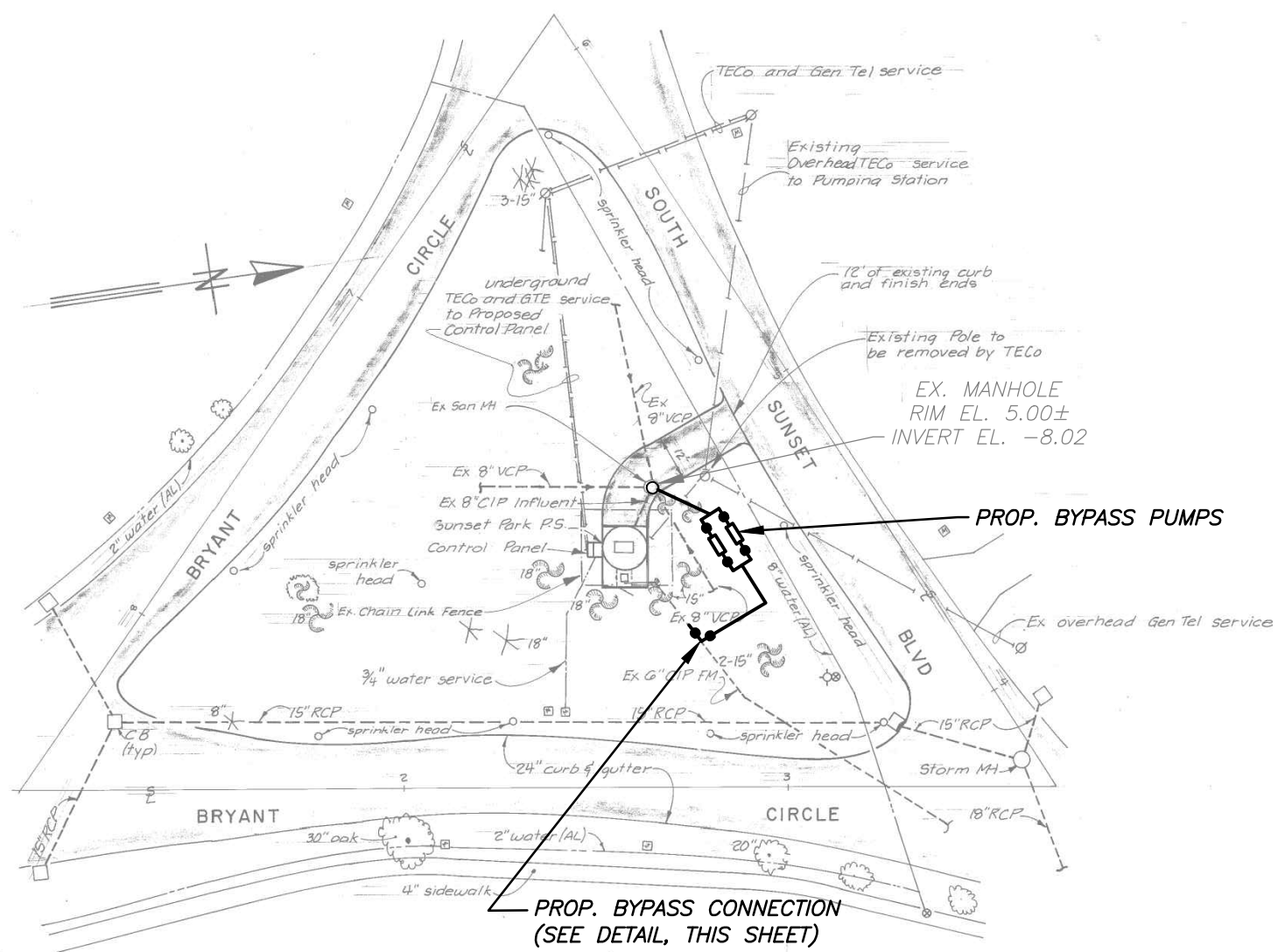
SECTIONAL PLAN
NOT TO SCALE

SECTION A-A
NOT TO SCALE

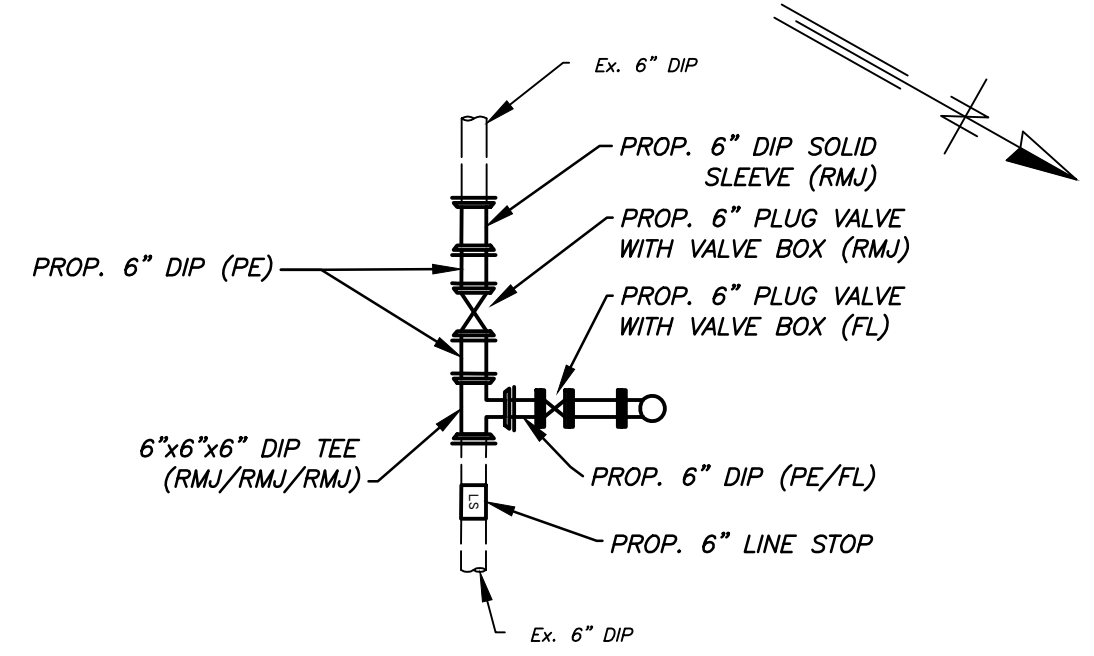
* DEFLECT HDPE PIPE OR INSTALL FUSED BENDS TO ACHIEVE MIN. 12" CLEARANCE

User: ss8k Drawing Name: K:\MW_Projects\2012\2012_5935_Various Pumping Station Improvements\DWG\5935-Sterling P.S.dwg Layout- Jun 25, 2013 - 11:37am

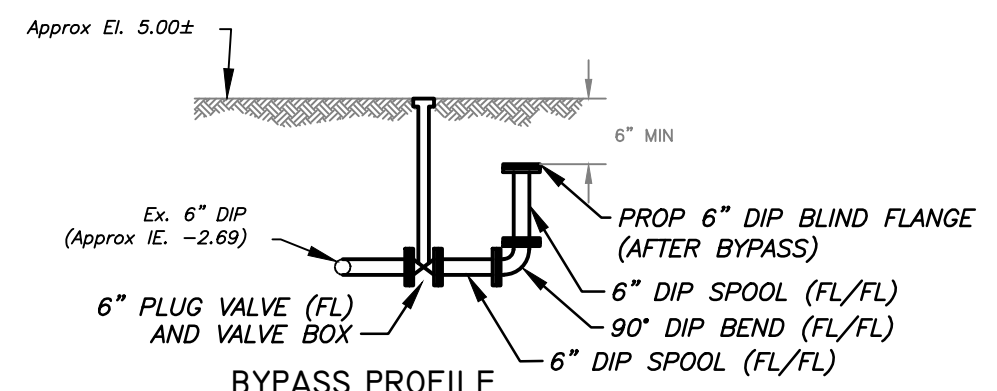
JACINTO CARLOS FERRAS, P.E. #49454 DESIGN DIVISION HEAD WASTEWATER DEPARTMENT	No.	DATE	REVISIONS	DES: V.T.	CITY of TAMPA WASTEWATER DEPARTMENT	MISCELLANEOUS PUMPING STATION REPAIRS STERLING PUMPING STATION - PROPOSED SECTIONS	W.O. 5935
	3			DRN: BB			SHEET
	2			CKD:			42
	1			DATE:			OF 61



SITE PLAN
N.T.S.



BYPASS PLAN
N.T.S.



BYPASS PROFILE
N.T.S.

User: ss8k Drawing Name: K:\WW_Projects\2012\2012_5935_Various Pumping Station Improvements\DWG\SUNSET PARK.dwg Layout: Jun 20, 2013 3:11pm CTB - WM.CTB

No.	DATE	REVISIONS
3		
2		
1		

DES: V.T.
DRN: M.R.L.
CKD:
DATE:

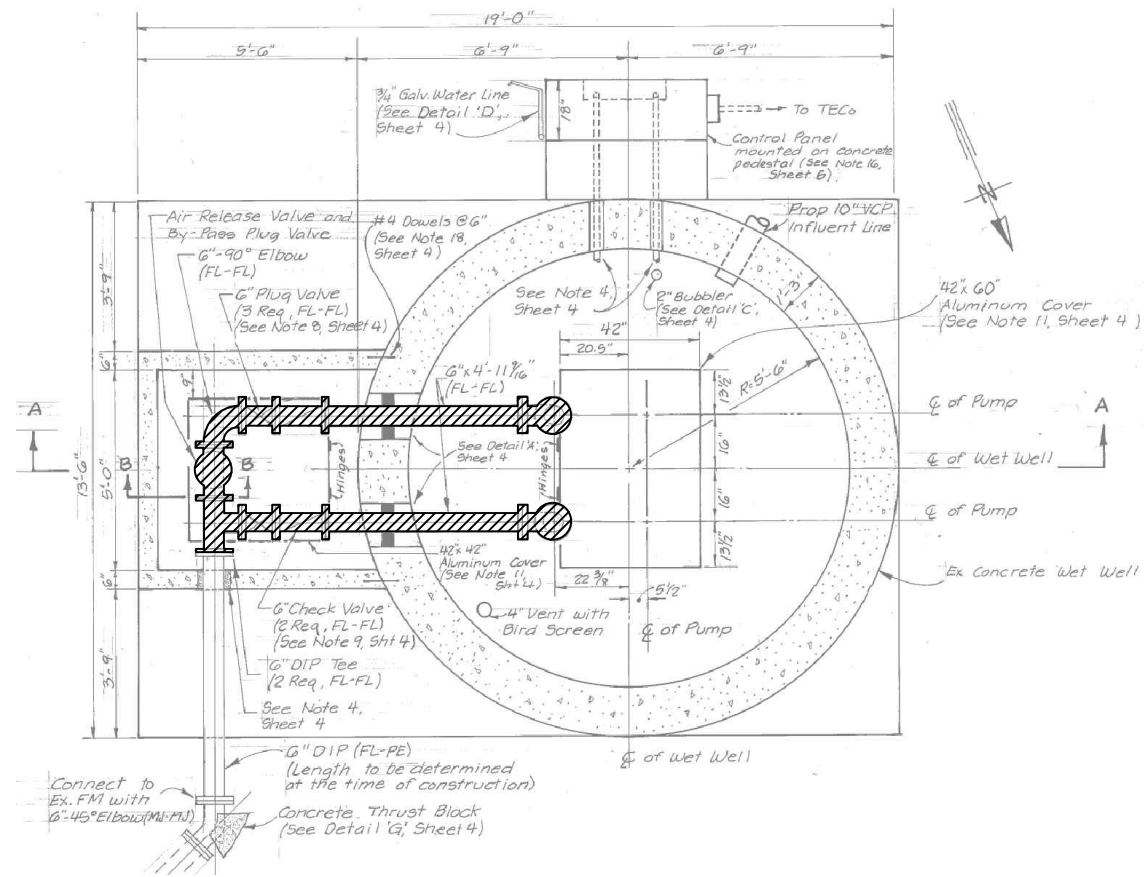
CITY of TAMPA
WASTEWATER DEPARTMENT

MISCELLANEOUS PUMPING STATION REPAIRS
SUNSET PARK PUMPING STATION - SITE PLAN

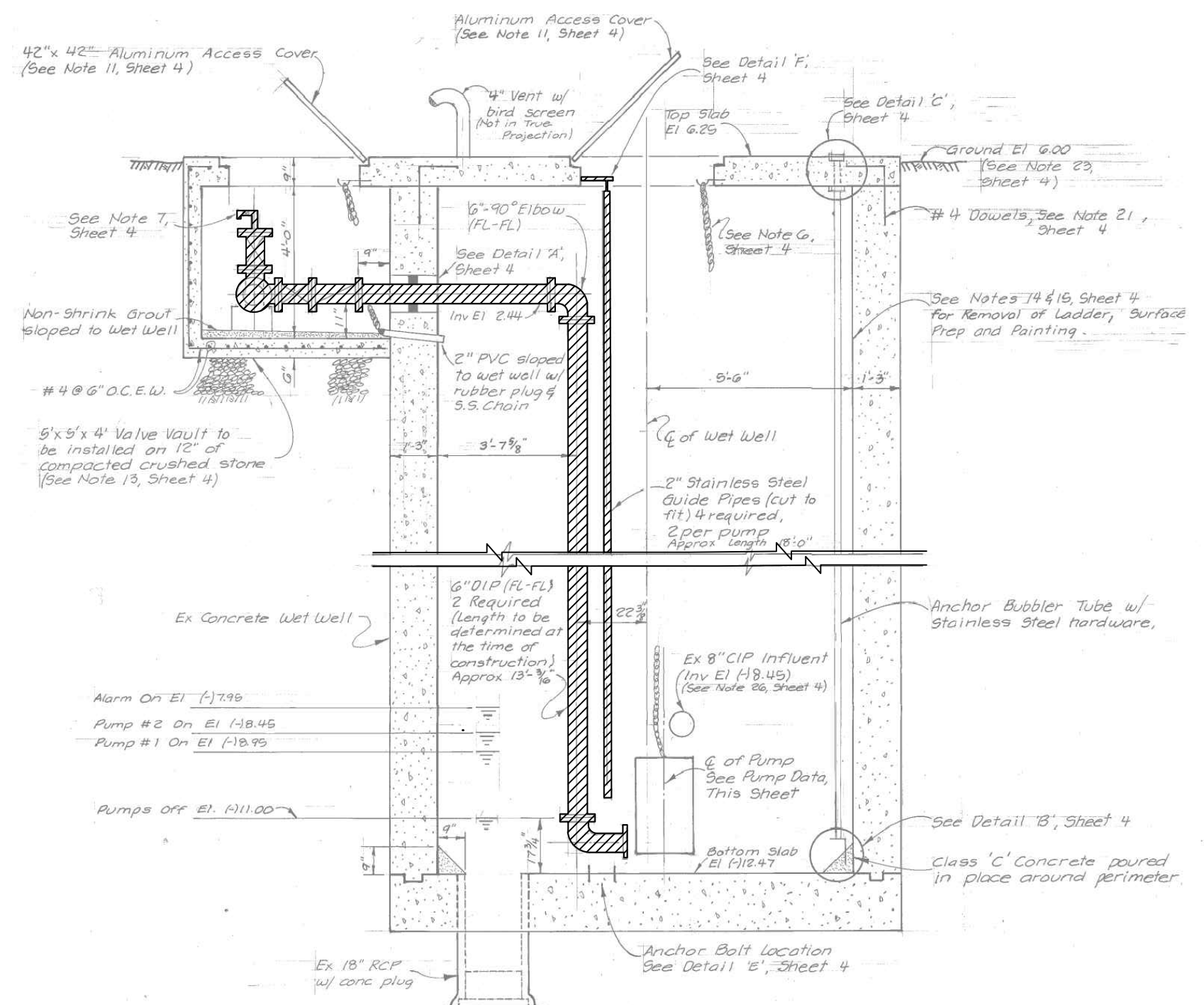
W.O. 5935
SHEET
43
OF 61

JACINTO CARLOS FERRAS, P.E. #49454
DESIGN DIVISION HEAD
WASTEWATER DEPARTMENT

 HATCHED AREAS ON THIS SHEET INDICATE PIPING FITTINGS AND VALVES TO BE REMOVED



PLAN VIEW
N.T.S.



SECTION A-A
N.T.S.

User: ss8k Drawing Name: K:\WW_Projects\2012\2012_5935_Various Pumping Station Improvements\DWG\SUNSET PARK.dwg Layout: Jun 20, 2013 - 3:11pm CTB - WWC.TB

No.	DATE	REVISIONS
3		
2		
1		

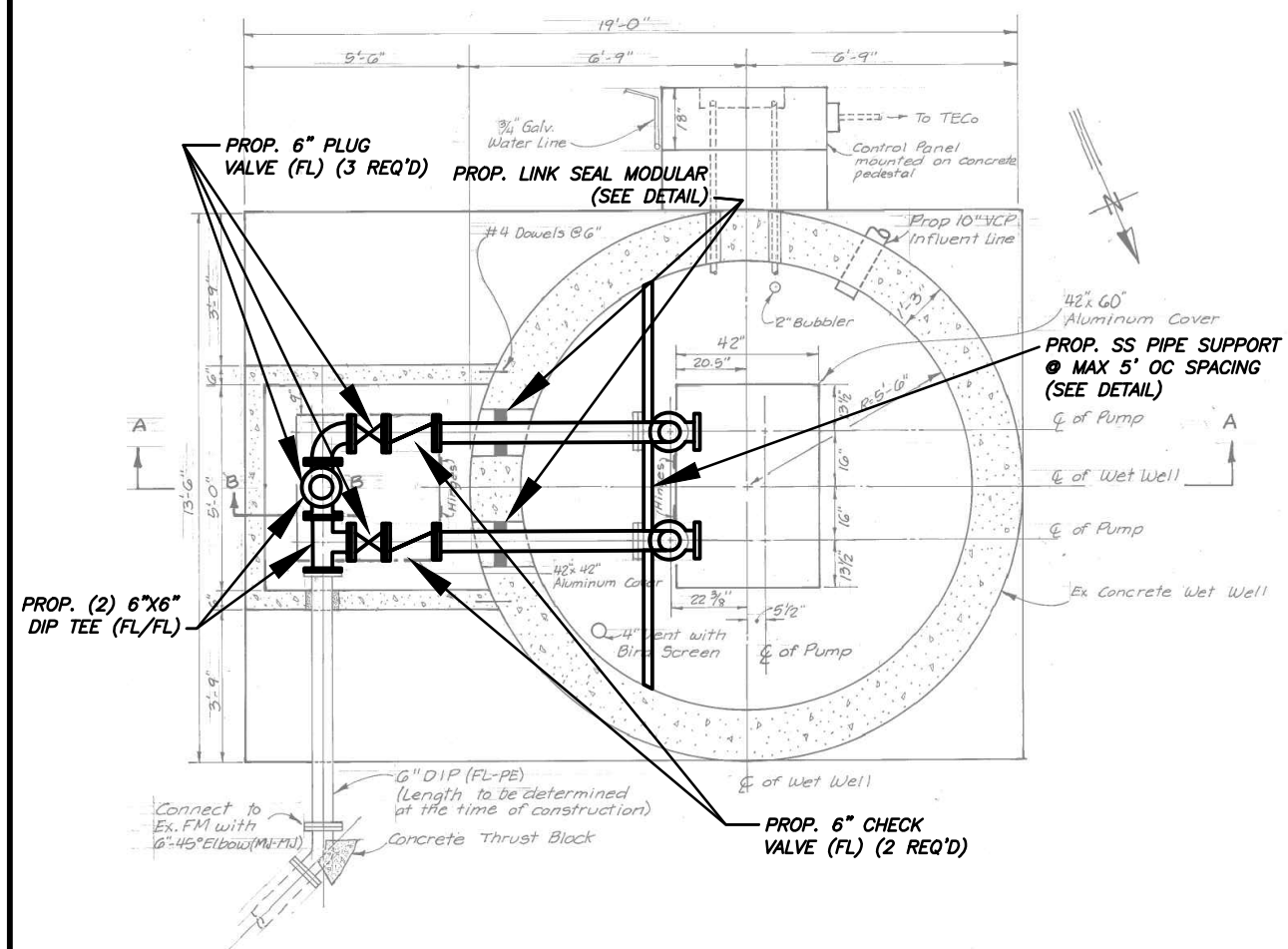
DES: V.T.
DRN: M.R.L.
CKD:
DATE:

CITY of TAMPA
WASTEWATER DEPARTMENT

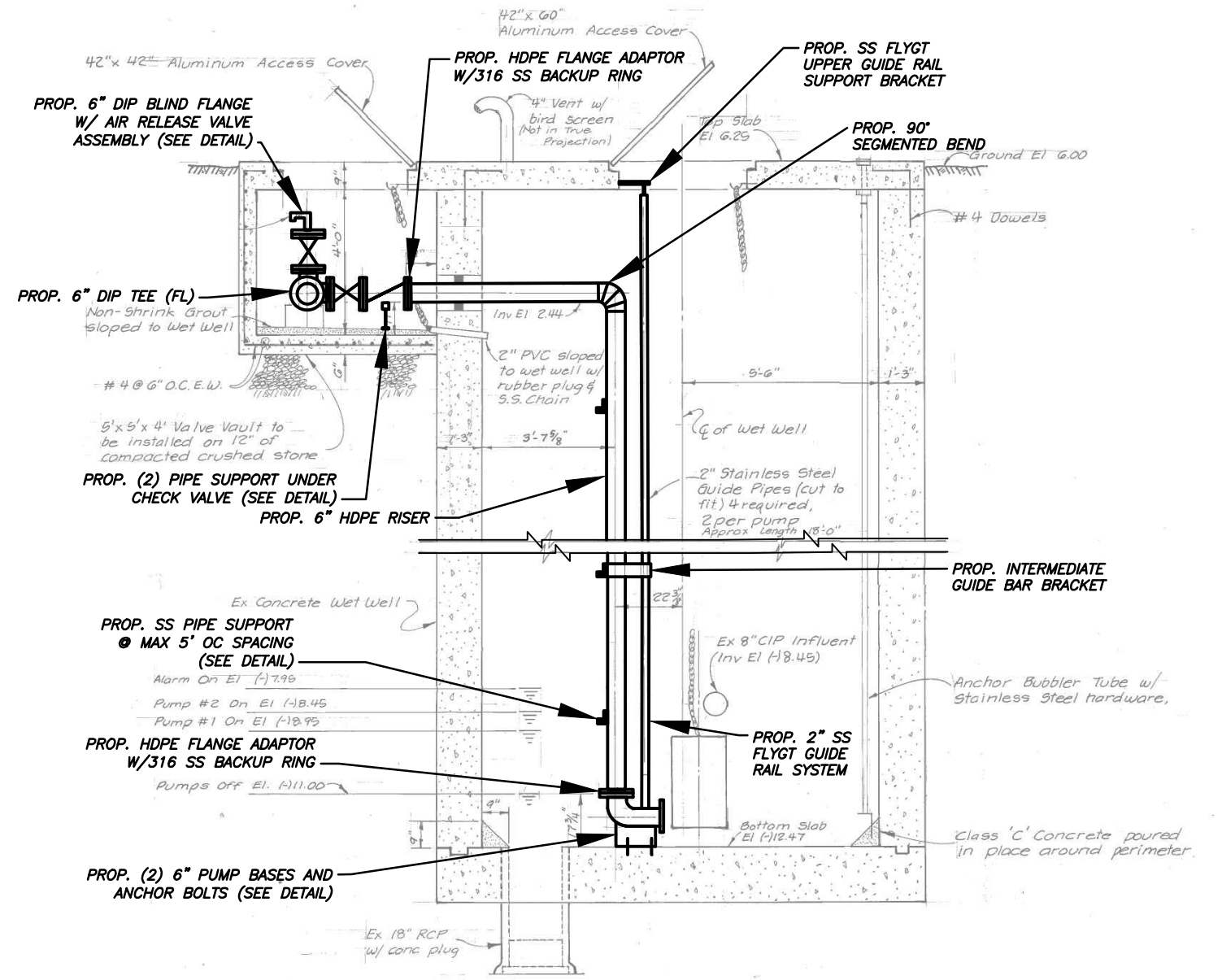
MISCELLANEOUS PUMPING STATION REPAIRS
SUNSET PARK PUMPING STATION - DEMOLITION

W.O. 5935
SHEET
44
OF 61

JACINTO CARLOS FERRAS, P.E. #49454
DESIGN DIVISION HEAD
WASTEWATER DEPARTMENT



PLAN VIEW
N.T.S.



SECTION A-A
N.T.S.

User: ss8k Drawing Name: K:\WW_Projects\2012\2012-5935_Various Pumping Station Improvements\DWG\SUNSET PARK.dwg
Layout - Jun 25, 2013 - 11:20am CTB - MONOCHROME.CTB

No.	DATE	REVISIONS
3		
2		
1		

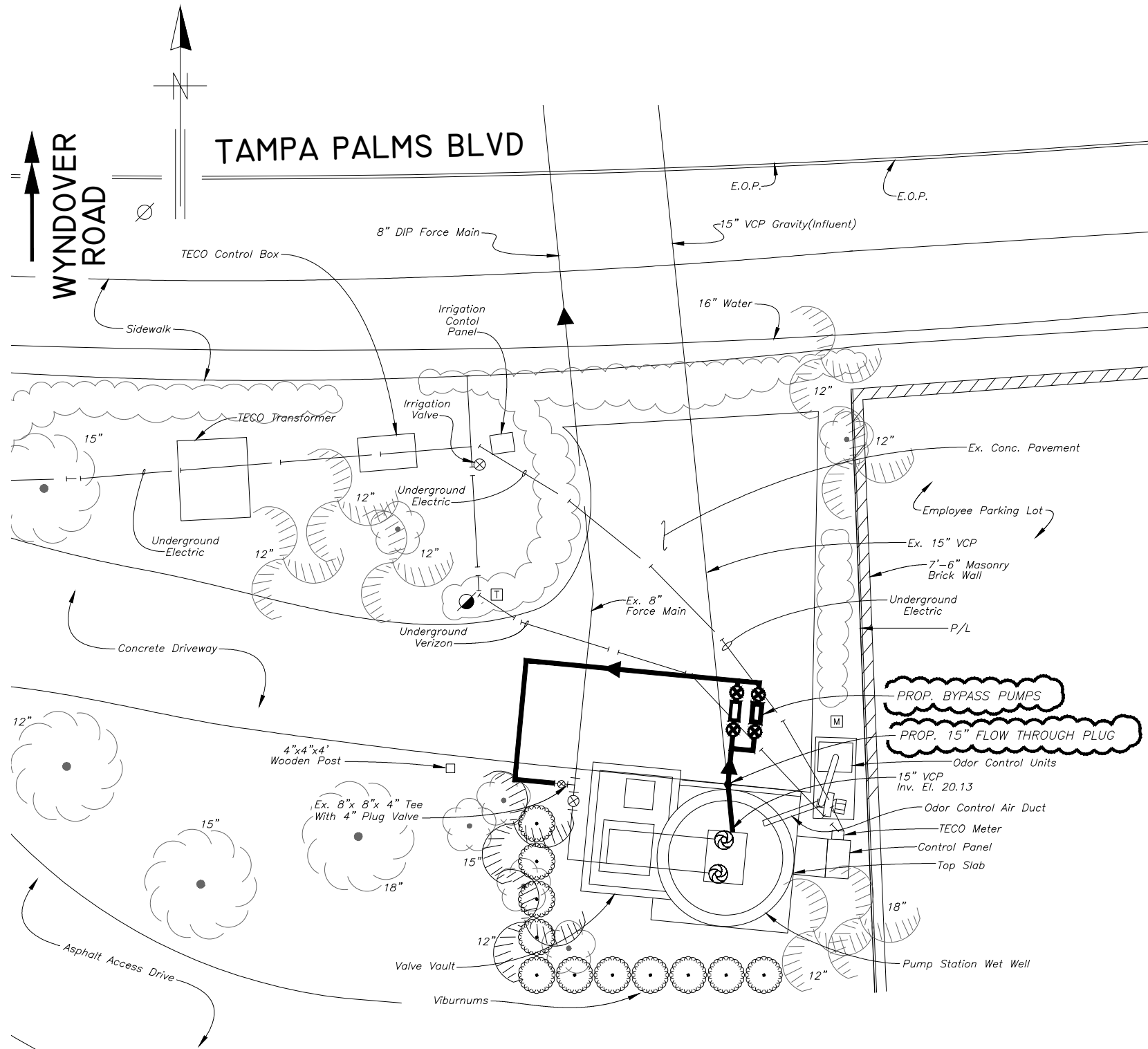
DES: V.T.
DRN: M.R.L.
CKD:
DATE:

CITY of TAMPA
WASTEWATER DEPARTMENT

MISCELLANEOUS PUMPING STATION REPAIRS
SUNSET PARK PUMPING STATION - PROPOSED

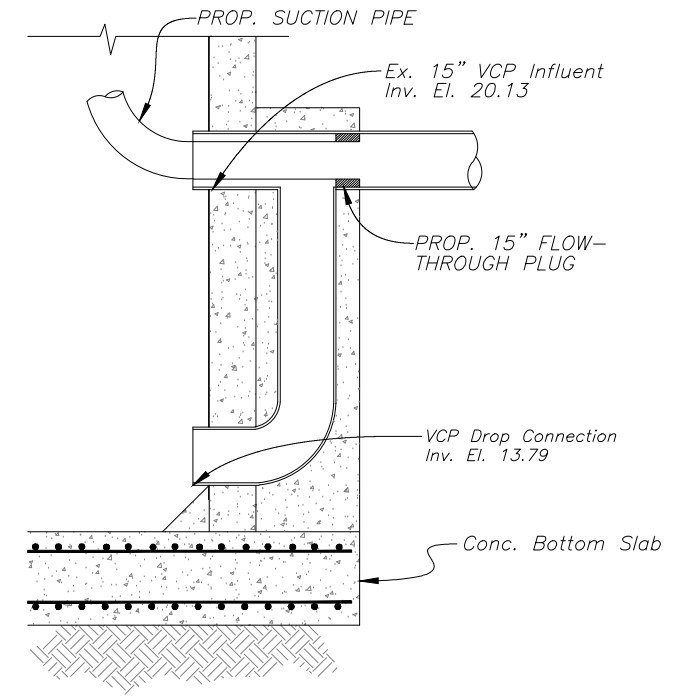
W.O. 5935
SHEET
45
OF 61

JACINTO CARLOS FERRAS, P.E. #49454
DESIGN DIVISION HEAD
WASTEWATER DEPARTMENT



SITE PLAN / BYPASS PLAN

NOT TO SCALE



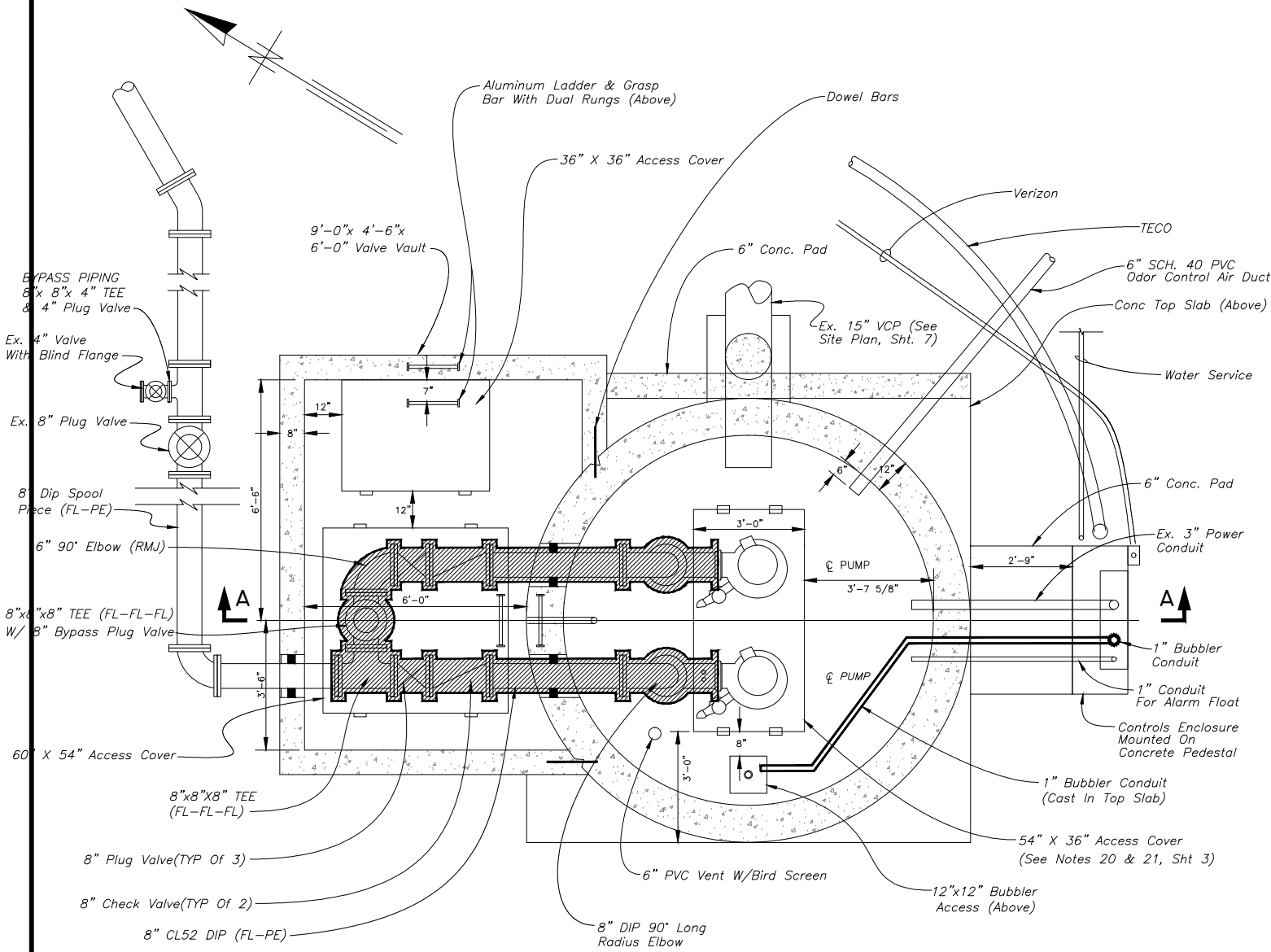
EX. DROP CONNECTION DETAIL

NOT TO SCALE

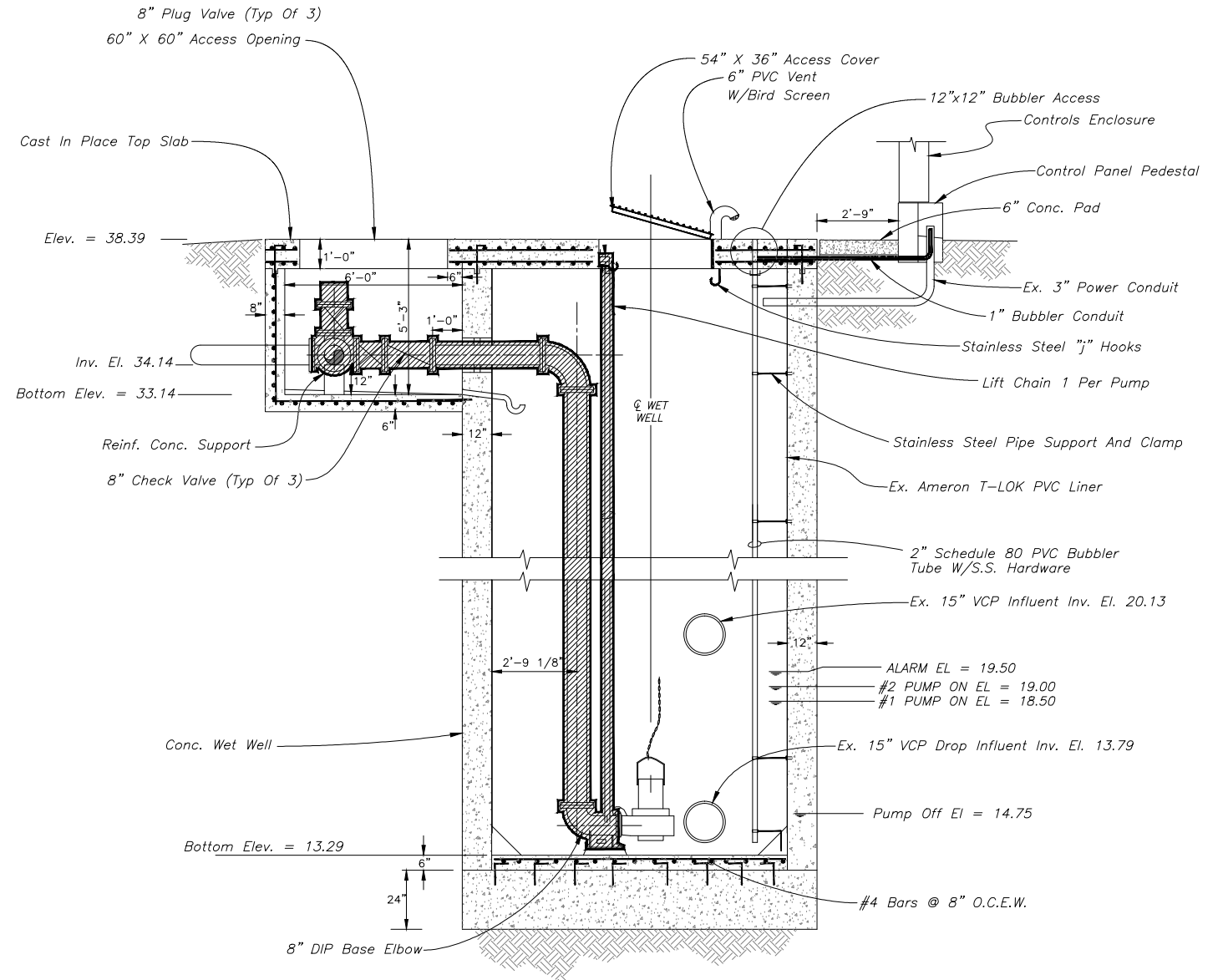
User: ss6k Drawing Name: K:\MW_Projects\2012\5935_Various Pumping Station Improvements\DWG\5935-TampaPalms P.S.dwg Layout- Jun 20, 2013 - 3:11pm

JACINTO CARLOS FERRAS, P.E. #49454 DESIGN DIVISION HEAD WASTEWATER DEPARTMENT	No.	DATE	REVISIONS	DES: V.T.	CITY of TAMPA WASTEWATER DEPARTMENT	MISCELLANEOUS PUMPING STATION REPAIRS TAMPA PALMS PUMPING STATION - SITE PLAN	W.O. 5935
	3			DRN: BB			SHEET
	2			CKD:			46
	1			DATE:			OF 61

HATCHED AREAS ON THIS SHEET INDICATE PIPING, FITTINGS AND VALVES TO BE REMOVED



SECTIONAL PLAN
NOT TO SCALE



SECTION A-A
NOT TO SCALE

User: ss6k Drawing Name: K:\MW_Projects\2012_5935_Various Pumping Station Improvements\DWG\5935-TampaPalms P.S.dwg Layout- Jun 20, 2013 - 3:11pm

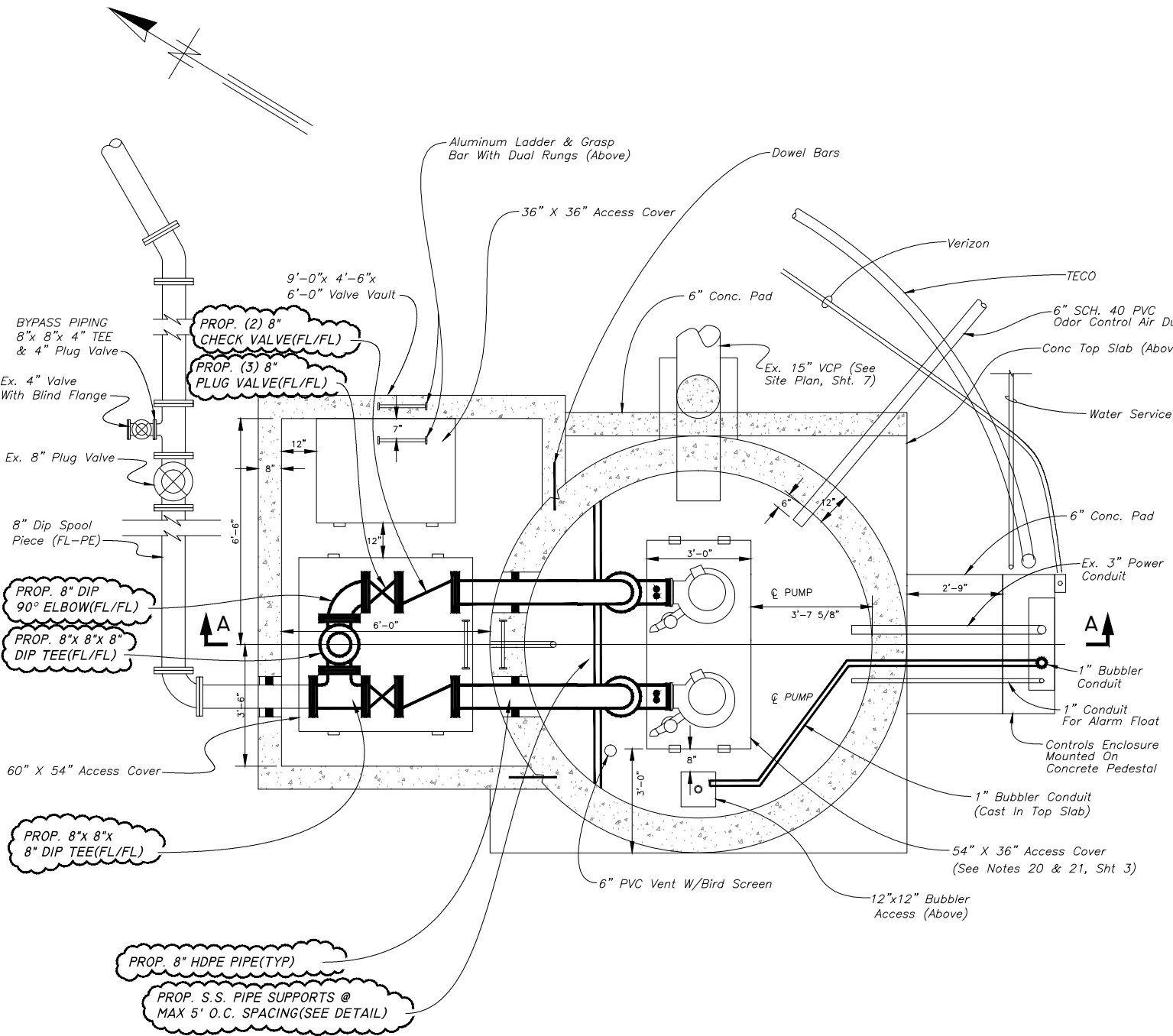
No.	DATE	REVISIONS
3		
2		
1		

DES: V.T.
DRN: *BB*
CKD:
DATE:

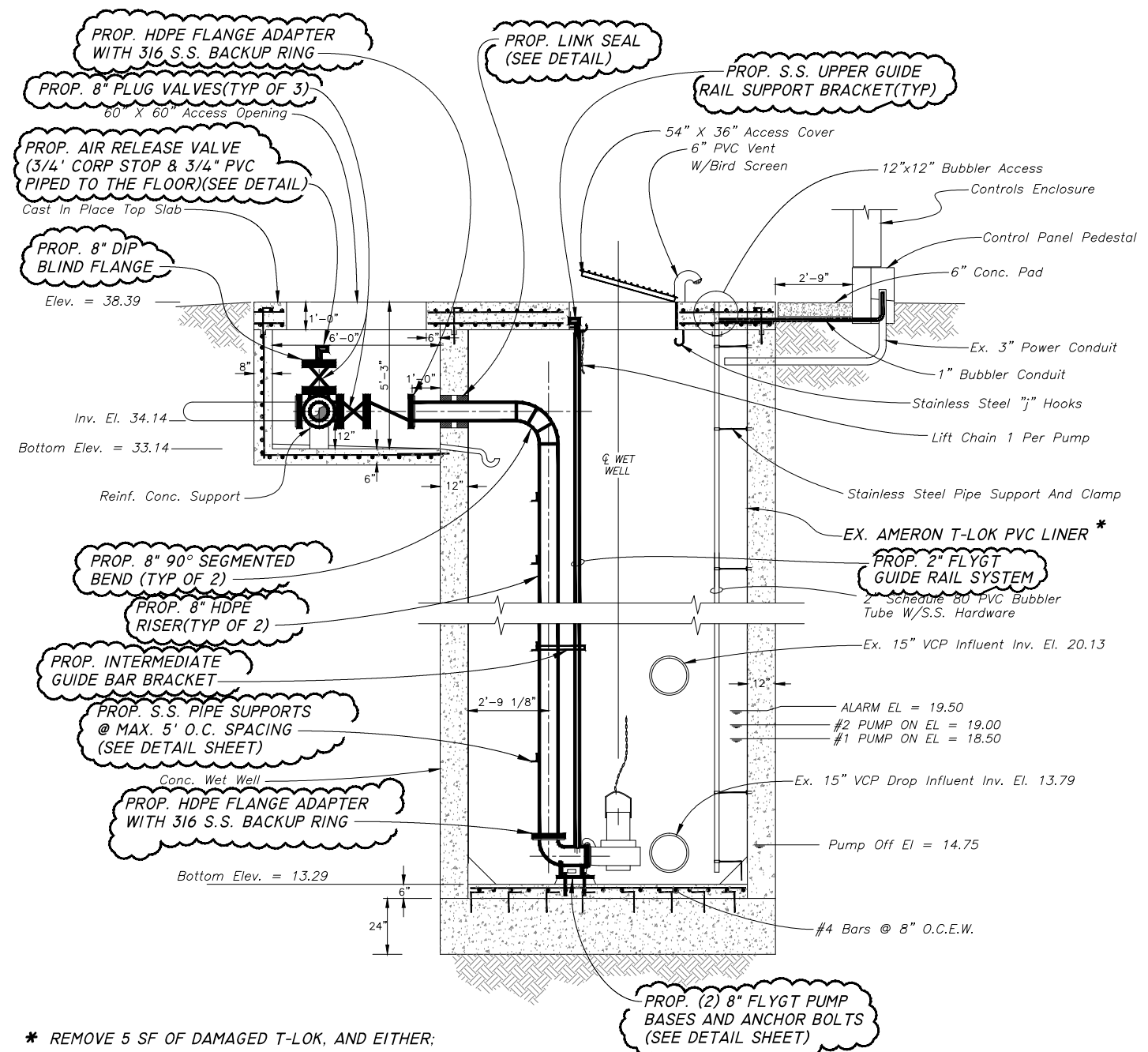
CITY of TAMPA
WASTEWATER DEPARTMENT

MISCELLANEOUS PUMPING STATION REPAIRS
TAMPA PALMS PUMPING STATION - EXISTING SECTIONS

W.O. 5935
SHEET
47
OF 61



SECTIONAL PLAN
NOT TO SCALE



SECTION A-A
NOT TO SCALE

* REMOVE 5 SF OF DAMAGED T-LOK, AND EITHER:
 1) REPLACE IN-KIND AND WELD TO EX. T-LOK, OR
 2) INSTALL 125 MILS OF CONCRETE POLYMER PASTE (CCP) COATING WITH 3\"/>

User: ss6k Drawing Name: K:\MW_Projects\2012\2012-5935_Various Pumping Station Improvements\DWG\5935-TampaPalms P.S.dwg Layout- Jun 25, 2013 - 11:18am

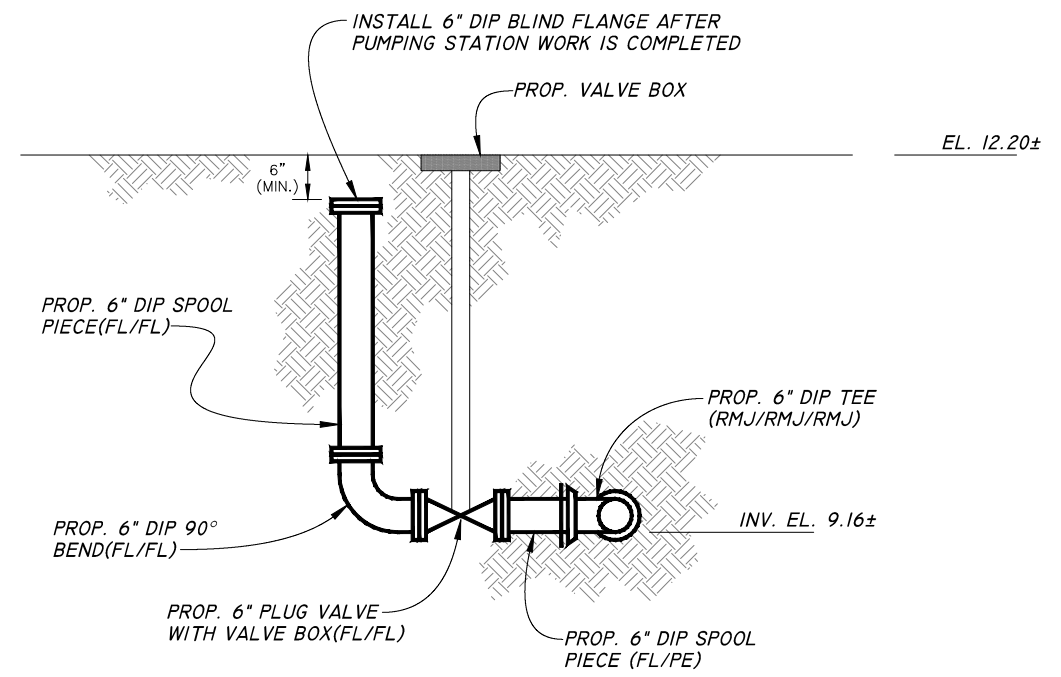
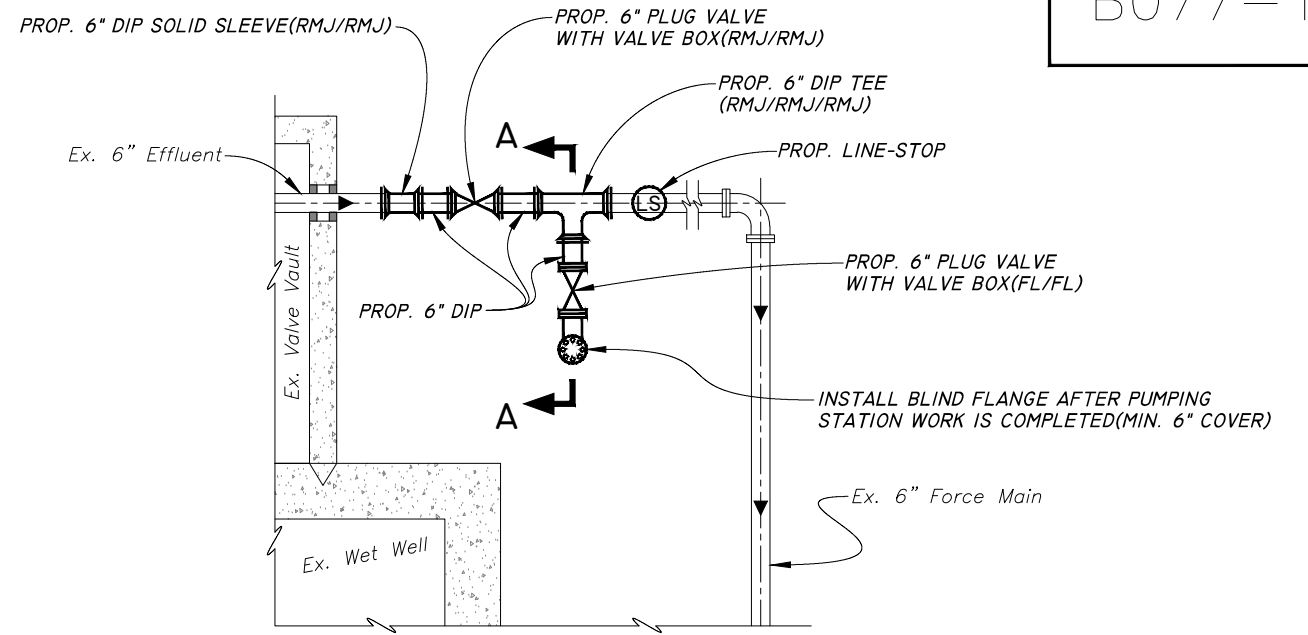
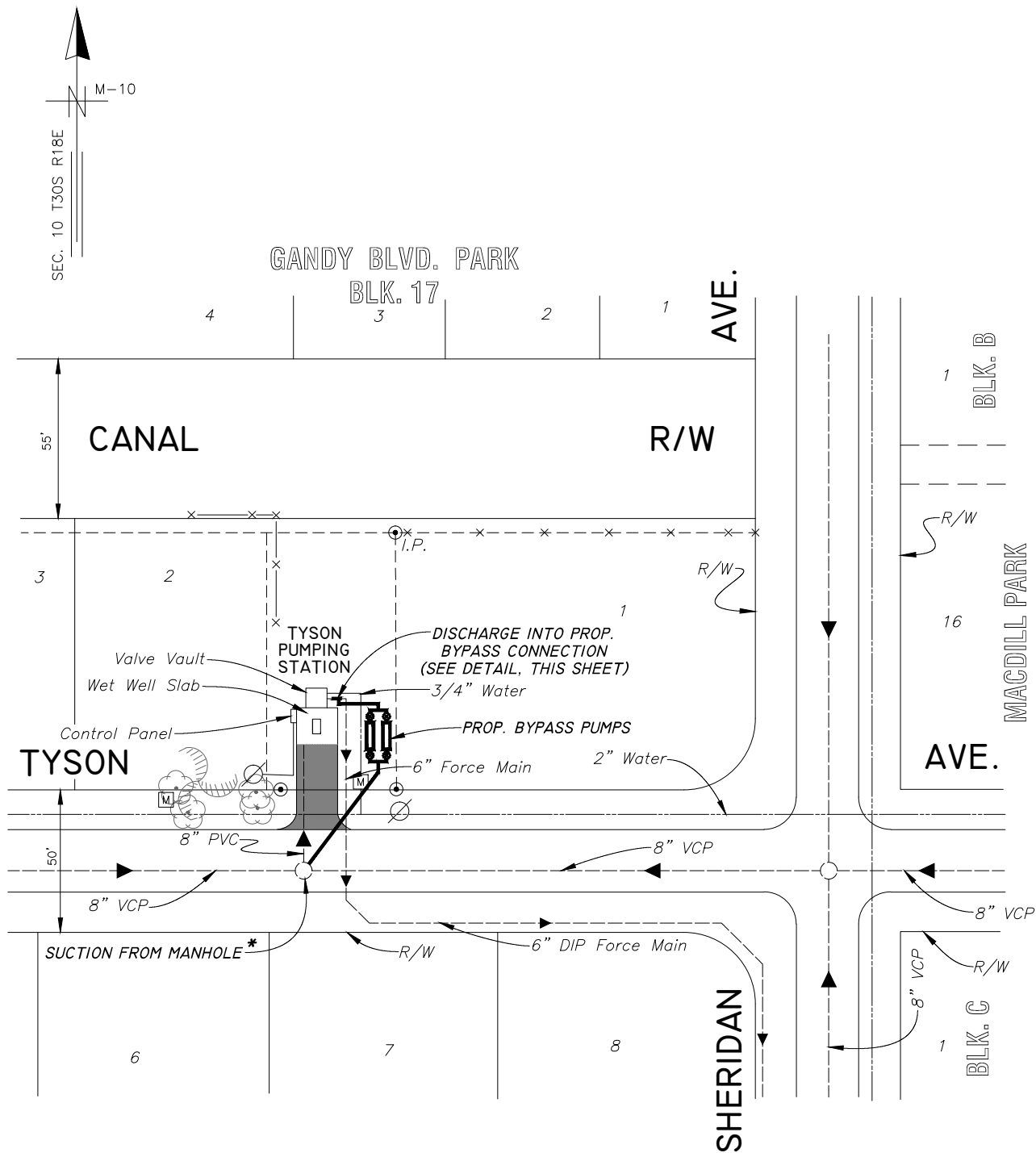
No.	DATE	REVISIONS
3		
2		
1		

DES: V.T.
 DRN: BB
 CKD:
 DATE:

CITY of TAMPA
 WASTEWATER DEPARTMENT

MISCELLANEOUS PUMPING STATION REPAIRS
 TAMPA PALMS PUMPING STATION - PROPOSED
 SECTIONS

W.O. 5935
 SHEET
 48
 OF 61



User: ss6k Drawing Name: K:\MW_Projects\2012\2012_5935_Various Pumping Station Improvements\DWG\5935-Tyson P.S.dwg Layout- Jun 20, 2013 - 3:12pm

No.	DATE	REVISIONS
3		
2		
1		

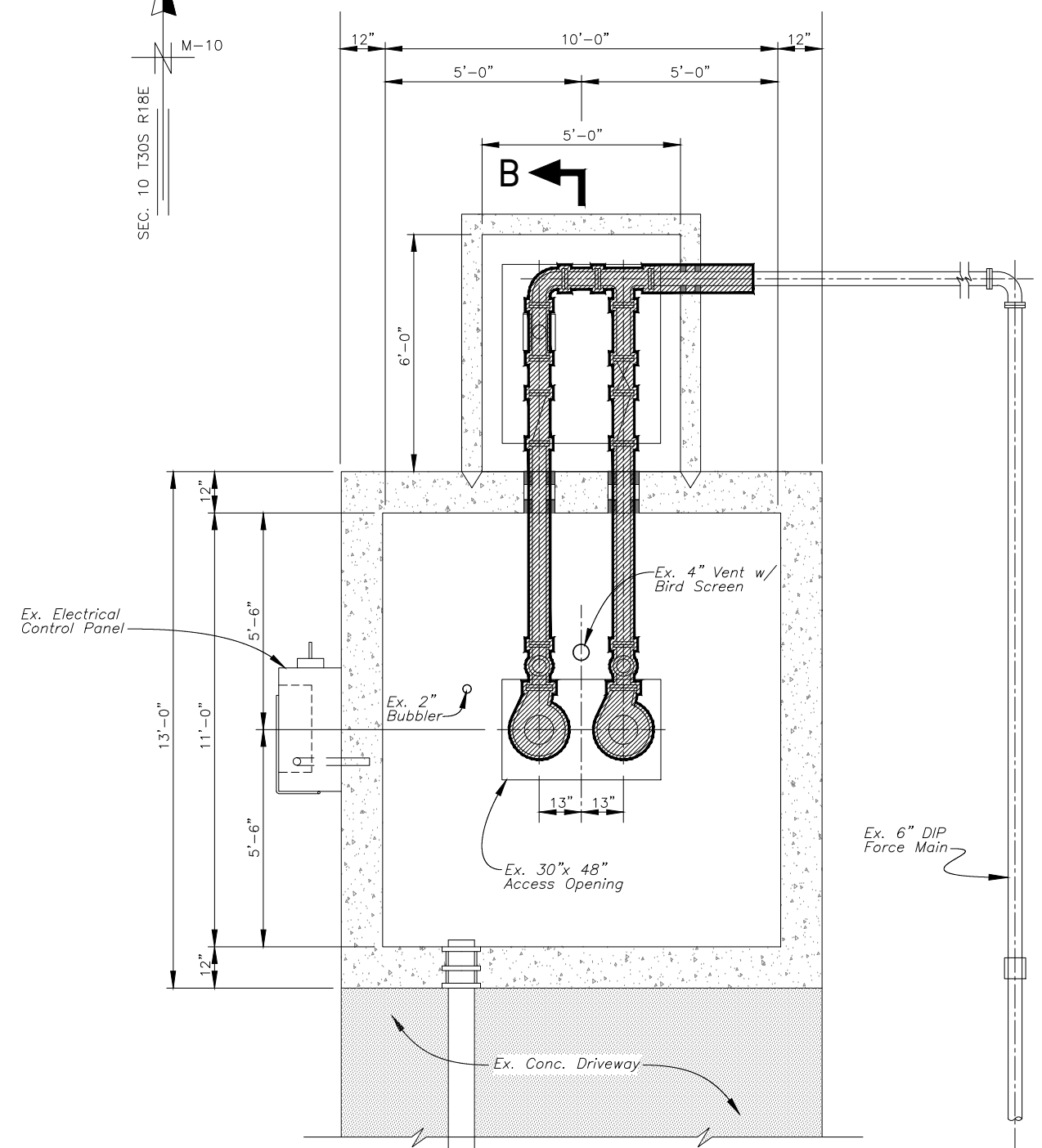
DES: V.T.
DRN: BB
CKD:
DATE:

CITY of TAMPA
WASTEWATER DEPARTMENT

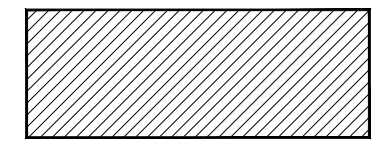
MISCELLANEOUS PUMPING STATION REPAIRS
TYSON PUMPING STATION - SITE PLAN

W.O. 5935
SHEET
49
OF 61

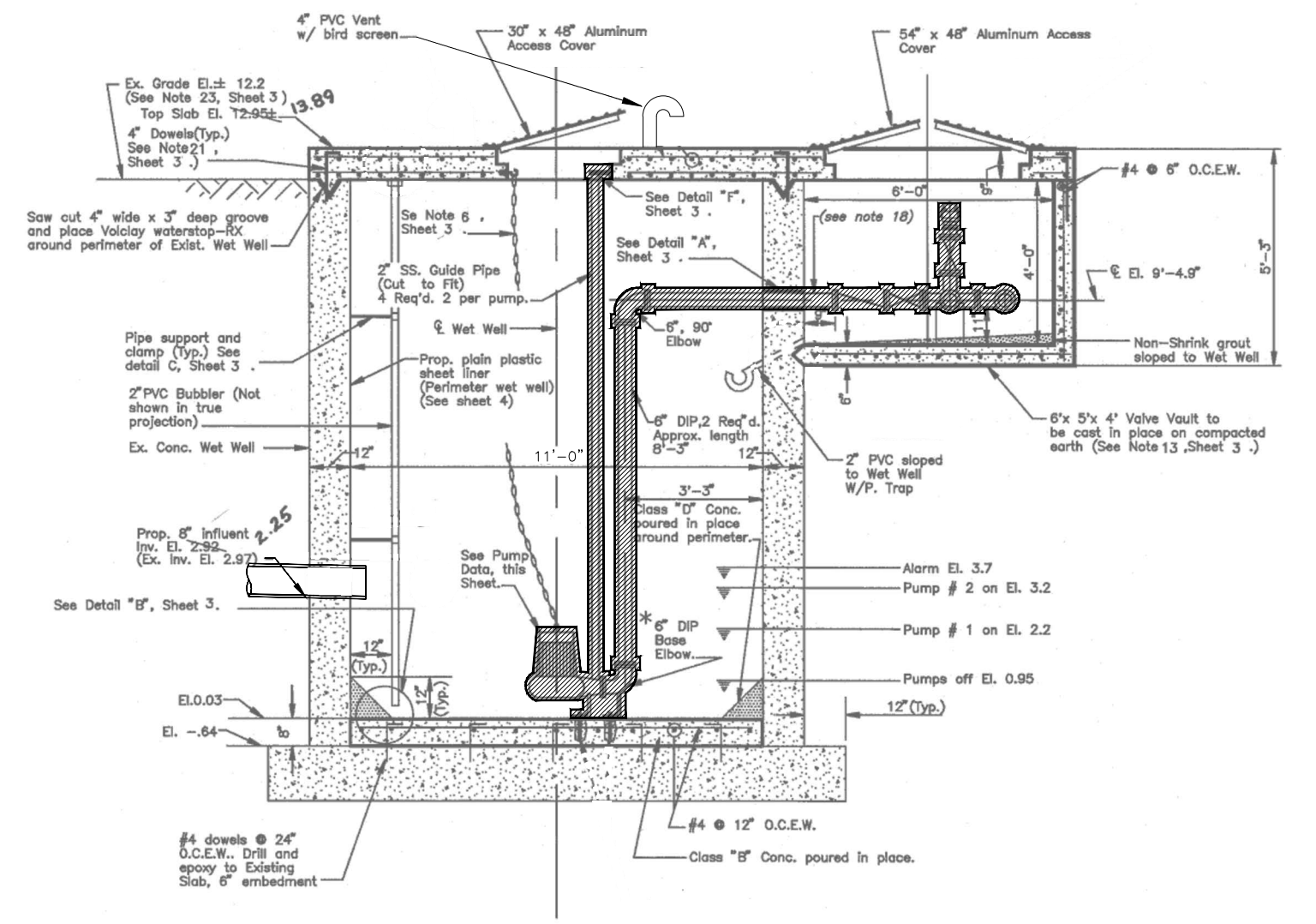
SEC. 10 T30S R18E
M-10



PLAN VIEW
NOT TO SCALE



HATCHED AREAS ON THIS SHEET INDICATE PIPING, FITTINGS AND VALVES TO BE REMOVED



SECTION B-B
NOT TO SCALE

User: ss6k Drawing Name: K:\MW_Projects\2012_5935_Various Pumping Station Improvements\DWG\5935-Tyson P.S.dwg Layout- Jun 20, 2013 - 3:12pm

No.	DATE	REVISIONS
3		
2		
1		

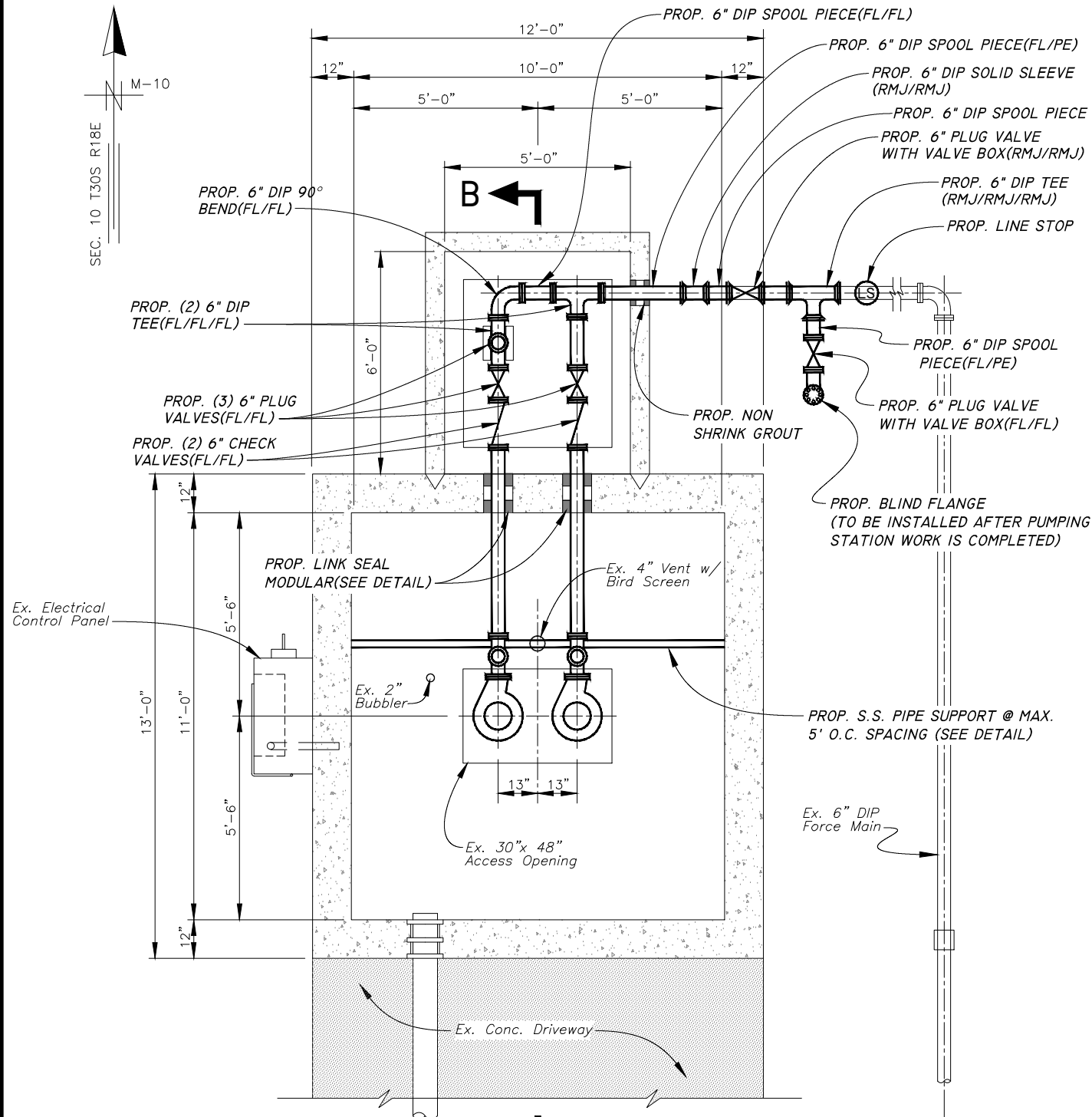
JACINTO CARLOS FERRAS, P.E. #49454
DESIGN DIVISION HEAD
WASTEWATER DEPARTMENT

DES: V.T.
DRN: BB
CKD:
DATE:

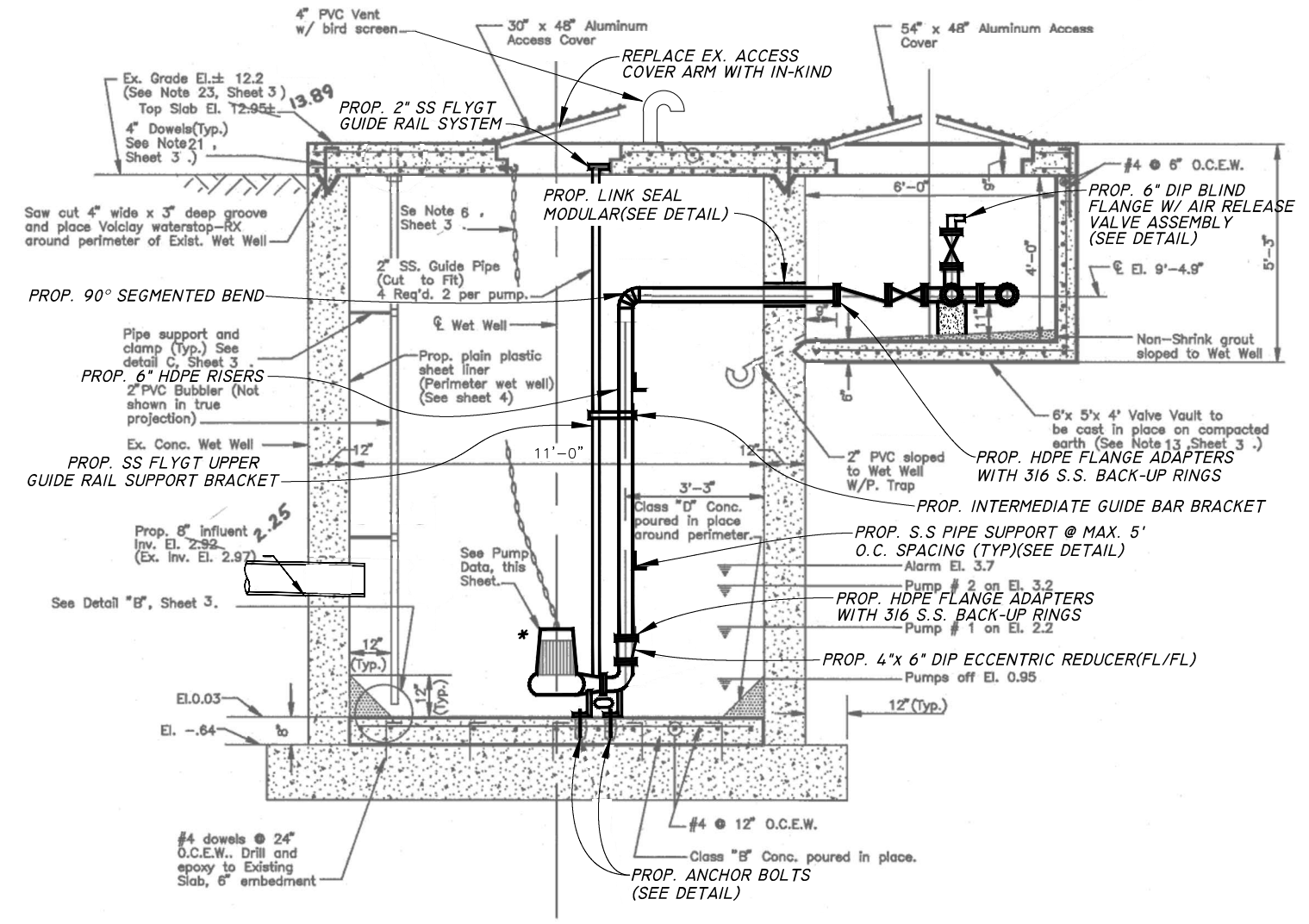
CITY of TAMPA
WASTEWATER DEPARTMENT

MISCELLANEOUS PUMPING STATION REPAIRS
TYSON PUMPING STATION - EXISTING SECTIONS

W.O. 5935
SHEET
50
OF 61



B ←
PLAN VIEW
 NOT TO SCALE



SECTION B-B
 NOT TO SCALE

* CITY TO PROVIDE (2) FLYGT PUMPS (NP3102.181) AND (2) 4" PUMP BASES

User: ss6k Drawing Name: K:\MW_Projects\2012\2012_5935_Various Pumping Station Improvements\DWG\5935-Tyson P.S.dwg Layout- Jun 20, 2013 - 3:12pm

No.	DATE	REVISIONS
3		
2		
1		

DES: V.T.
 DRN: BB
 CKD:
 DATE:

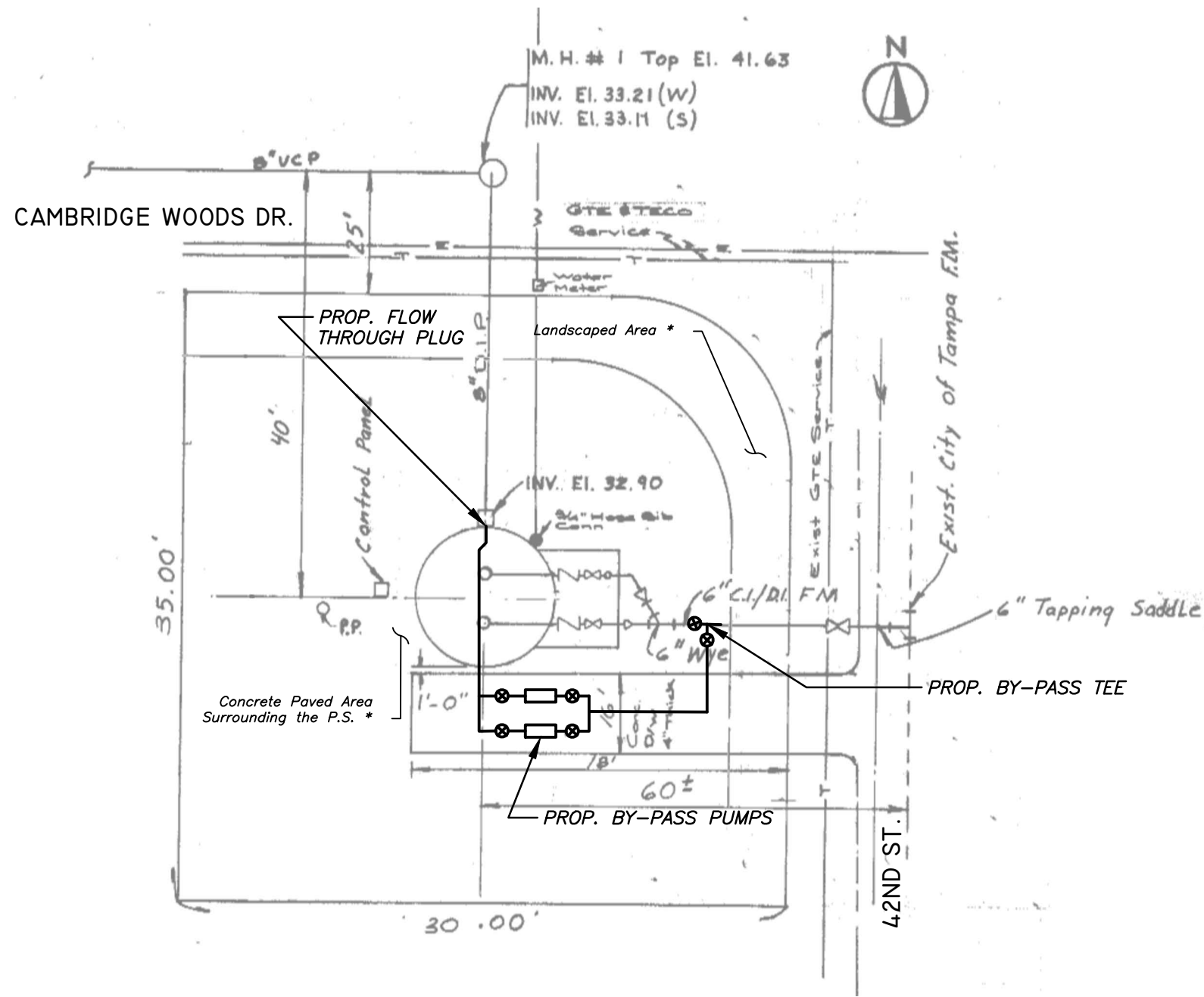
CITY of TAMPA
 WASTEWATER DEPARTMENT

MISCELLANEOUS PUMPING STATION REPAIRS
 TYSON PUMPING STATION - PROPOSED SECTIONS

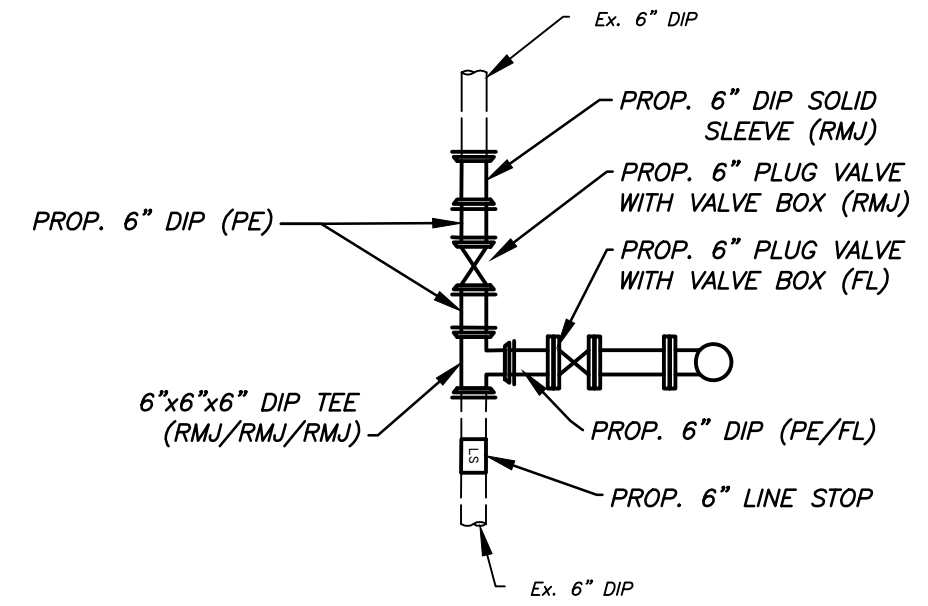
W.O. 5935
 SHEET
 51
 OF 61

JACINTO CARLOS FERRAS, P.E. #49454
 DESIGN DIVISION HEAD
 WASTEWATER DEPARTMENT

* THERE HAVE BEEN CONSIDERABLE SITE MODIFICATION SINCE THE PUMPSTATION'S ORIGINAL CONSTRUCTION. THIS SITE PLAN DOES NOT DEPICT THESE MODIFICATION AND THE CONTRACTOR IS ADVISED TO VISIT THE SITE

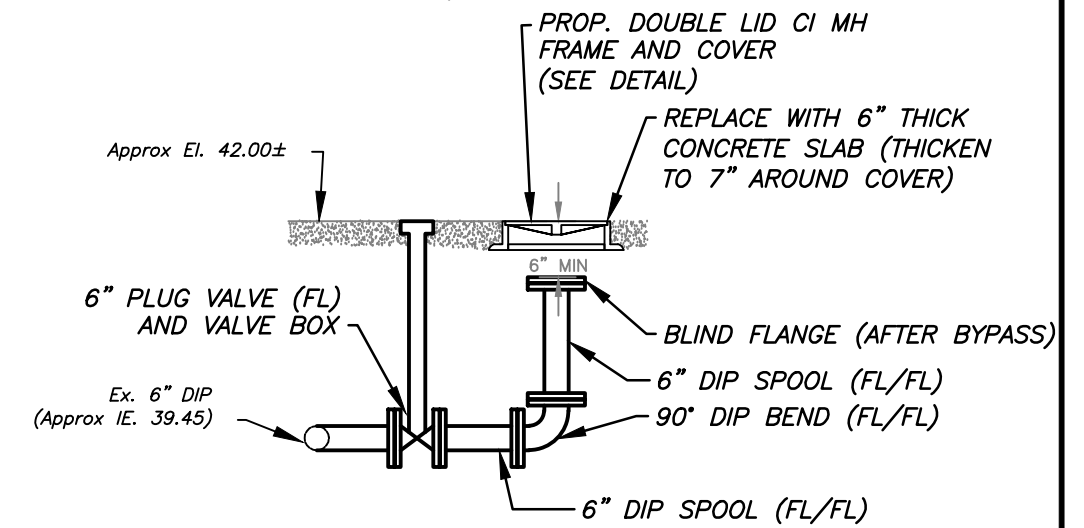


SITE PLAN
N.T.S.



BYPASS PLAN

N.T.S.



BYPASS PROFILE

N.T.S.

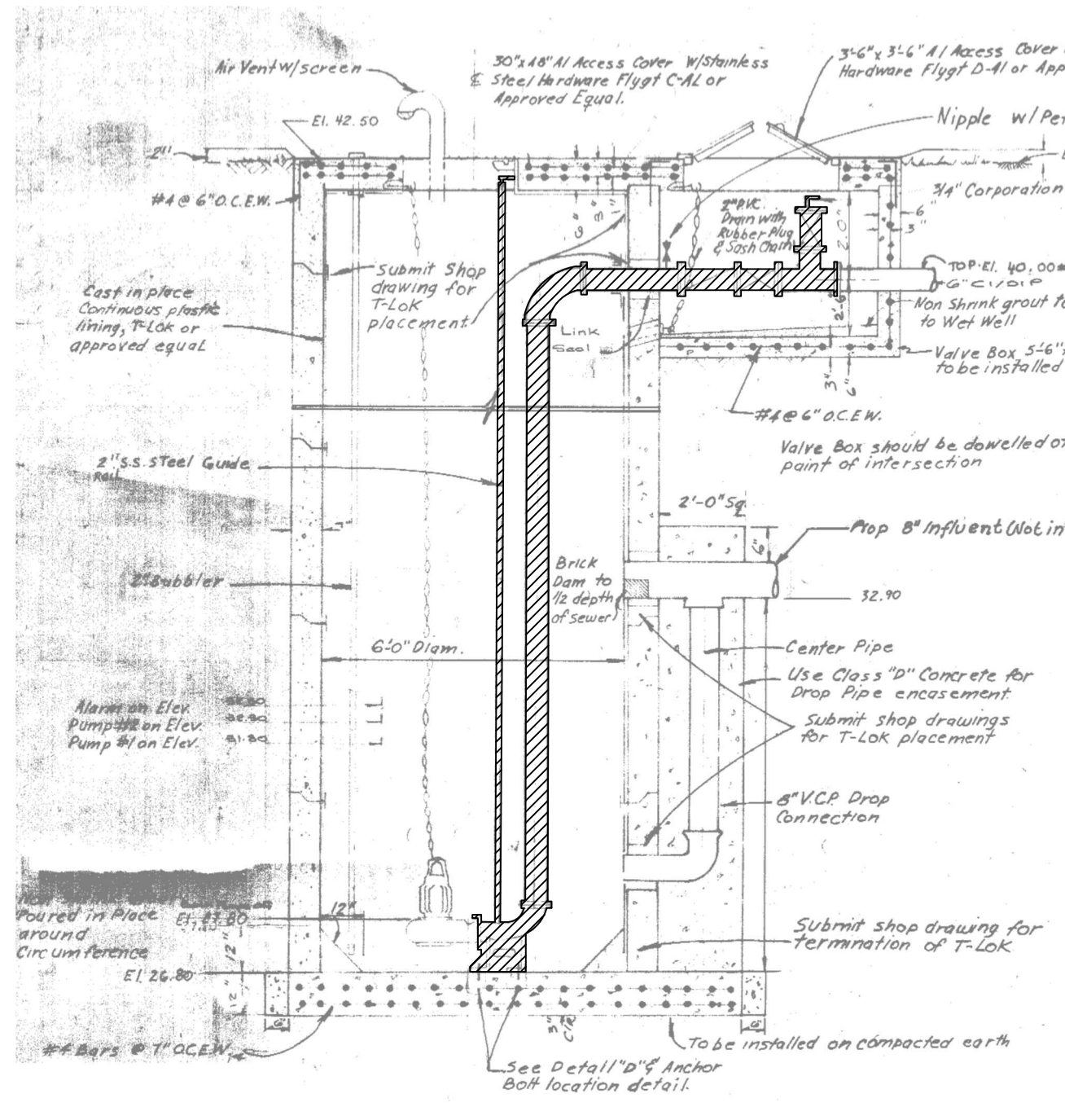
No.	DATE	REVISIONS
3		
2		
1		

DES: V.T.
DRN: M.R.L.
CKD:
DATE:

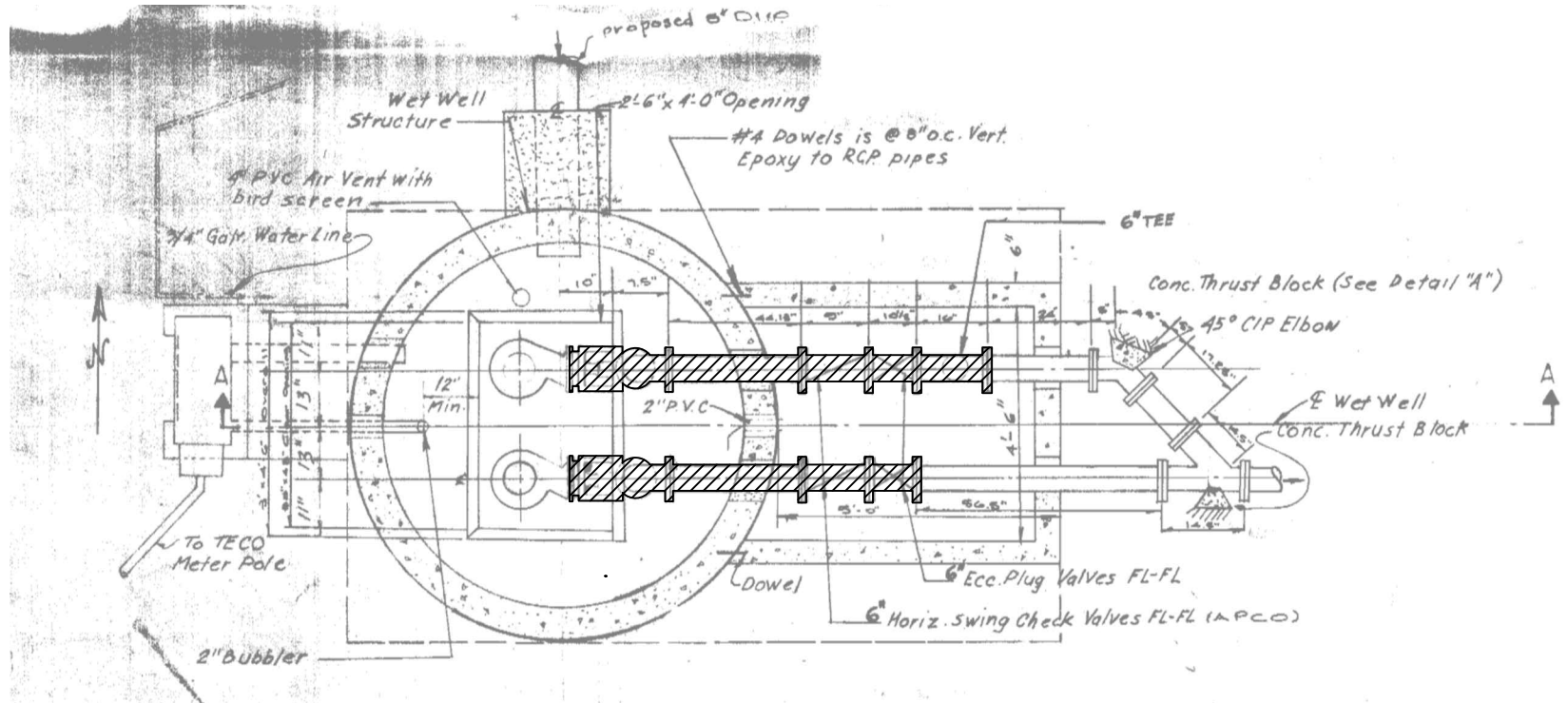
CITY of TAMPA
WASTEWATER DEPARTMENT

MISCELLANEOUS PUMPING STATION REPAIRS
UNIVERSITY WOODS PUMPING STATION - SITE PLAN

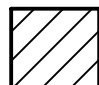
W.O. 5935
SHEET
52
OF 61



SECTION A-A
N.T.S.



PLAN VIEW
N.T.S.

 HATCHED AREAS ON THIS SHEET INDICATE PIPING FITTINGS AND VALVES TO BE REMOVED

User: ss8k Drawing Name: K:\WW_Projects\2012\2012_5935_Various Pumping Station Improvements\DWG\UNIVERSITY WOODS.dwg Layout: Jun 20, 2013 - 3:13pm CTB - WW.CTB

JACINTO CARLOS FERRAS, P.E. #49454
DESIGN DIVISION HEAD
WASTEWATER DEPARTMENT

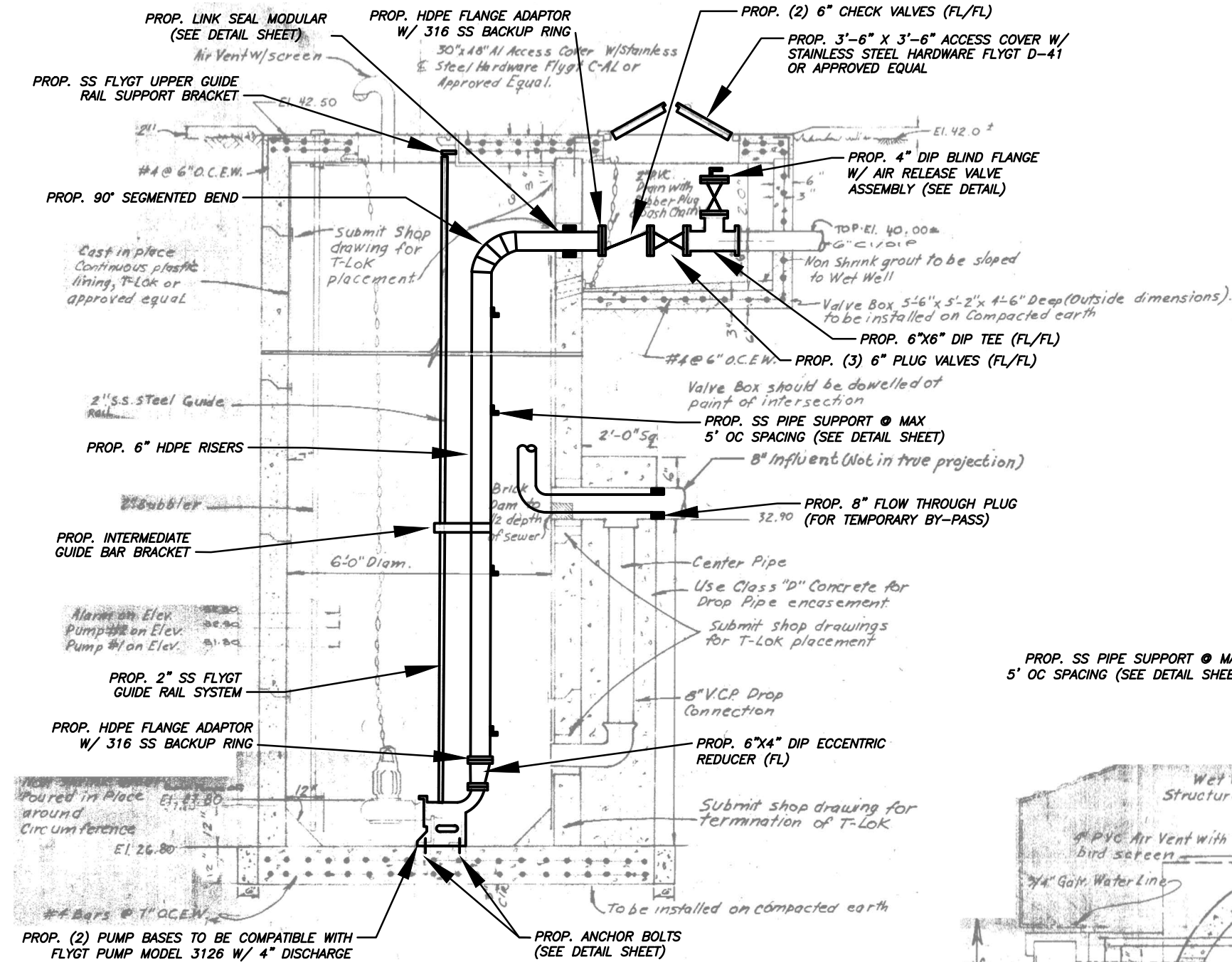
No.	DATE	REVISIONS
3		
2		
1		

DES: V.T.
DRN: M.R.L.
CKD:
DATE:

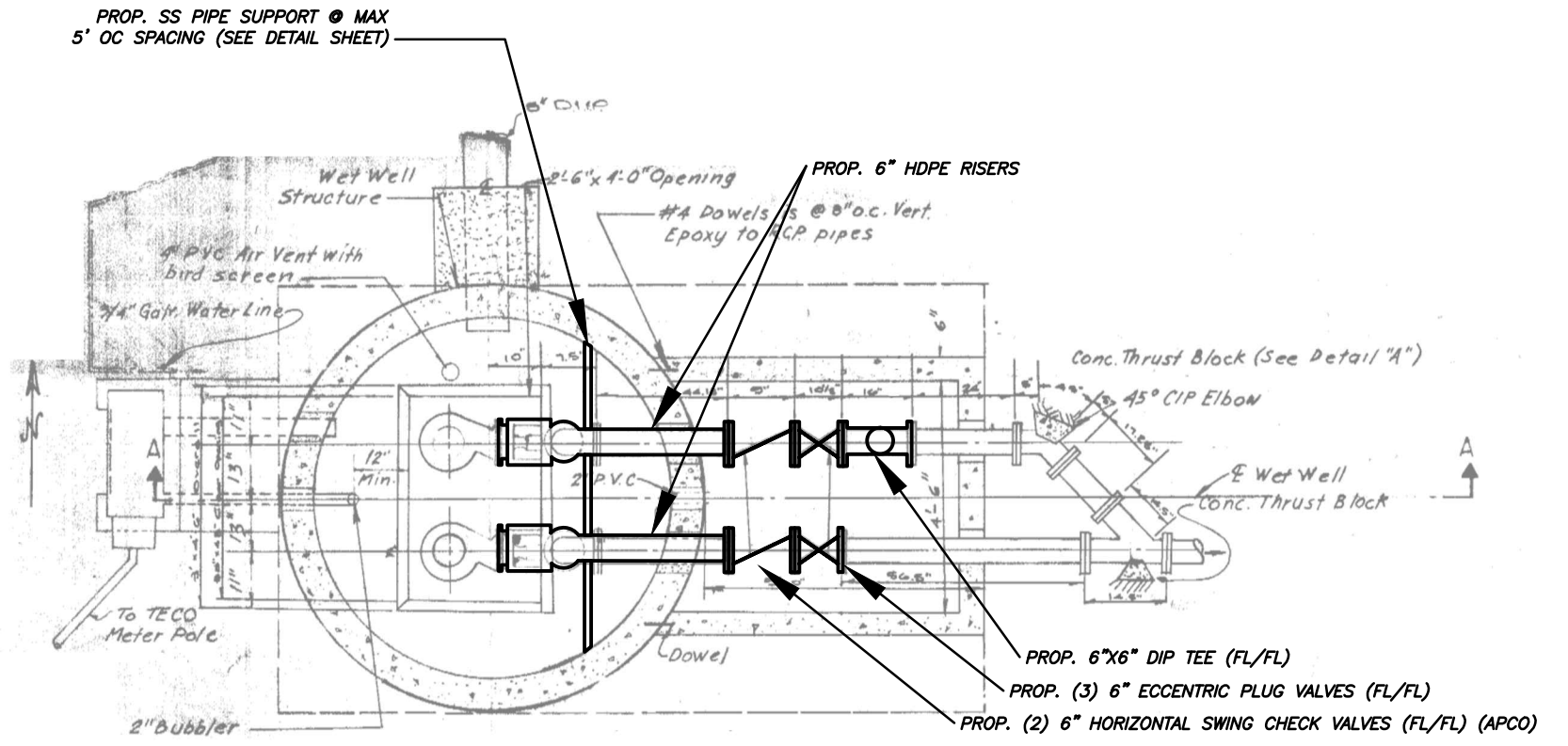
CITY of TAMPA
WASTEWATER DEPARTMENT

MISCELLANEOUS PUMPING STATION REPAIRS
UNIVERSITY WOODS PUMPING STATION - DEMOLITION

W.O. 5935
SHEET
53
OF 61



SECTION A-A
N.T.S.



PLAN VIEW
N.T.S.

User: ss8k Drawing Name: K:\WW_Projects\2012\2012_5935_Various Pumping Station Improvements\DWG\UNIVERSITY WOODS.dwg Layout: Jun 20, 2013 - 3:13pm CTB - WW.CTB

JACINTO CARLOS FERRAS, P.E. #49454
DESIGN DIVISION HEAD
WASTEWATER DEPARTMENT

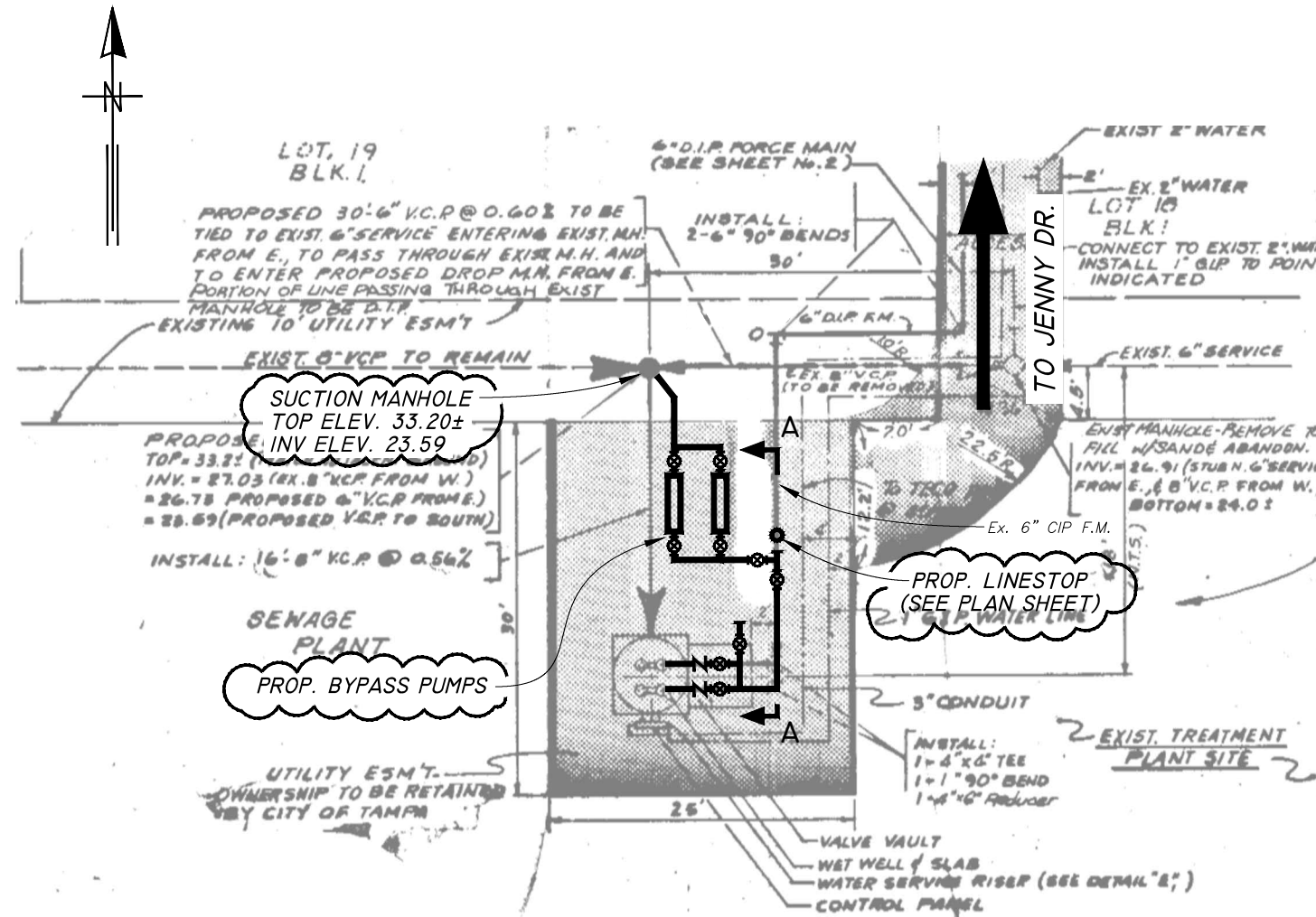
No.	DATE	REVISIONS
3		
2		
1		

DES: V.T.
DRN: M.R.L.
CKD:
DATE:

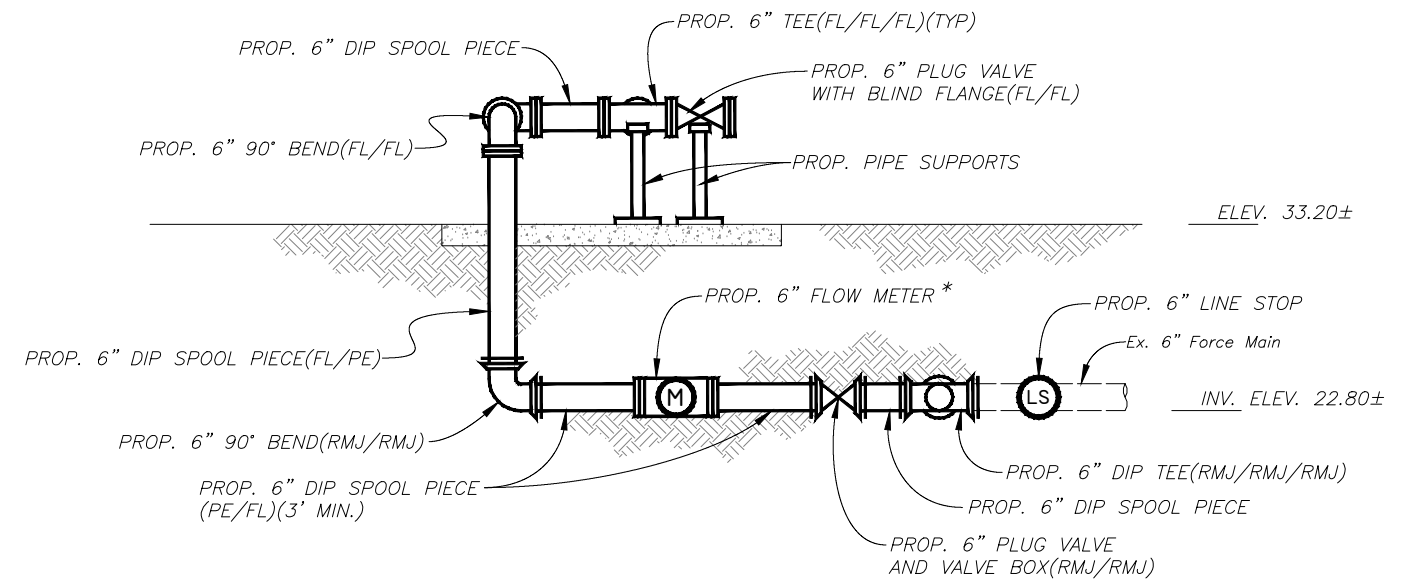
CITY of TAMPA
WASTEWATER DEPARTMENT

MISCELLANEOUS PUMPING STATION REPAIRS
UNIVERSITY WOODS PUMPING STATION - PROPOSED

W.O. 5935
SHEET
54
OF 61



SITE PLAN
NOT TO SCALE



SECTION A-A
NOT TO SCALE

* ABB ELECTROMAGNETIC FLOW METER
MODEL #FEV121150VIS4A1B1H1A2A3B3A1

User: ss6k Drawing Name: K:\MW_Projects\2012_5935_Various Pumping Station Improvements\DWG\5935-Wildwood P.S.dwg Layout- Jun 20, 2013 - 3:14pm

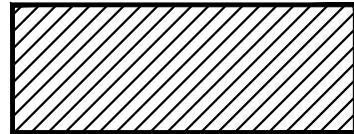
No.	DATE	REVISIONS
3		
2		
1		

DES: V.T.
DRN: BB
CKD:
DATE:

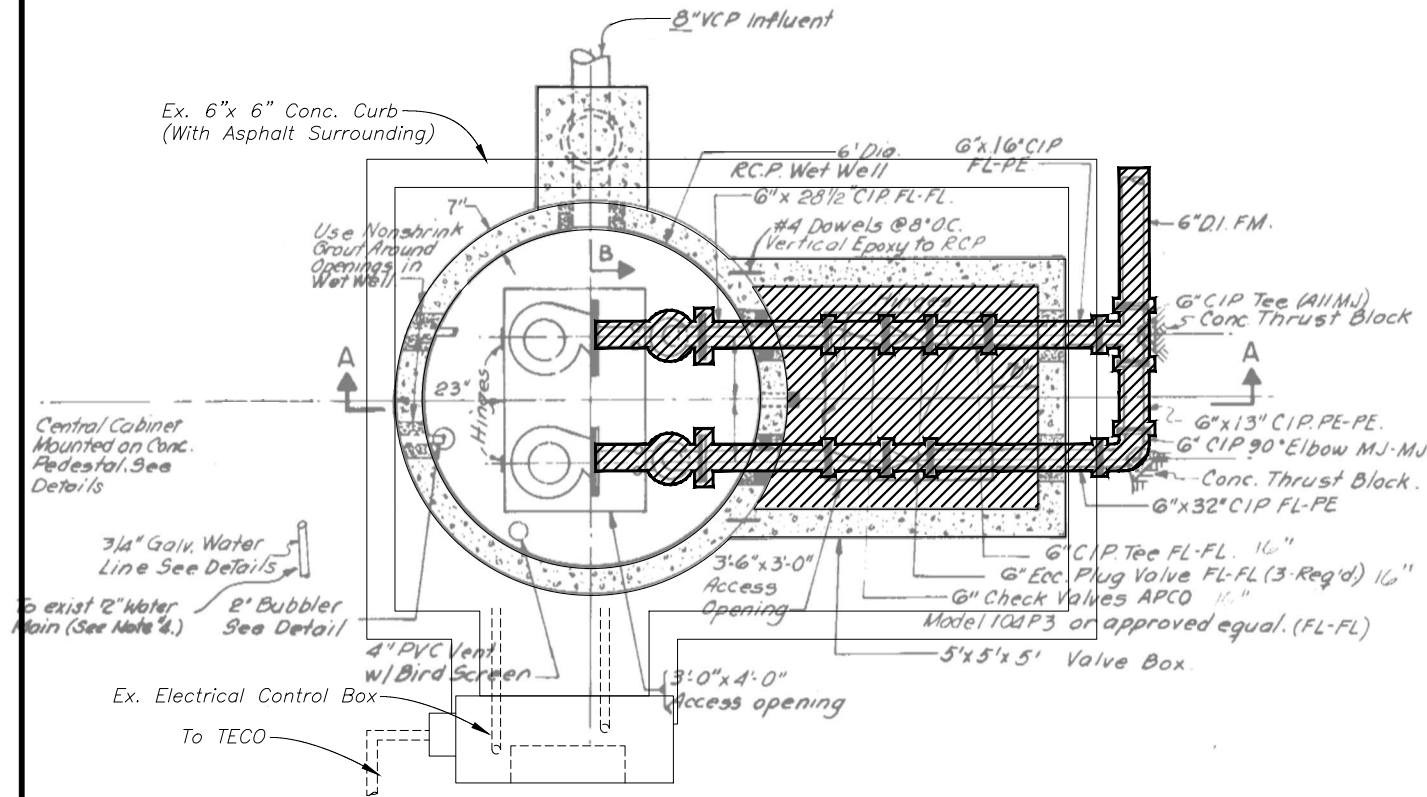
CITY of TAMPA
WASTEWATER DEPARTMENT

MISCELLANEOUS PUMPING STATION REPAIRS
WILDWOOD ACRES PUMPING STATION - SITE PLAN

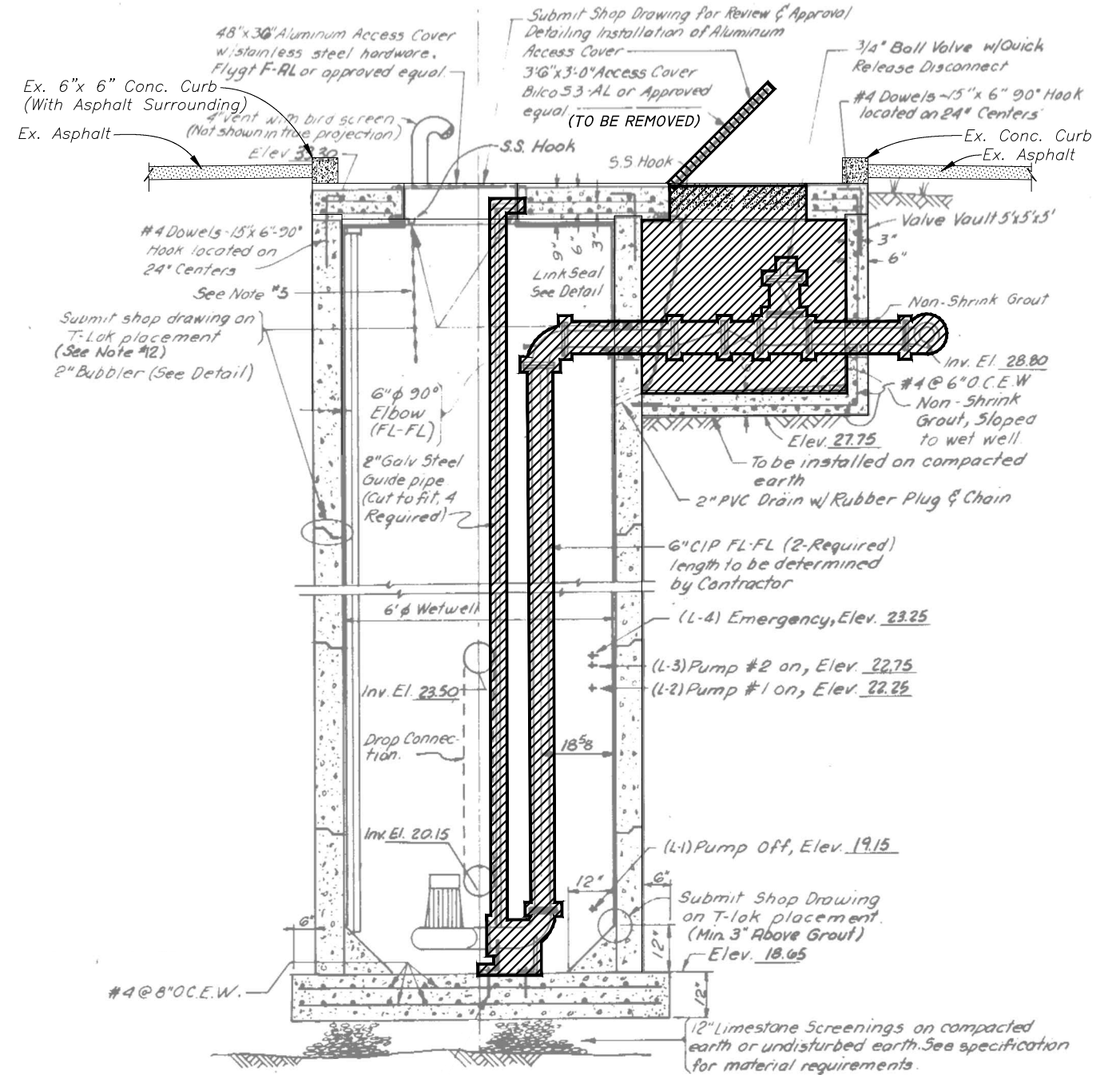
W.O. 5935
SHEET
55
OF 61



HATCHED AREAS ON THIS SHEET INDICATE PIPING, FITTINGS AND VALVES TO BE REMOVED



SECTIONAL PLAN
NOT TO SCALE



SECTION A-A
NOT TO SCALE

BUBBLER LINE CONTROLS
 ■ L-1 LOW LEVEL
 ■ BOTH PUMPS OFF
 ■ CHANGE PUMP SEQU

User: ss6k Drawing Name: K:\MW_Projects\2012\2012_5935_Various Pumping Station Improvements\DWG\5935-Wildwood P.S.dwg Layout- Jun 20, 2013 - 3:14pm

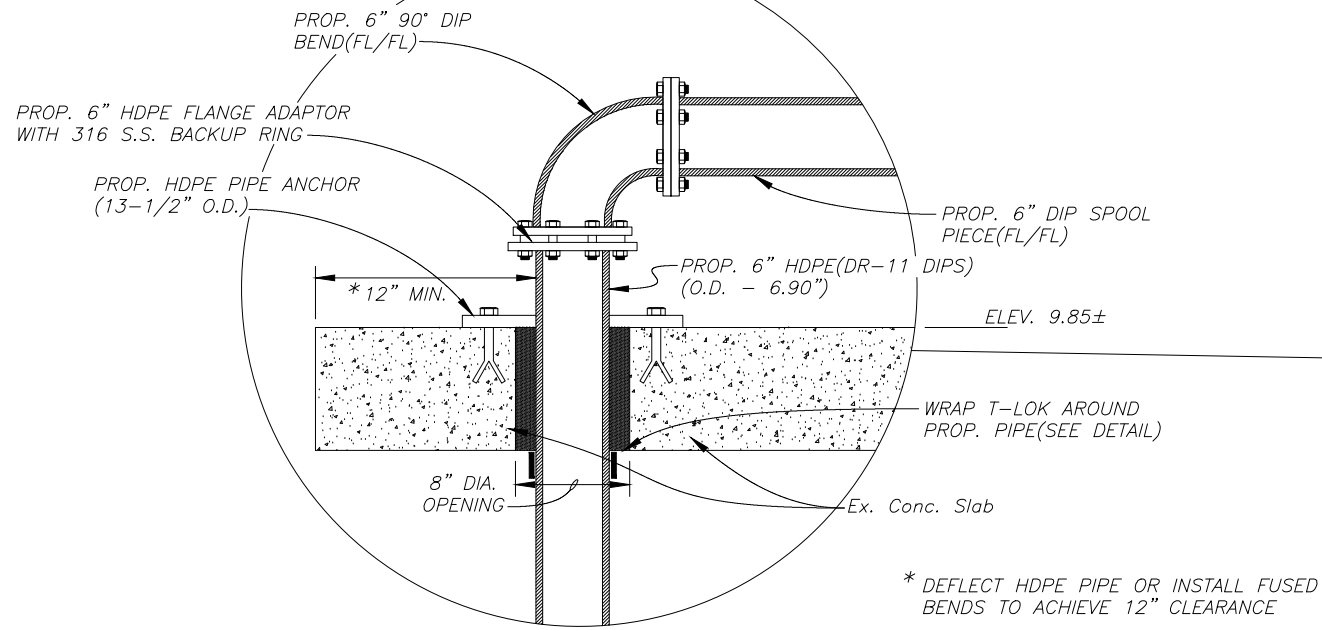
No.	DATE	REVISIONS
3		
2		
1		

DES: V.T.
 DRN: BB
 CKD:
 DATE:

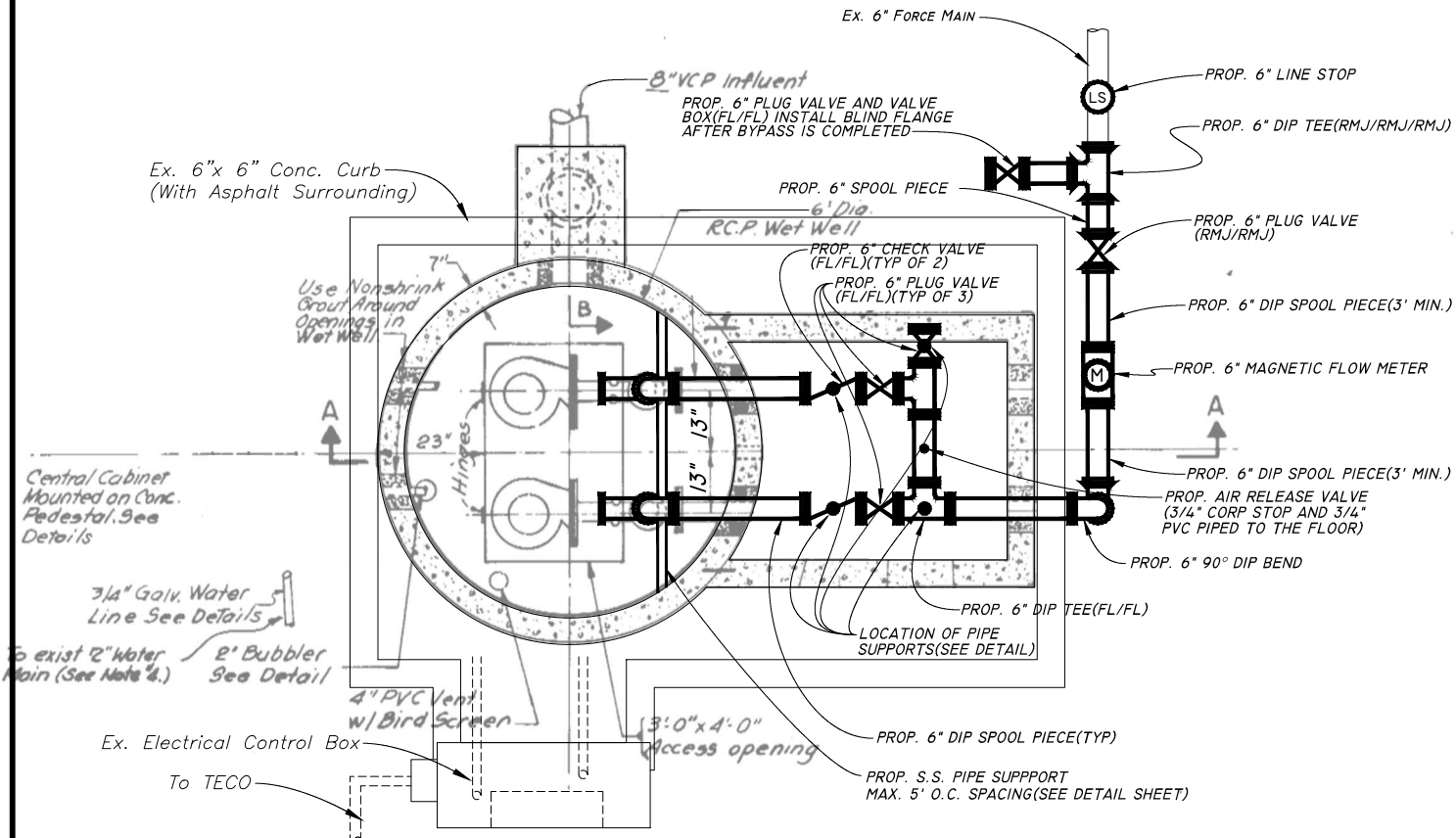
CITY of TAMPA
WASTEWATER DEPARTMENT

MISCELLANEOUS PUMPING STATION REPAIRS
 WILDWOOD ACRES PUMPING STATION - EXISTING
 SECTIONS

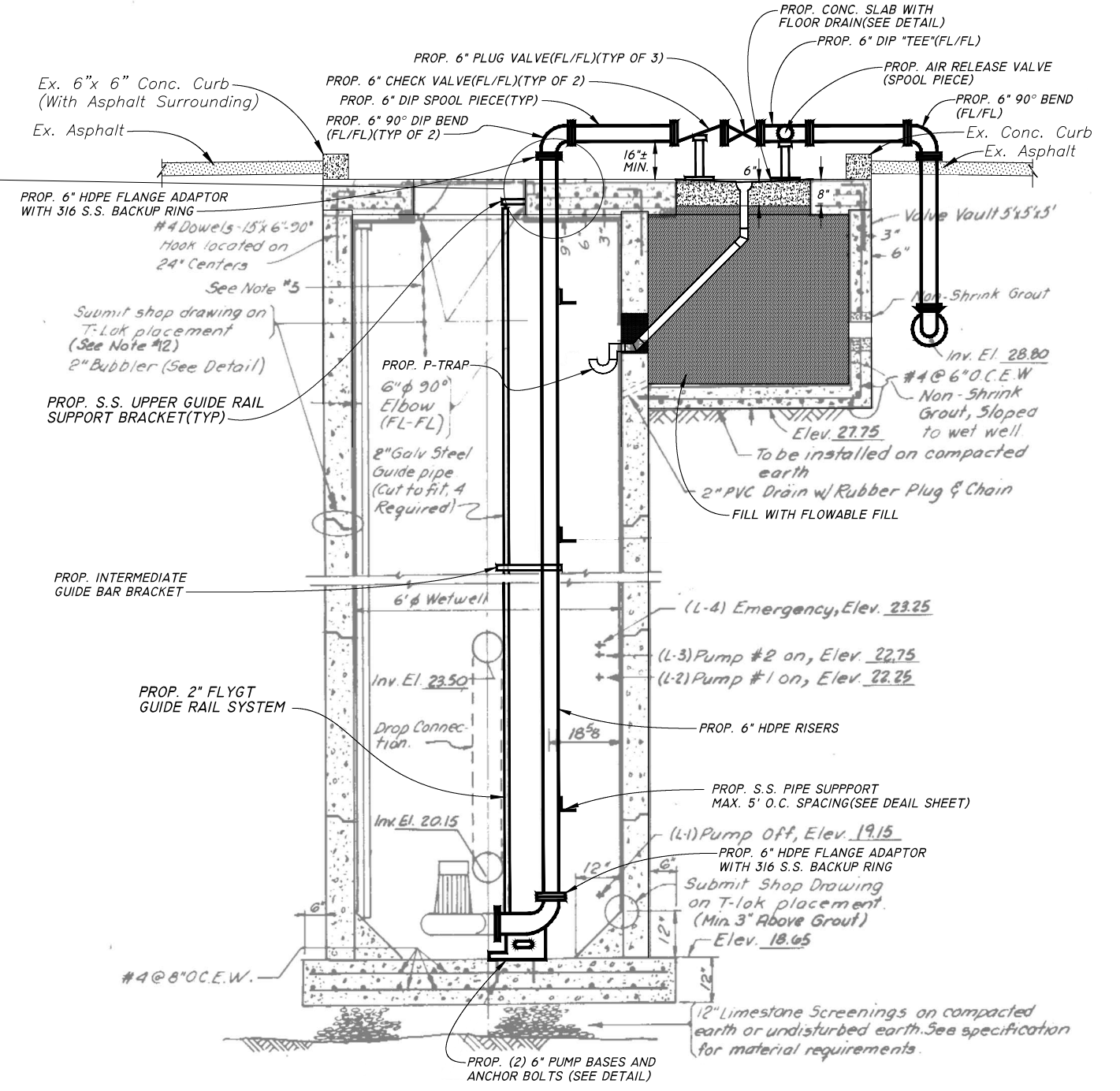
W.O. 5935
 SHEET
 56
 OF 61



* DEFLECT HDPE PIPE OR INSTALL FUSED BENDS TO ACHIEVE 12" CLEARANCE



SECTIONAL PLAN
NOT TO SCALE



SECTION A-A
NOT TO SCALE

User: ssdk Drawing Name: K:\MW_Projects\2012\5935_Various Pumping Station Improvements\DWG\5935-Wildwood P.S.dwg Layout- Jun 20, 2013 - 3:14pm

No.	DATE	REVISIONS
3		
2		
1		

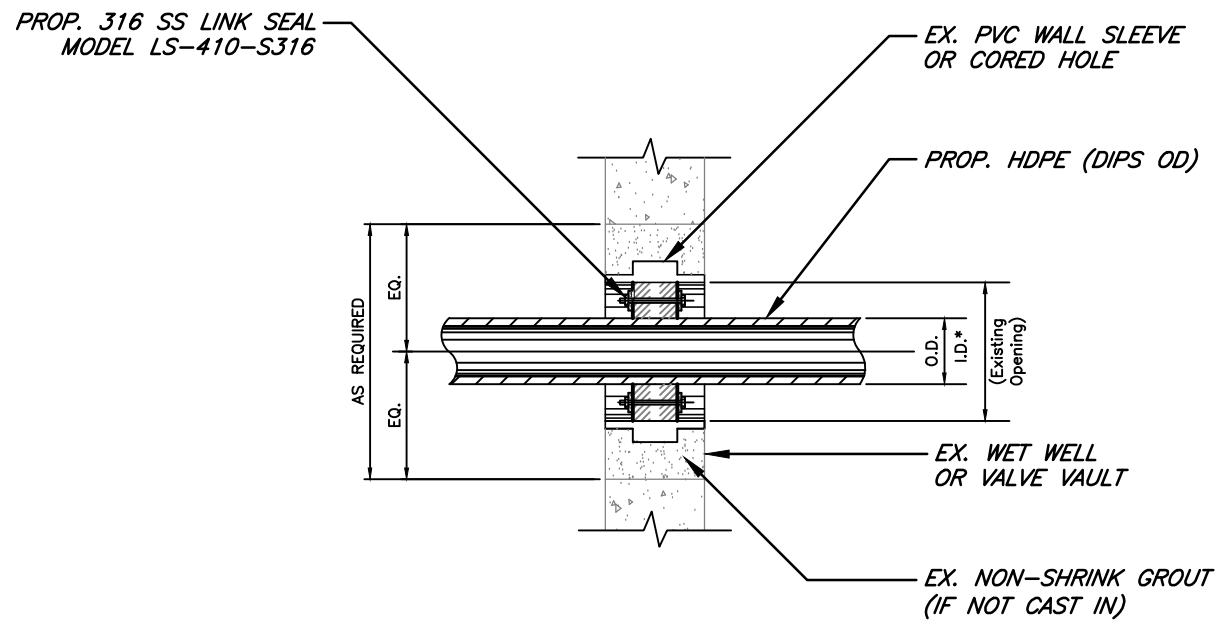
JACINTO CARLOS FERRAS, P.E. #49454
DESIGN DIVISION HEAD
WASTEWATER DEPARTMENT

DES: V.T.
DRN: BB
CKD:
DATE:

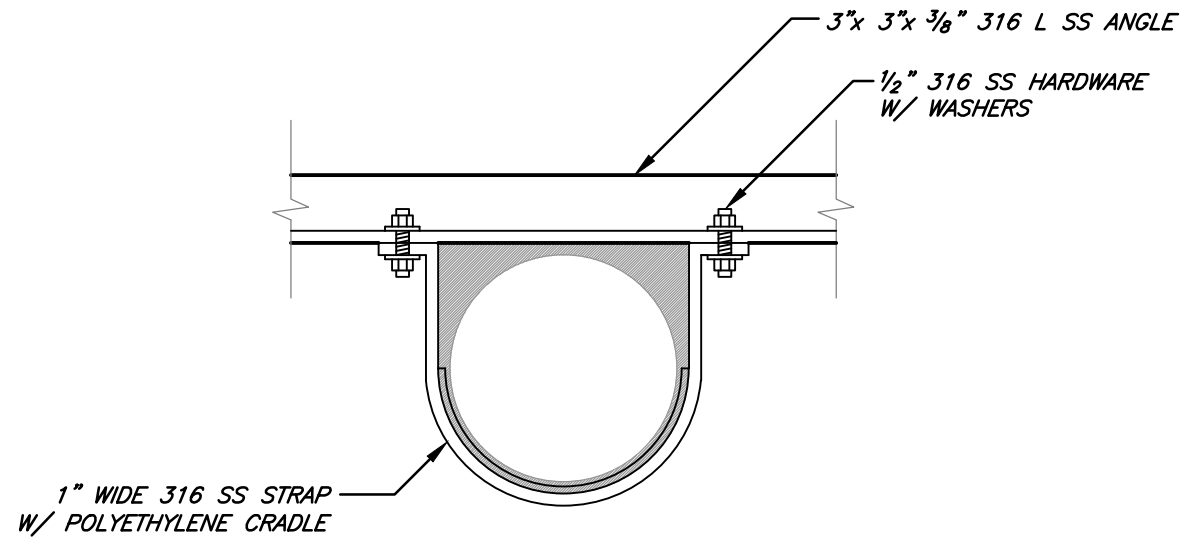
CITY of TAMPA
WASTEWATER DEPARTMENT

MISCELLANEOUS PUMPING STATION REPAIRS
WILDWOOD ACRES PUMPING STATION -
PROPOSED SECTIONS

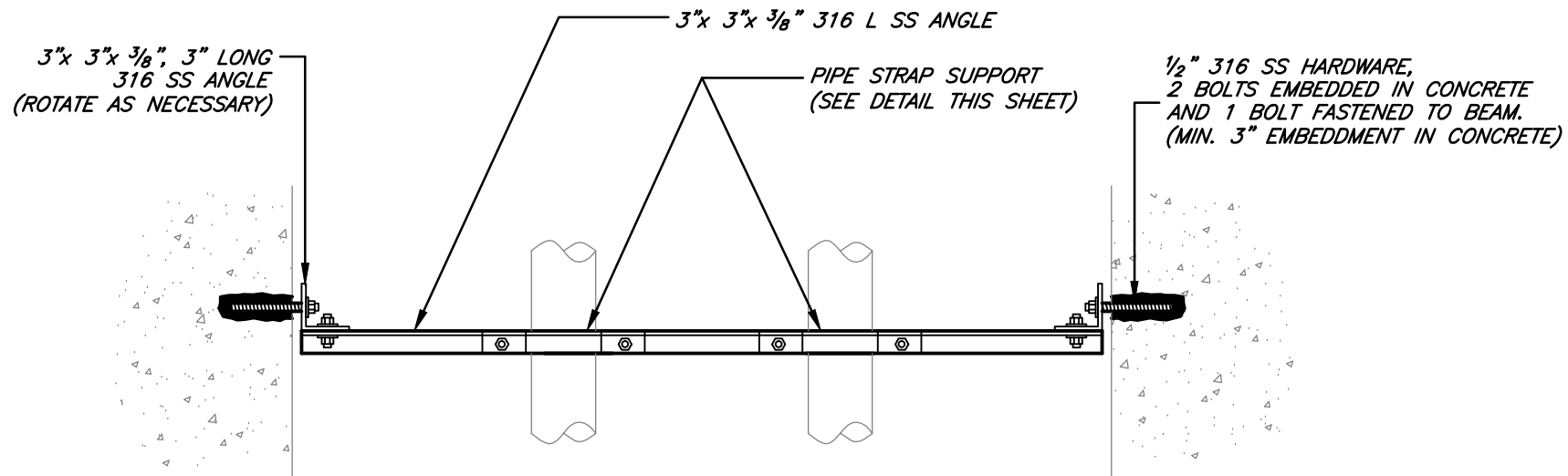
W.O. 5935
SHEET
57
OF 61



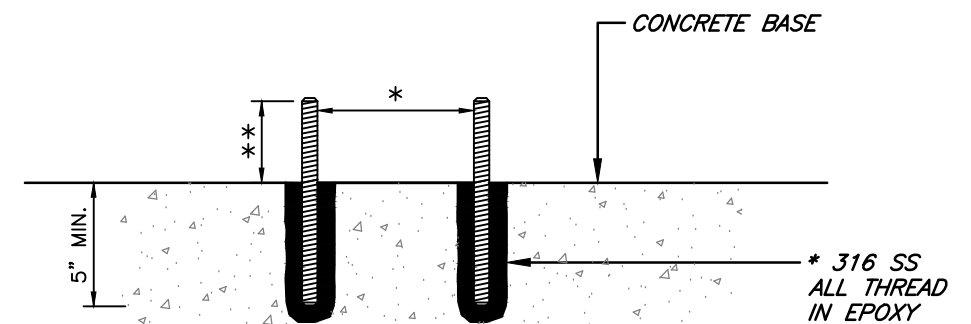
LINK SEAL DETAIL
N.T.S.



PIPE STRAP SUPPORT
N.T.S.



RISER PIPE SUPPORT ASSEMBLY
N.T.S.



ANCHOR BOLT DETAIL
N.T.S.

ANCHOR BOLTS SIZE AND ALIGNMENT SHALL BE AS RECOMMENDED BY PUMP MANUFACTURER. (SEE TABLE FOR PUMP MODEL)

** CONTRACTOR SHALL PROVIDE A MINIMUM 1/2 INCH BOLT PROTRUSION ABOVE THE FINAL NUT LOCATION AFTER THE NUT IS TIGHTENED TO MANUFACTURE'S RECOMMENDATION.

User: ss8k Drawing Name: K:\WW_Projects\2012\2012_5935_Various Pumping Station Improvements\DWG\NOTES AND DETAILS.dwg Layout- Jun 25, 2013 - 8:38am CTB - WW.CTB

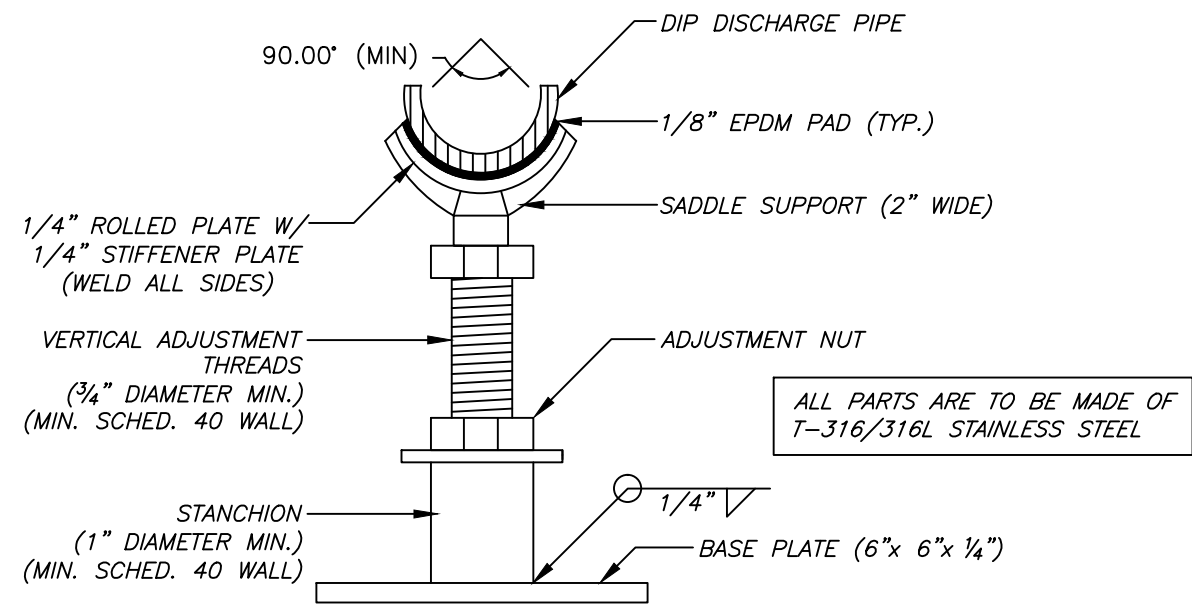
No.	DATE	REVISIONS
3		
2		
1		

DES: V.T.
DRN: M.R.L.
CKD:
DATE:

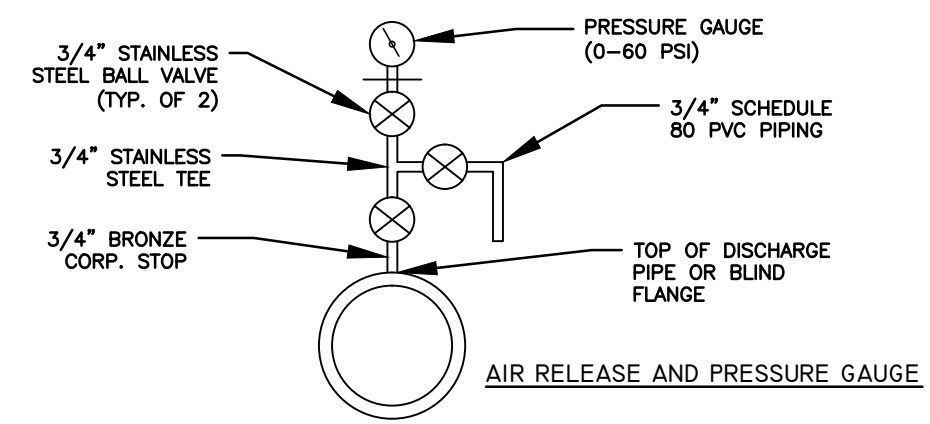
CITY of TAMPA
WASTEWATER DEPARTMENT

MISCELLANEOUS PUMPING STATION REPAIRS
DETAILS SHEET 1

W.O. 5935
SHEET
58
OF 61

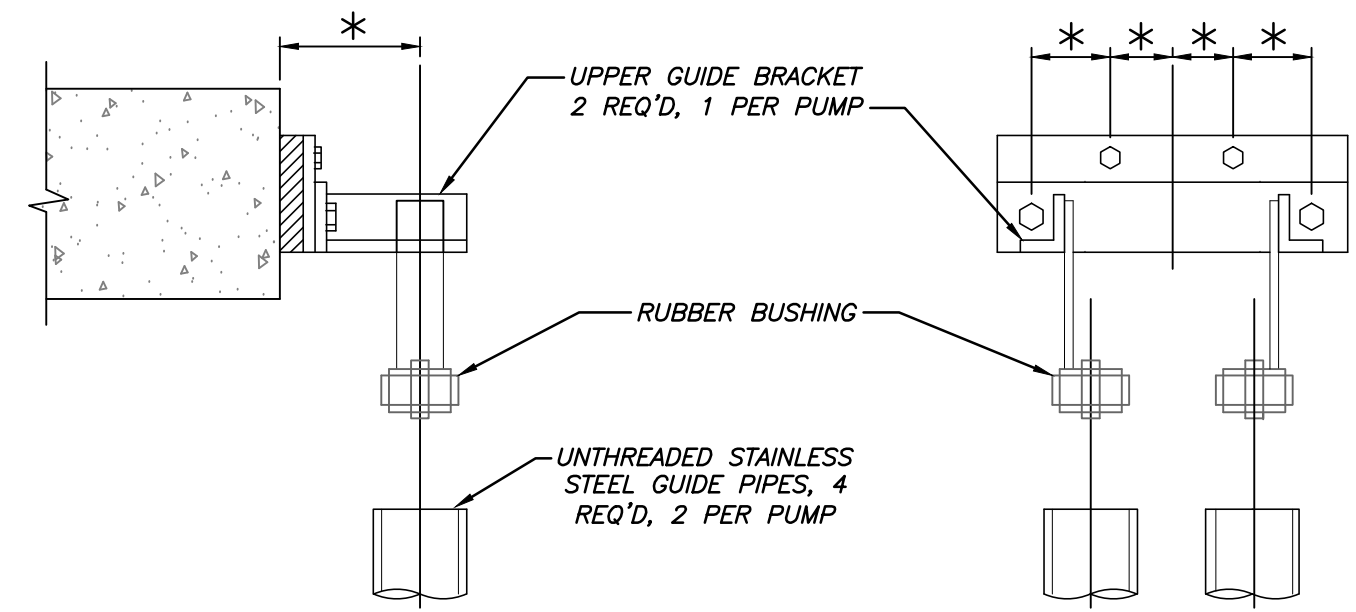


SECTION VIEW - STAINLESS STEEL STANCHION SADDLE SUPPORT
N.T.S.

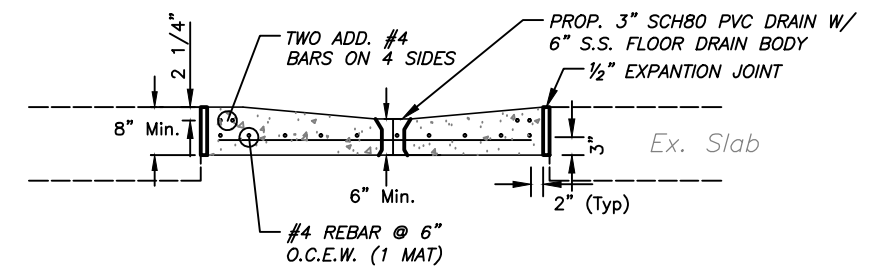


CONTRACTOR SHALL TAP AND DRILL ONE 3/4" CORPORATION STOP WITH AIR RELEASE VALVE AND PRESSURE GAUGE ASSEMBLY. PVC PIPE AND FITTINGS (SCH80) SHALL BE PROVIDED TO DIRECT FLOW FROM THE BALL VALVE DOWNWARD TO THE FLOOR.

* PER PUMP MANUFACTURER'S RECOMMENDATION

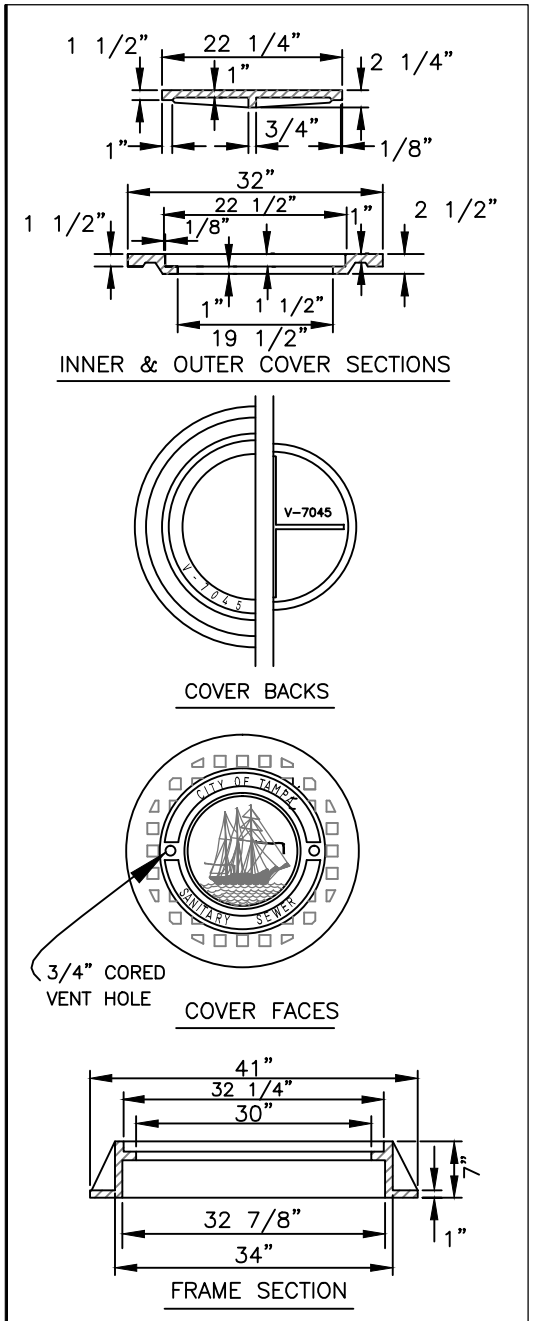
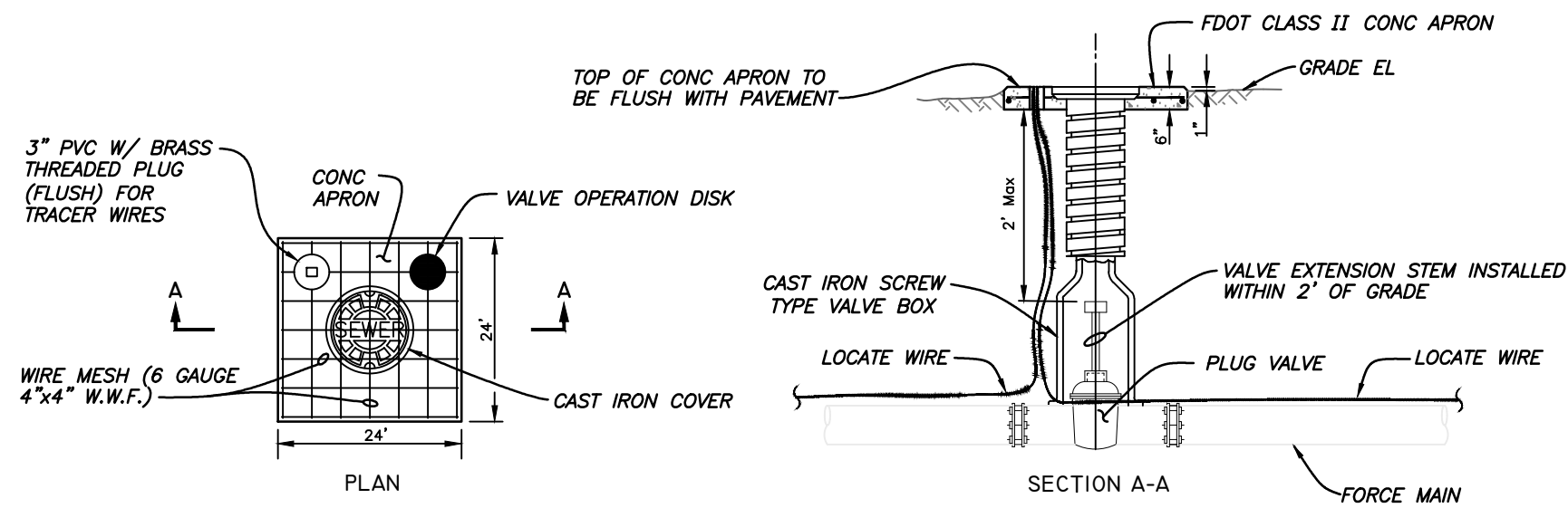
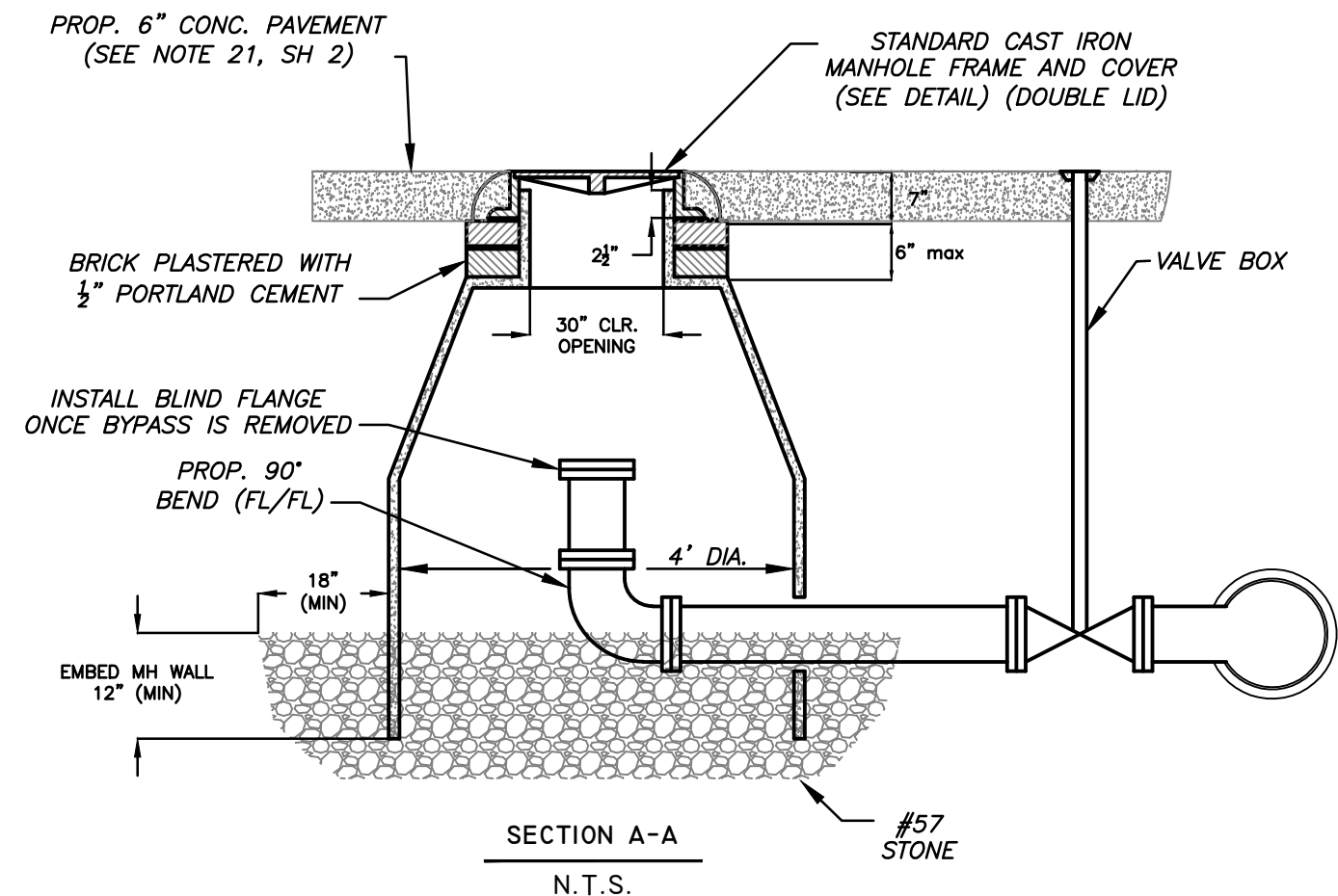


GUIDE BRACKET DETAIL
NOT TO SCALE



User: ss8k Drawing Name: K:\WW_Projects\2012\2012_5935_Various Pumping Station Improvements\DWG\notes and details.dwg Layout: Jun 25, 2013 - 8:38am CTB - WW.CTB

JACINTO CARLOS FERRAS, P.E. #49454 DESIGN DIVISION HEAD WASTEWATER DEPARTMENT	No.	DATE	REVISIONS	DES: V.T.	CITY of TAMPA WASTEWATER DEPARTMENT	MISCELLANEOUS PUMPING STATION REPAIRS DETAILS SHEET 2	W.O. 5935
	3			DRN: M.R.L.			SHEET
	2			CKD:			59
	1			DATE:			OF 61



FOR MH'S OF SEWERS 27" OR GREATER IN
DIAMETER:
VULCAN FOUNDRY NO. V-7045,
U.S. FOUNDRY NO. 230-AB-M, OR EQUAL

HEAVY DUTY CAST IRON MANHOLE
FRAME & COVER DETAILS
N.T.S.

User: ss8k Drawing Name: K:\WW_Projects\2012\2012_5935_Various Pumping Station Improvements\DWG\notes AND DETAILS.dwg
Layout- Jun 25, 2013 - 8:38am CTB - WWC.TB

JACINTO CARLOS FERRAS, P.E. #49454
DESIGN DIVISION HEAD
WASTEWATER DEPARTMENT

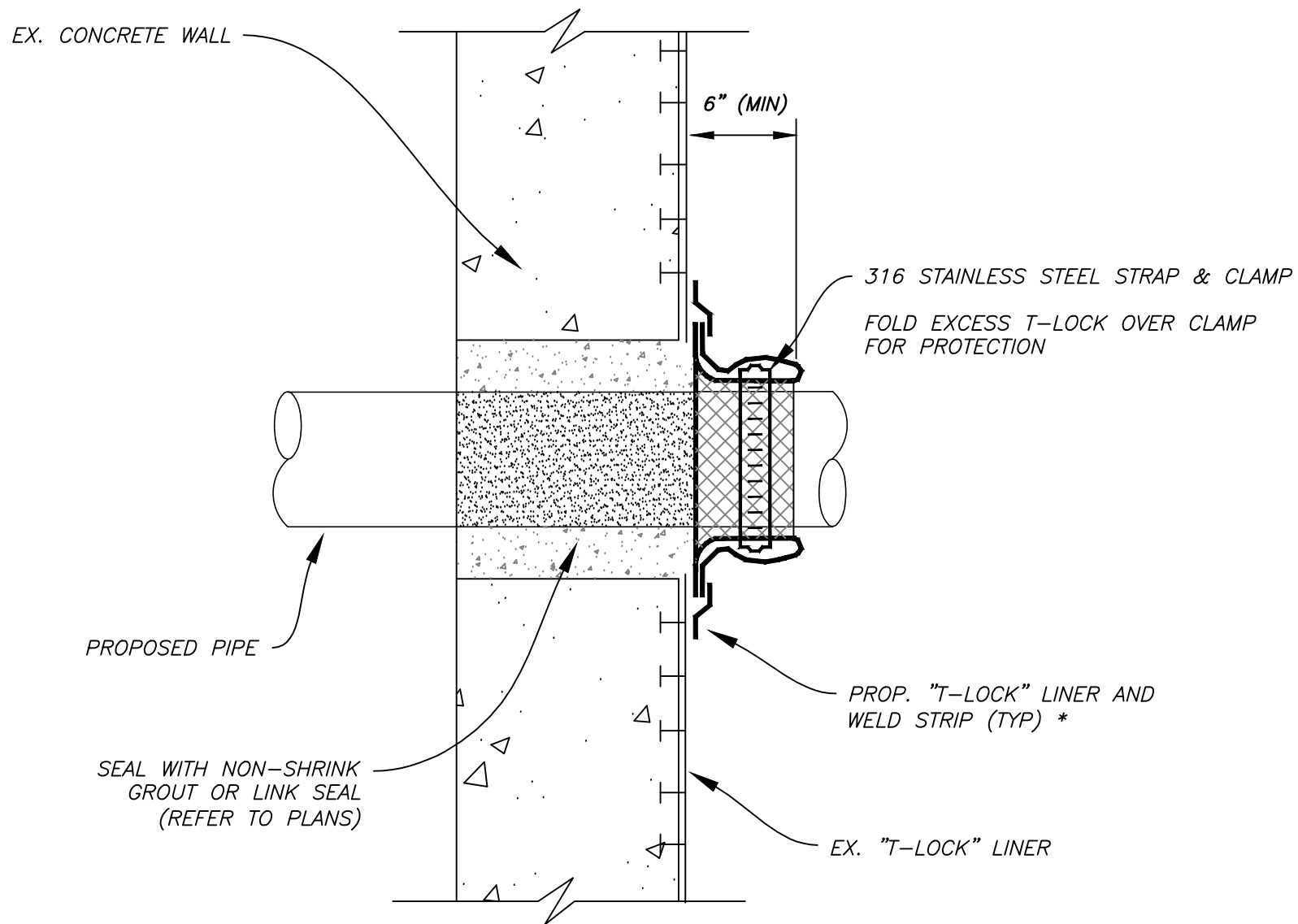
No.	DATE	REVISIONS
3		
2		
1		

DES: V.T.
DRN: M.R.L.
CKD:
DATE:

CITY of TAMPA
WASTEWATER DEPARTMENT

MISCELLANEOUS PUMPING STATION REPAIRS
DETAILS SHEET 3

W.O. 5935
SHEET
60
OF 61



PIPE TO LINED STRUCTURE
NOT TO SCALE

* ALTERNATIVE CONTRACTOR MAY
COAT WITH 125MILS C.P.P. AND
OVERLAP EXISTING T-LOCK BY 3"

User: ss8k Drawing Name: K:\WW_Projects\2012\2012_5935_Various Pumping Station Improvements\DWG\notes and details.dwg
Layout- Jun 25, 2013 - 8:38am CTB - WW.CTB

No.	DATE	REVISIONS
3		
2		
1		

DES: V.T.
DRN: M.R.L.
CKD:
DATE:

CITY of TAMPA
WASTEWATER DEPARTMENT

MISCELLANEOUS PUMPING STATION REPAIRS

DETAILS SHEET 4

W.O. 5935
SHEET
61
OF 61

JACINTO CARLOS FERRAS, P.E. #49454
DESIGN DIVISION HEAD
WASTEWATER DEPARTMENT